

RESTRICTEDBR 333(1)
Original**AERIAL OUTFIT AGT**

SUMMARY OF DATA

AGT

PURPOSE

A VHF aerial for mounting on a 78 ft mast.

MAJOR UNITS

A.M. 108/1490 Aerial Type 220A

BRIEF DESCRIPTION

A ground-plane, quarter-wave monopole. The radiating element may be adjusted in length to suit the frequency in use. Normally for vertically polarised radiation.

FREQUENCY BAND

100-156 MHz

WEIGHT

Aerial 12 lb

IMPEDANCE

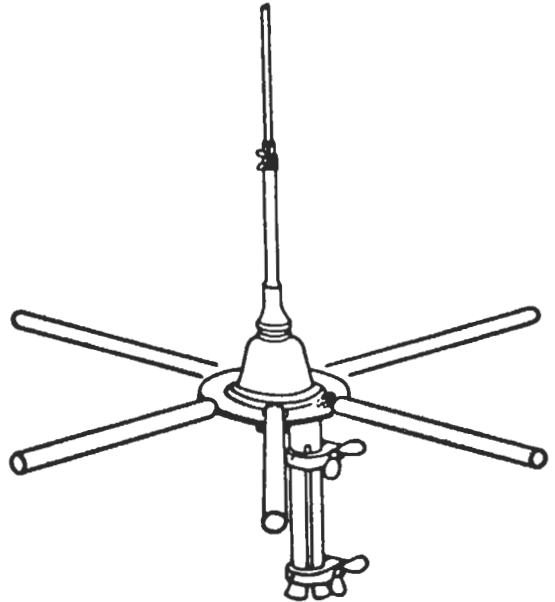
45 ohm nominal

HANDBOOK

BR 1610

ESTABLISHMENT LIST

E702

**RESTRICTED**