

RESTRICTEDBR 333(1)
Original**AERIAL OUTFIT AQA****AQA****SUMMARY OF DATA****PURPOSE**

A VHF aerial, normally mounted to accept vertically and horizontally polarised radiation.

MAJOR UNITS

AP 56130 Aerial Unit Design 7
 AP 71292 Junction Box
 AP 71000 R.F. Transformer
 AP 57155 Pedestal Unit Design 3

BRIEF DESCRIPTION

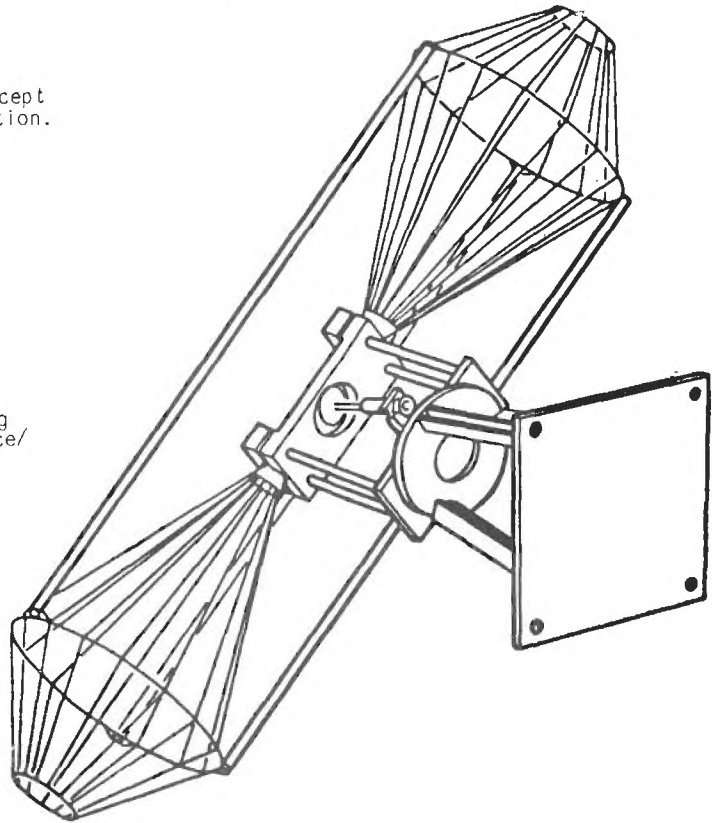
A broadband, half wave dipole, having no provision in the aerial itself for balance/unbalance transformation.

FREQUENCY BAND

130-210 MHz

WEIGHT

Aerial	30 lb
Junction Box	5 lb
R.F. Transformer	13½ lb
Pedestal Unit	12 lb

**IMPEDANCE**

75 ohm nominal

HANDBOOK

BR 1610

ESTABLISHMENT LIST

E1209

INSTALLATION SPECIFICATION

B854/R1

RESTRICTED