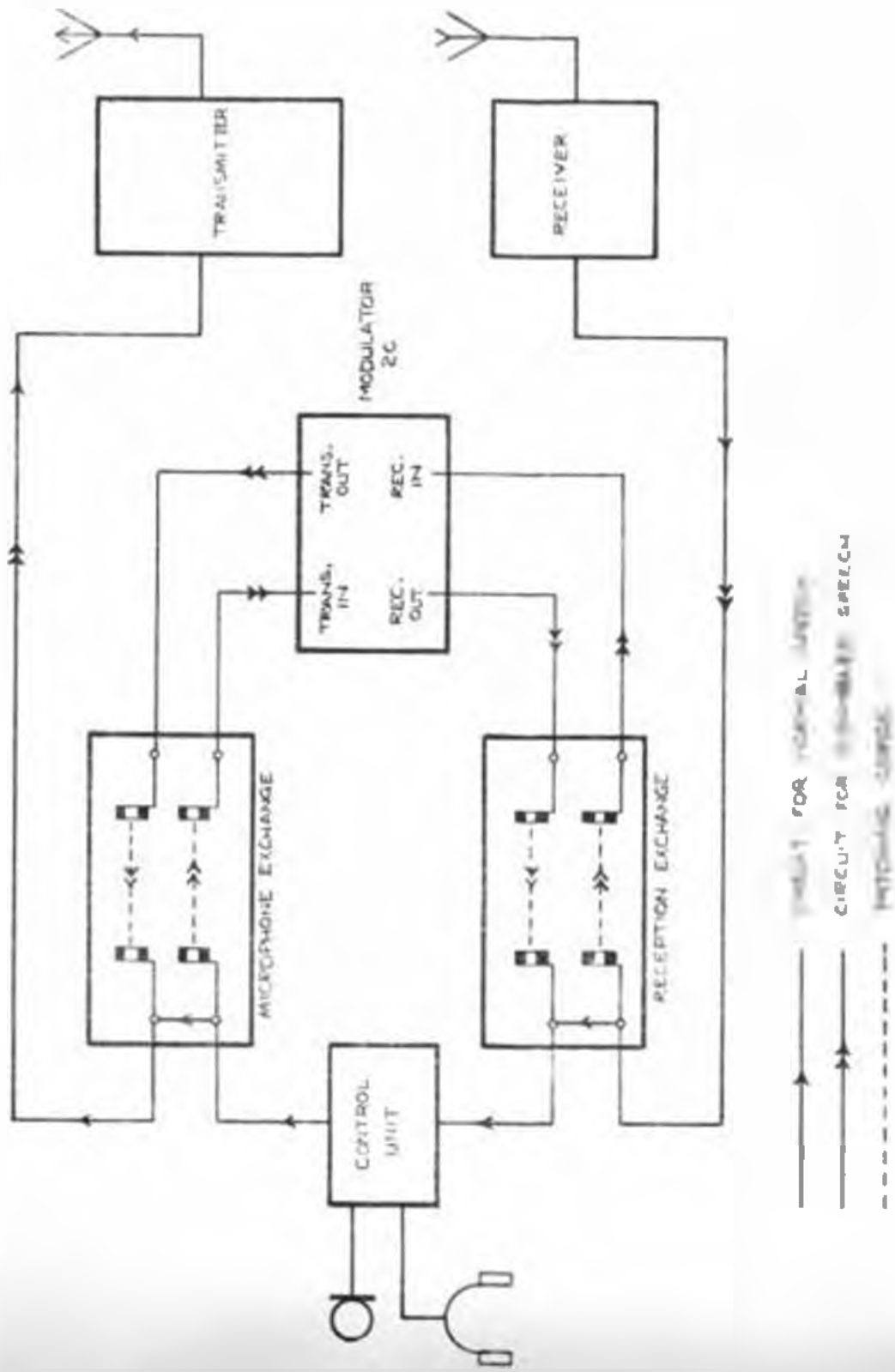


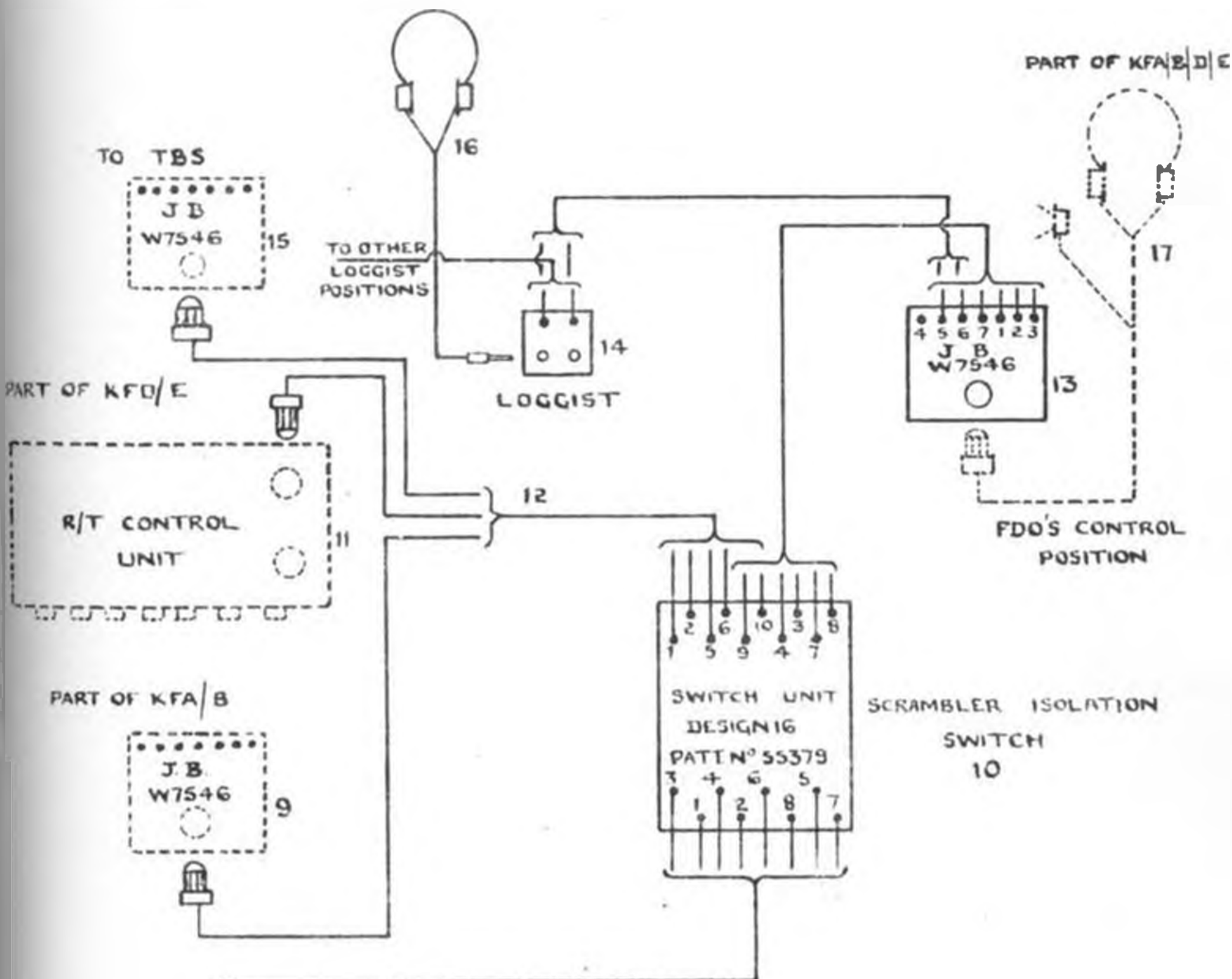
SPEECH CONTROL OUTFITS KGB-E

BASIC CIRCUIT.

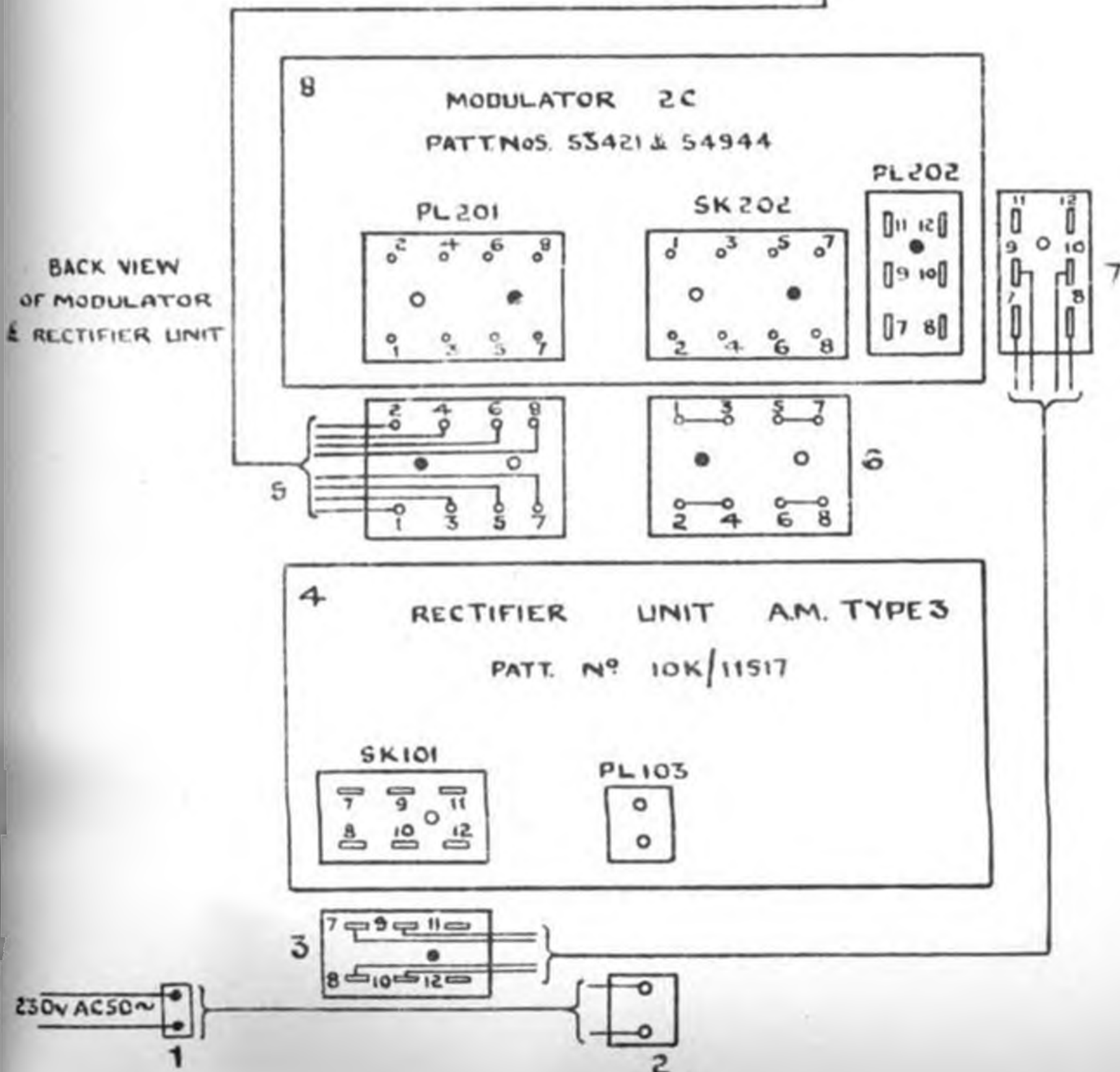


LINK - UP DIAGRAM

KGA LINK-UP DIAGRAM



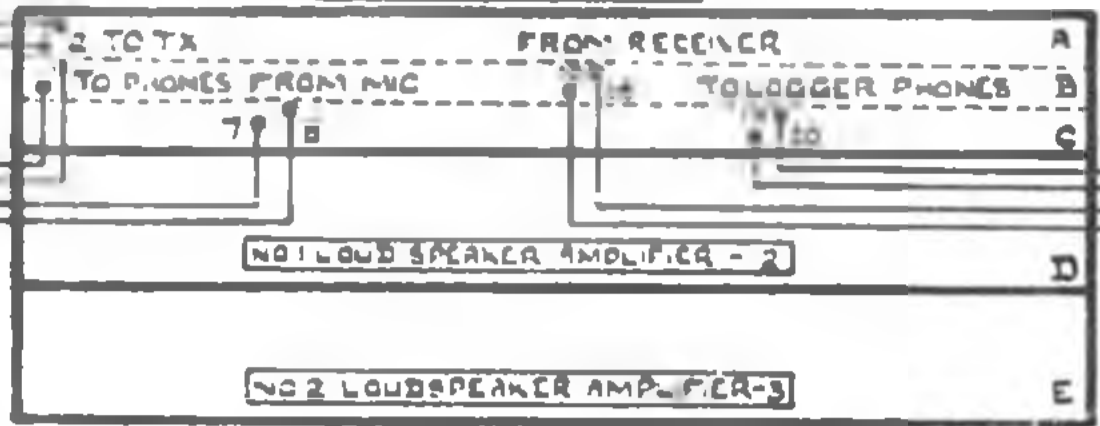
BACK VIEW OF MODULATOR & RECTIFIER UNIT



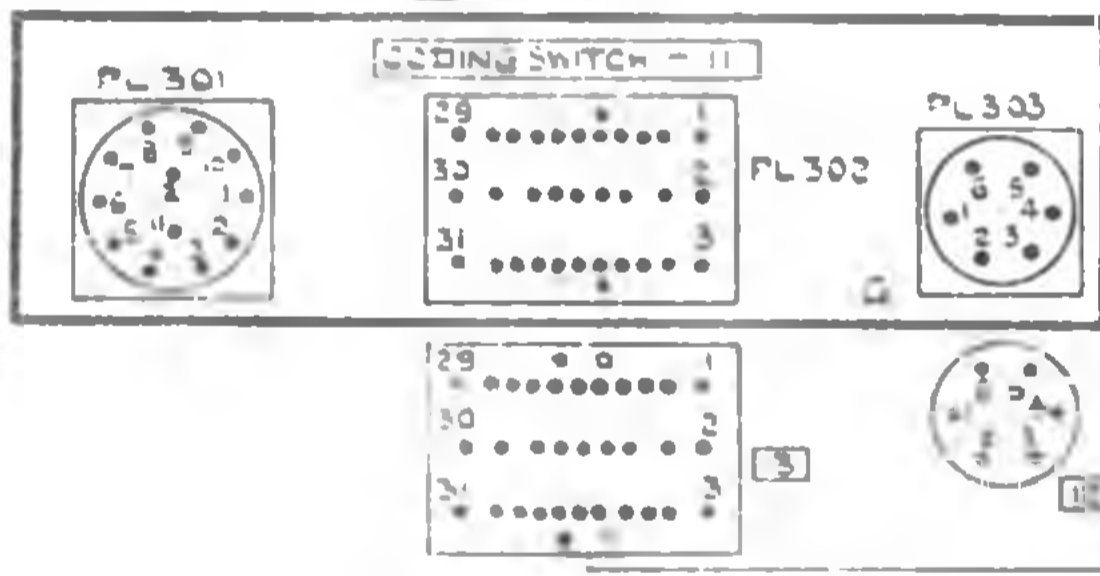
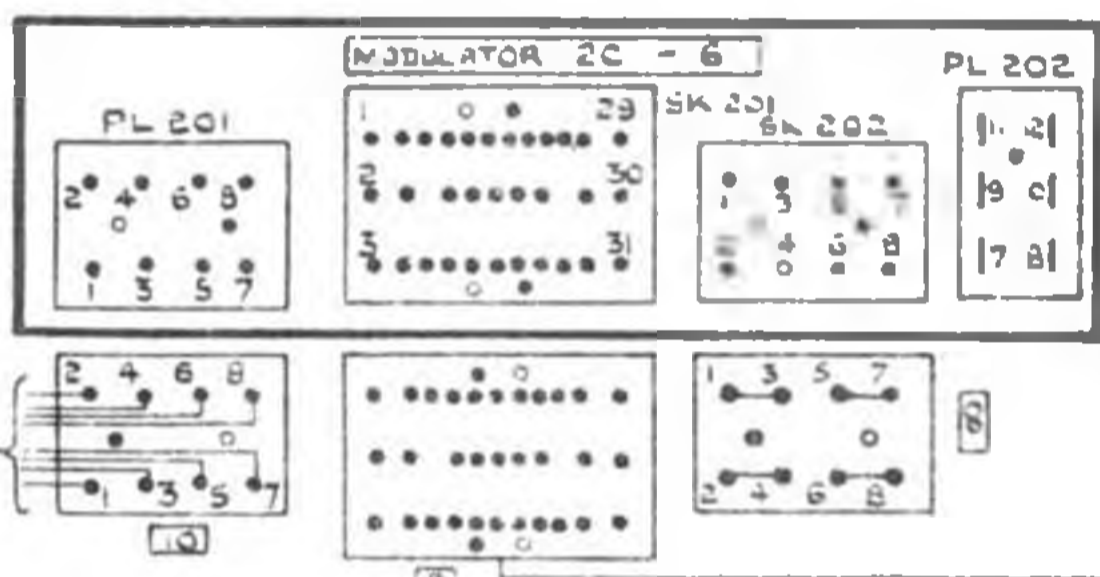
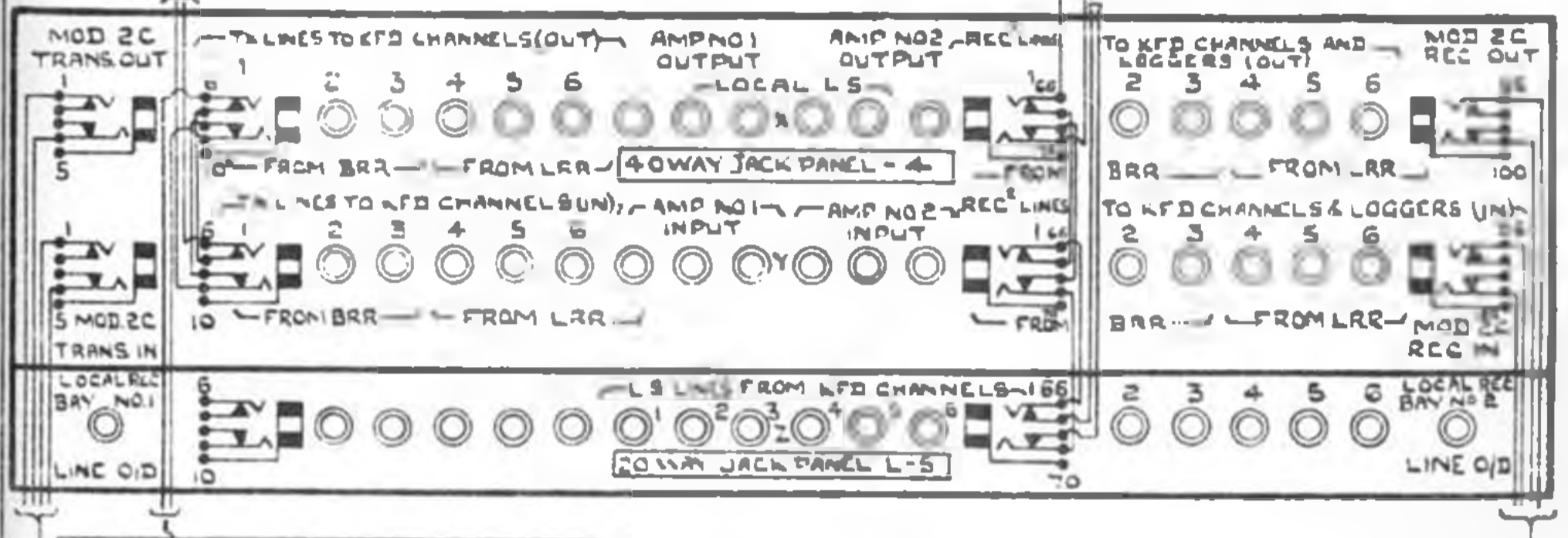
LINK UP DIAGRAM

KGC LINK UP DIAGRAM

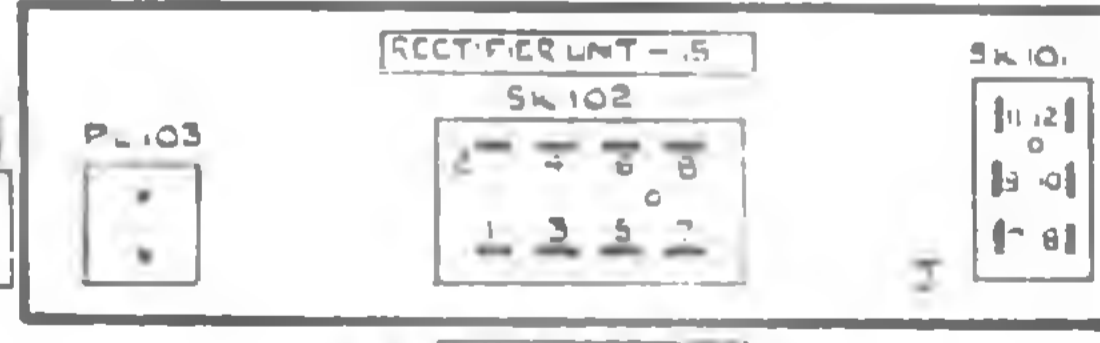
TERMINAL PANEL - 3



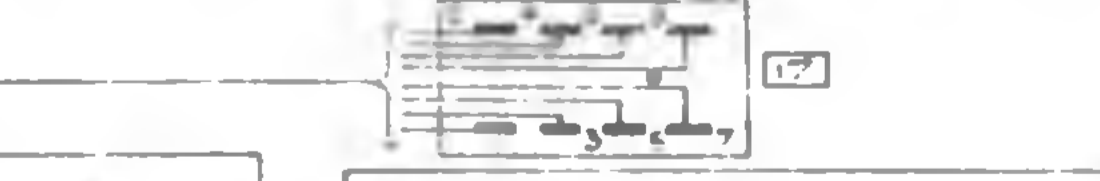
FRONT VIEW



BACK VIEW OF MODULATOR CODING SWITCH & RECTIFIER

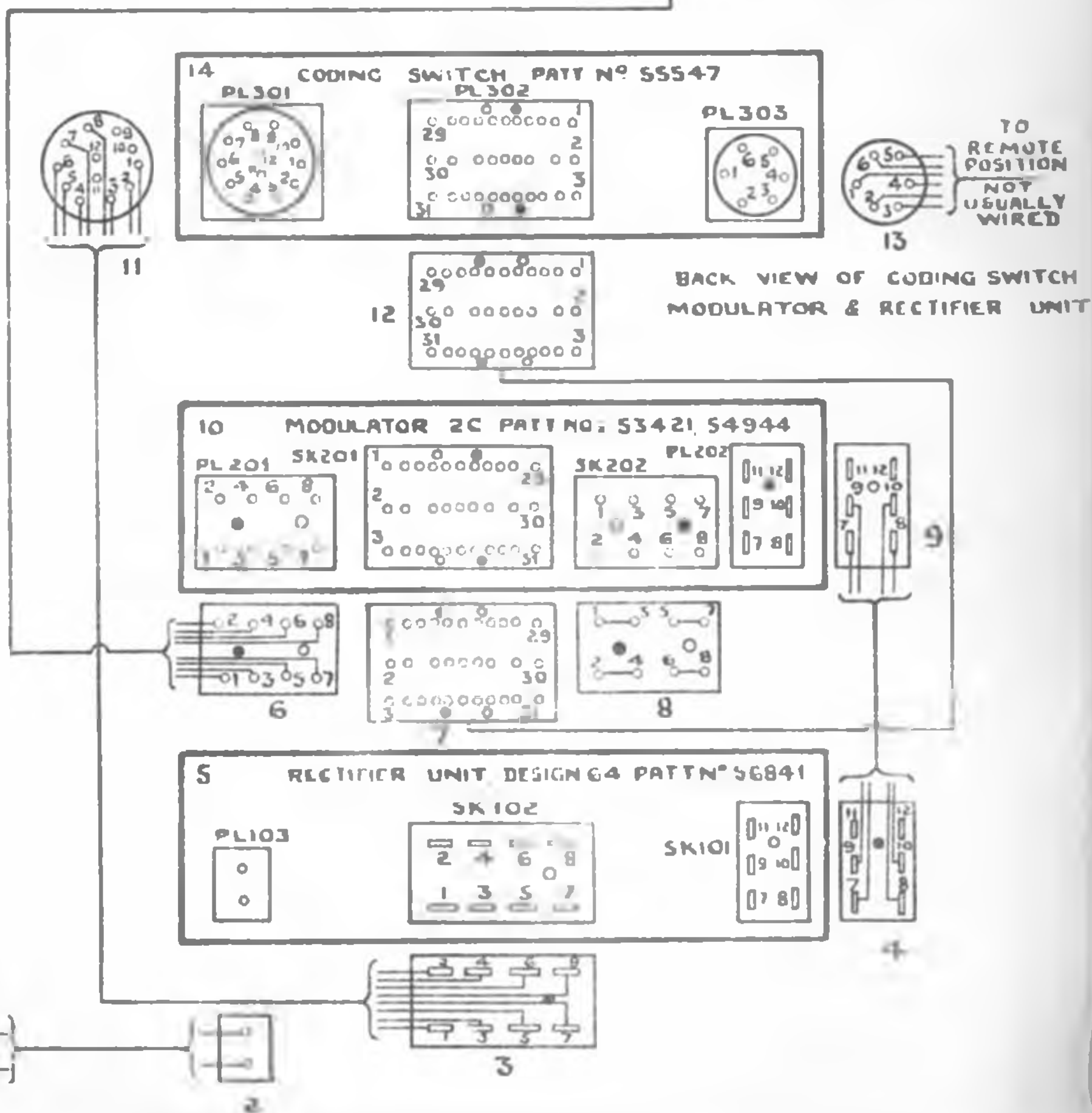
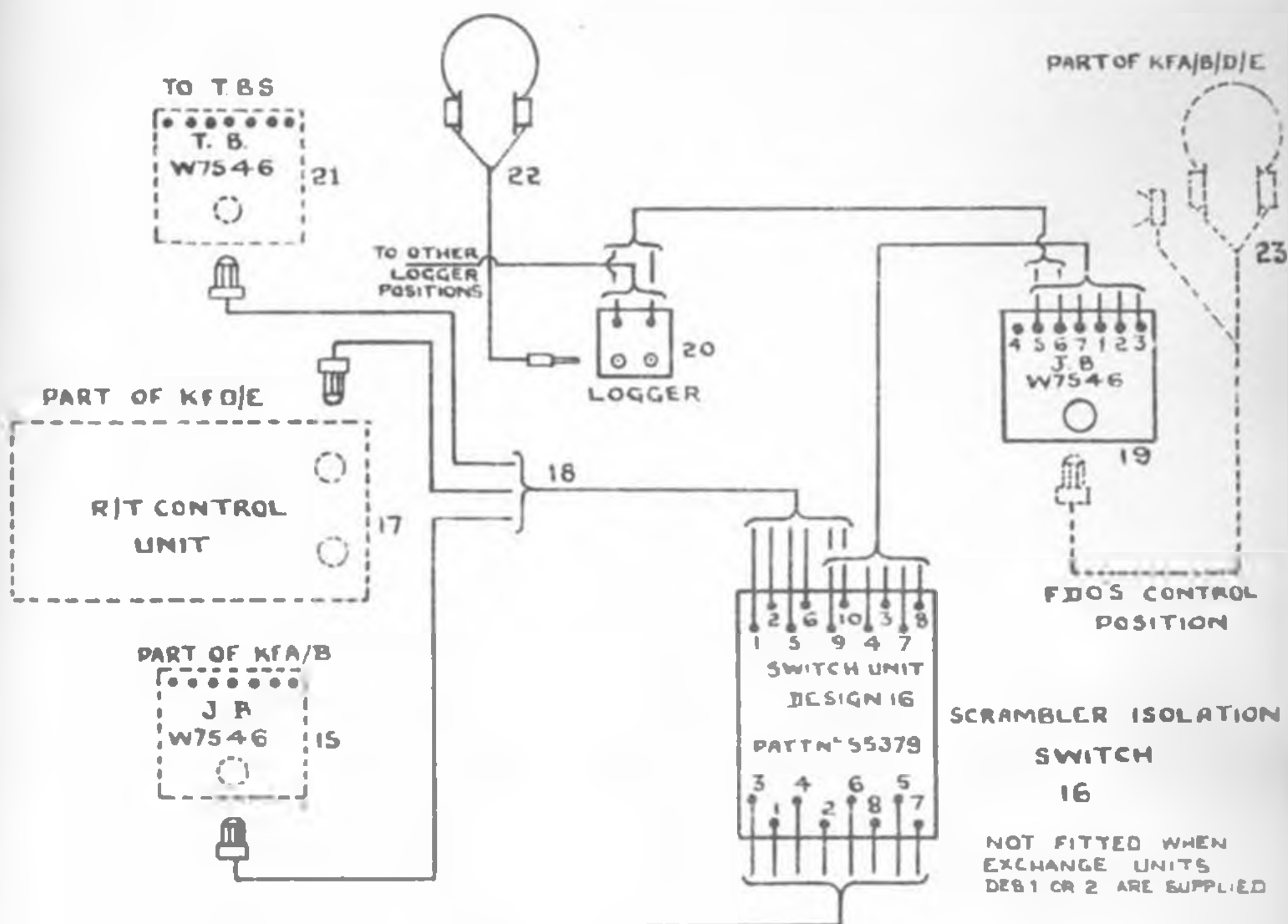


250V AC 50~



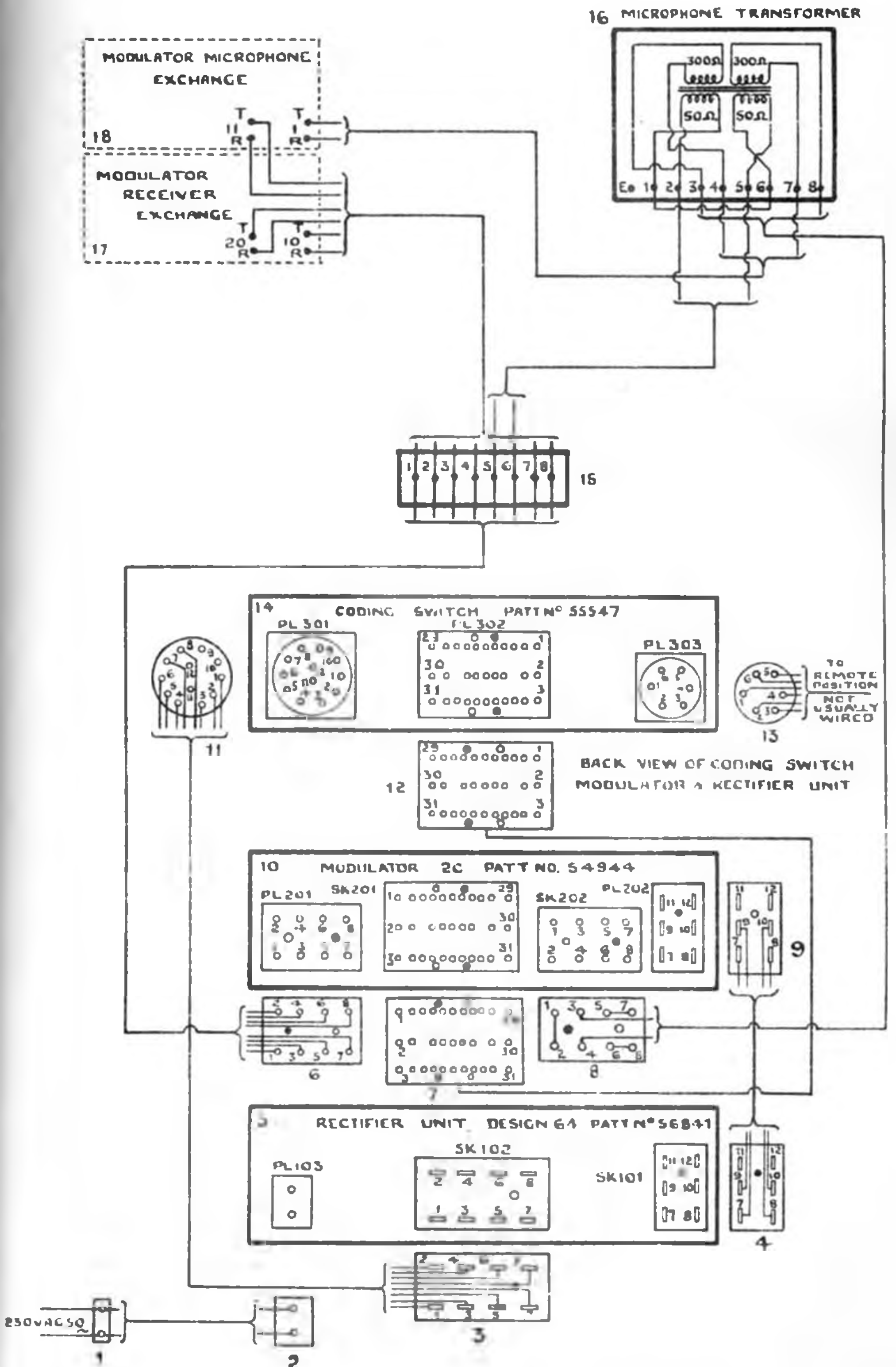
LINK-UP, DIAGRAM

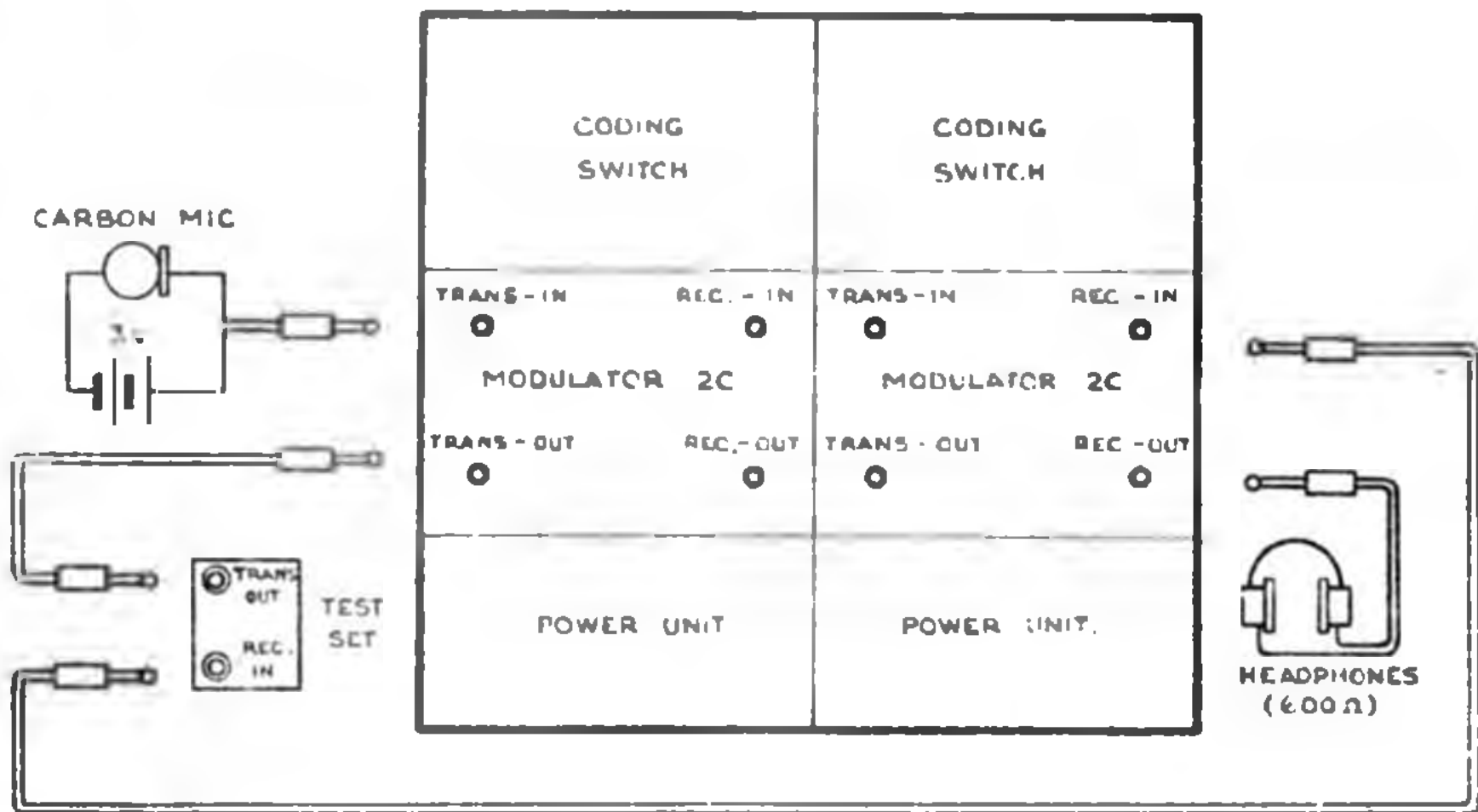
KGD
LINK-UP
DIAGRAM



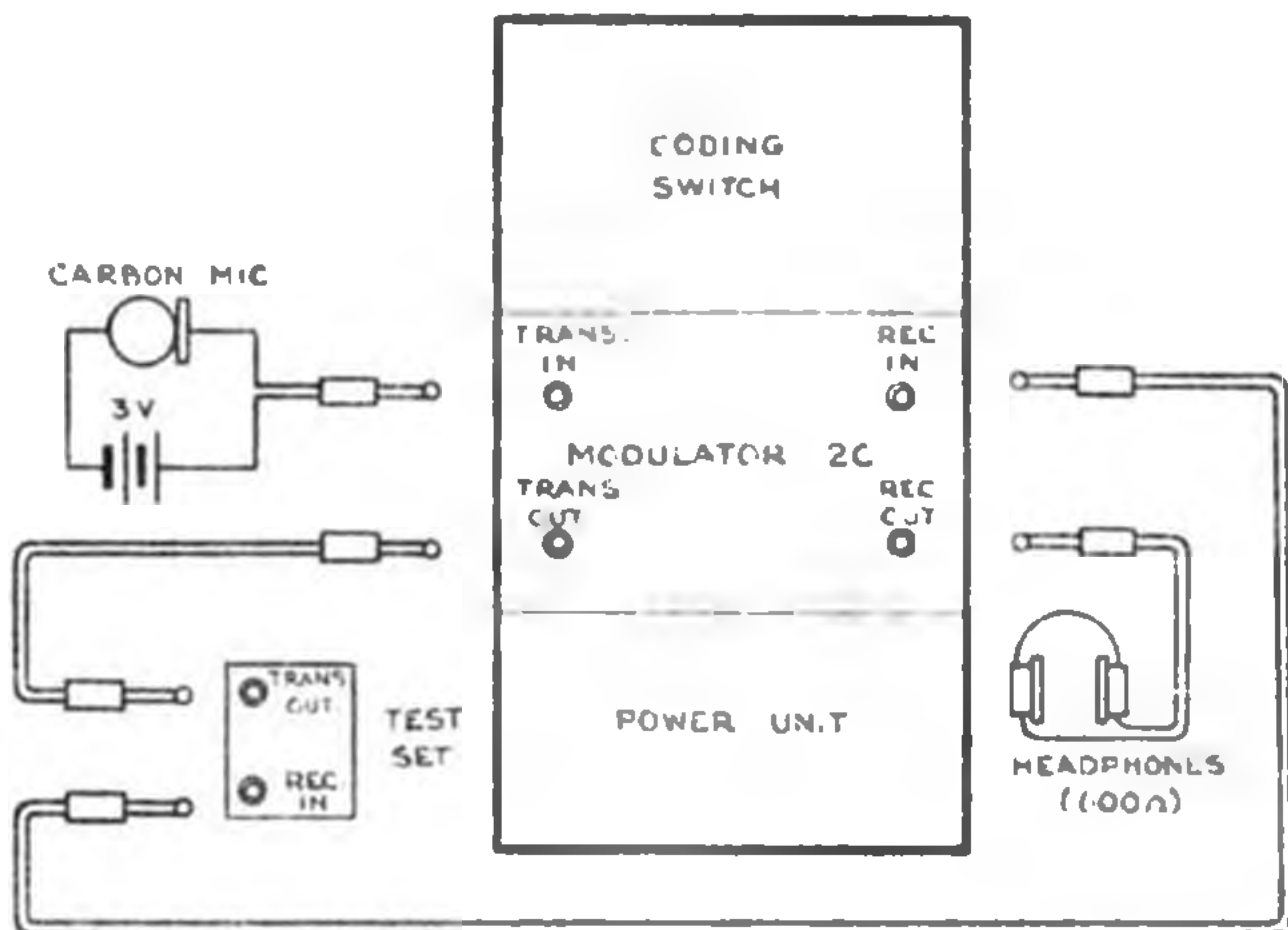
LINK-UP DIAGRAM

K G E
LINK-UP
DIAGRAM

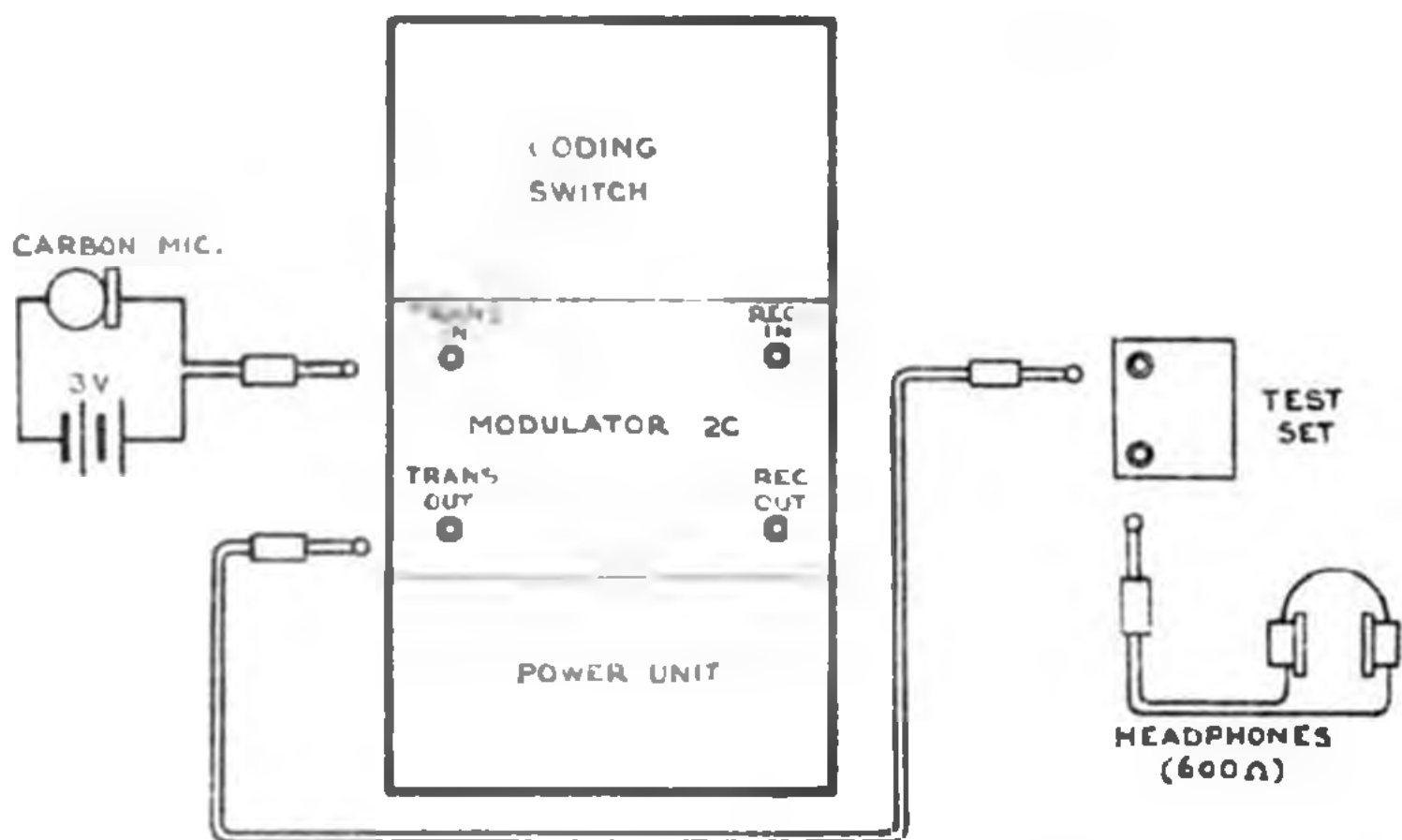




(a) SEPARATE TRANSMIT AND RECEIVE SIDE TEST.



(b) COMBINED TRANSMIT AND RECEIVE SIDE TEST.



(c) TRANSMIT SIDE TEST.

PAI I. 5J421 MODULATOR TYPE 2C
FRONT PANEL

