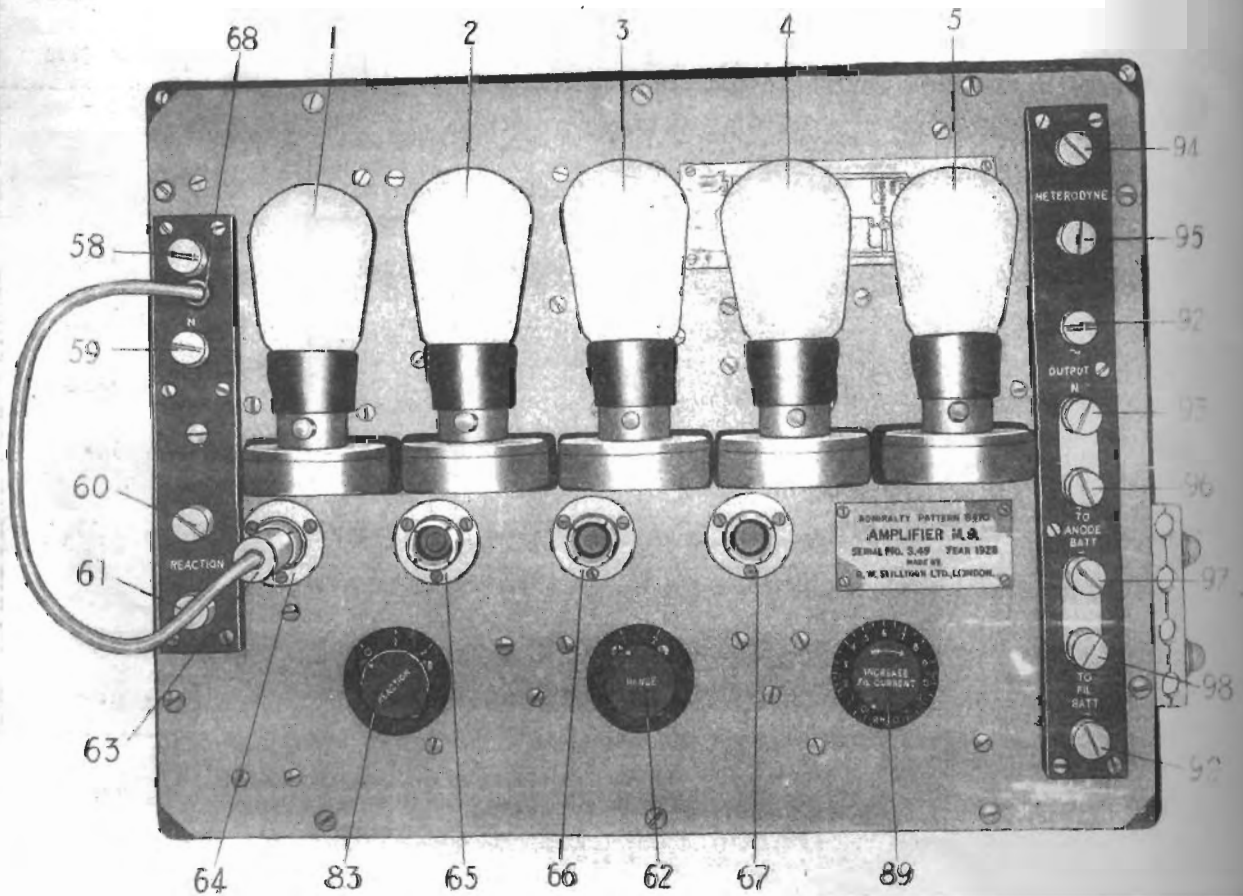
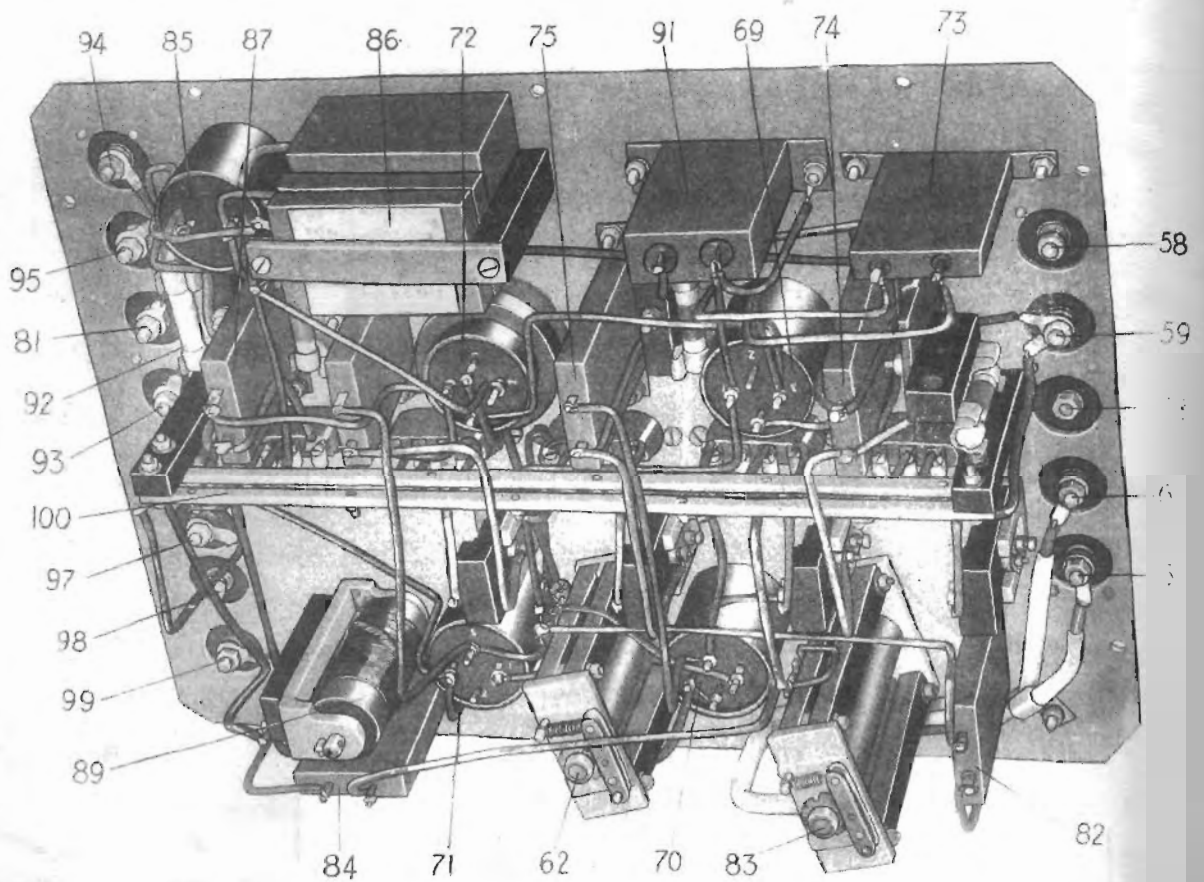
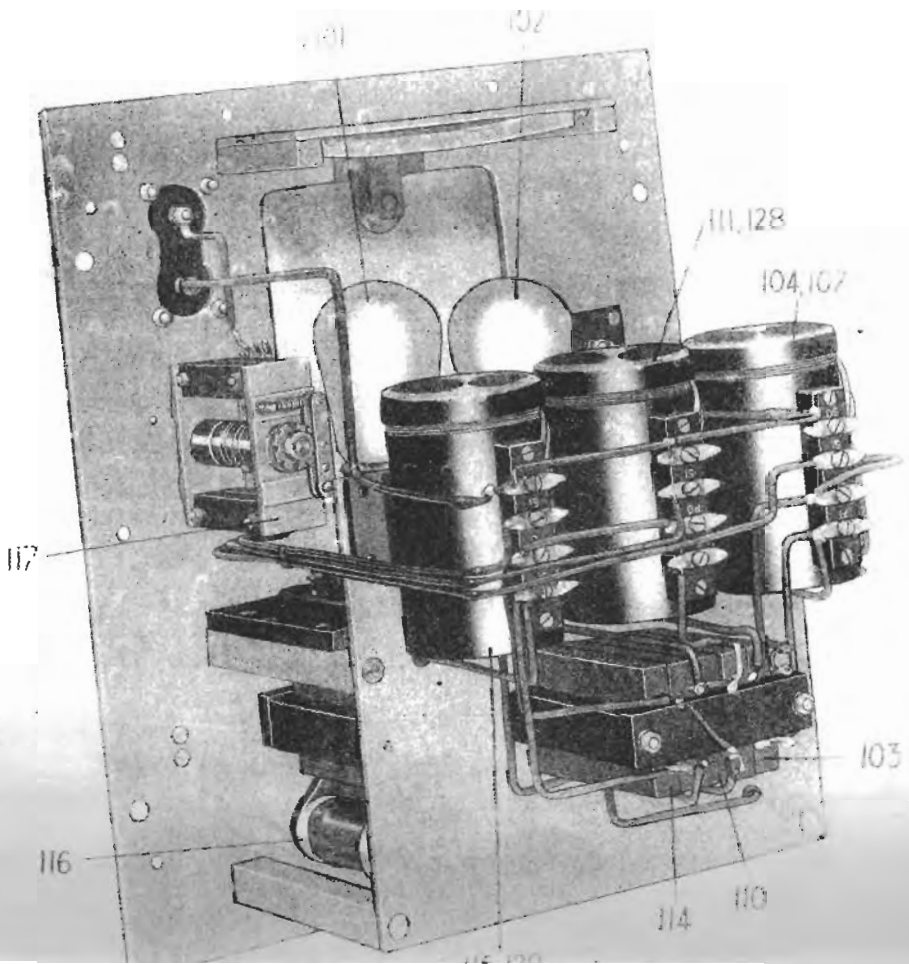
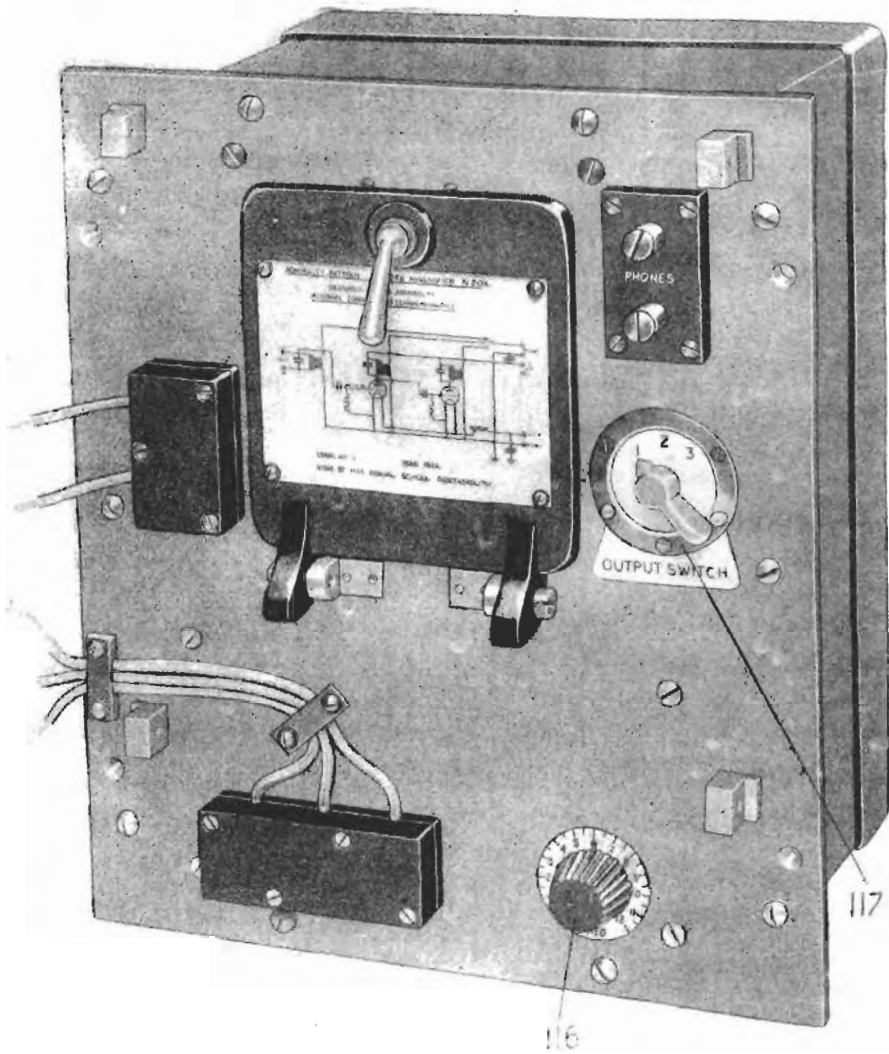


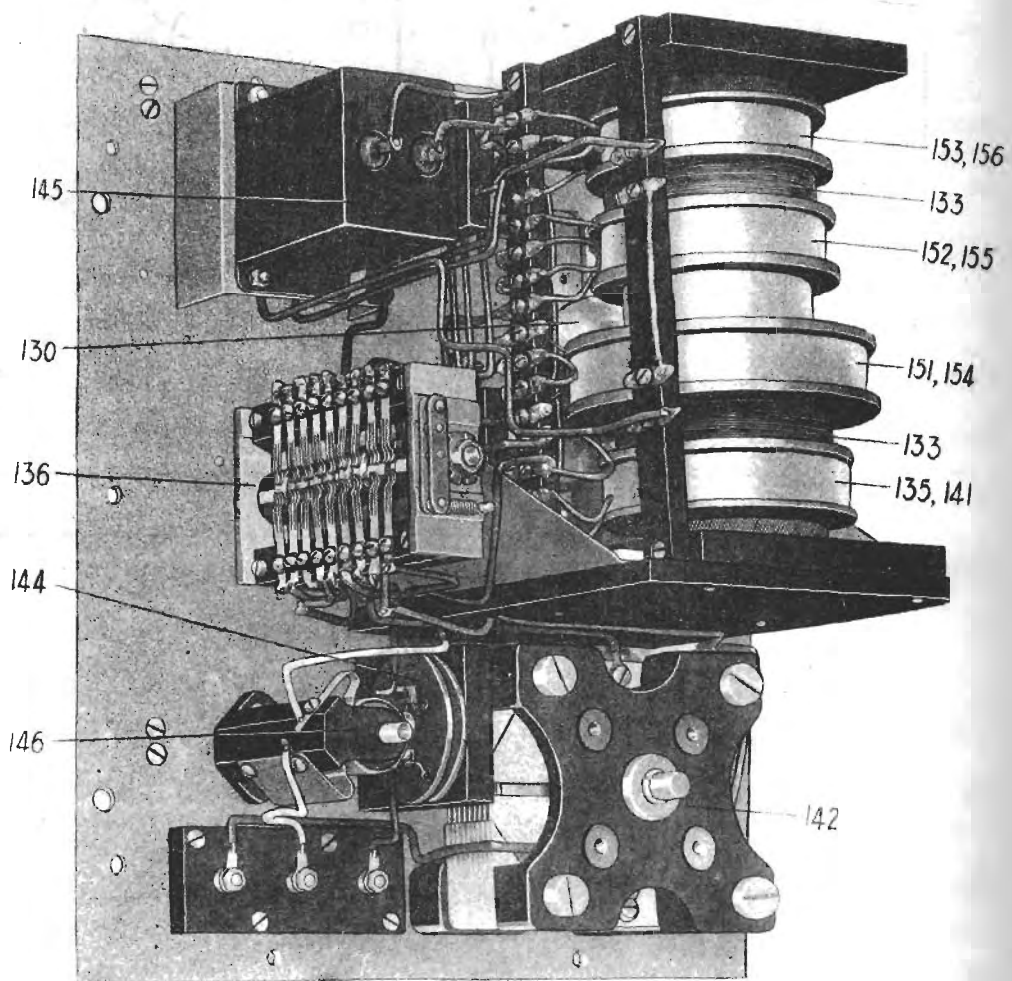
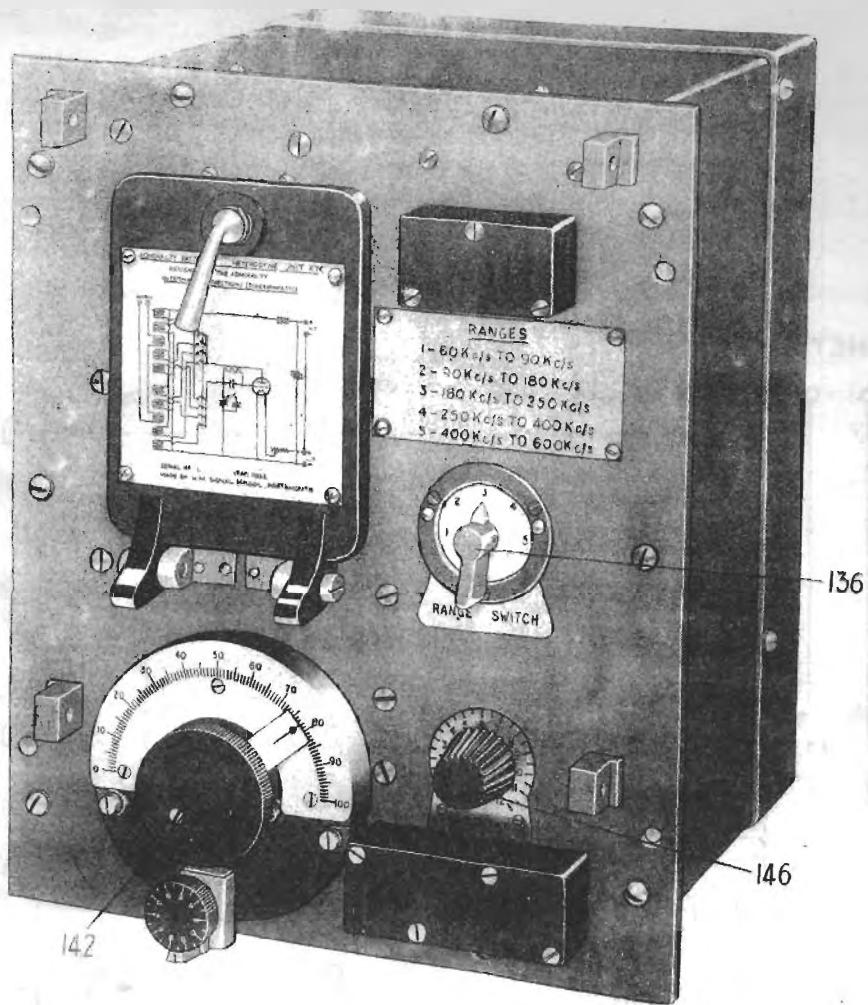
# AMPLIFIER M9.

Page 62.





# HETERODYNE UNIT K7.



VIEW OF INDICATOR DIAL WITH LID REMOVED  
SHOWING STORAGE FOR TOOLS AND CAM BLANK.

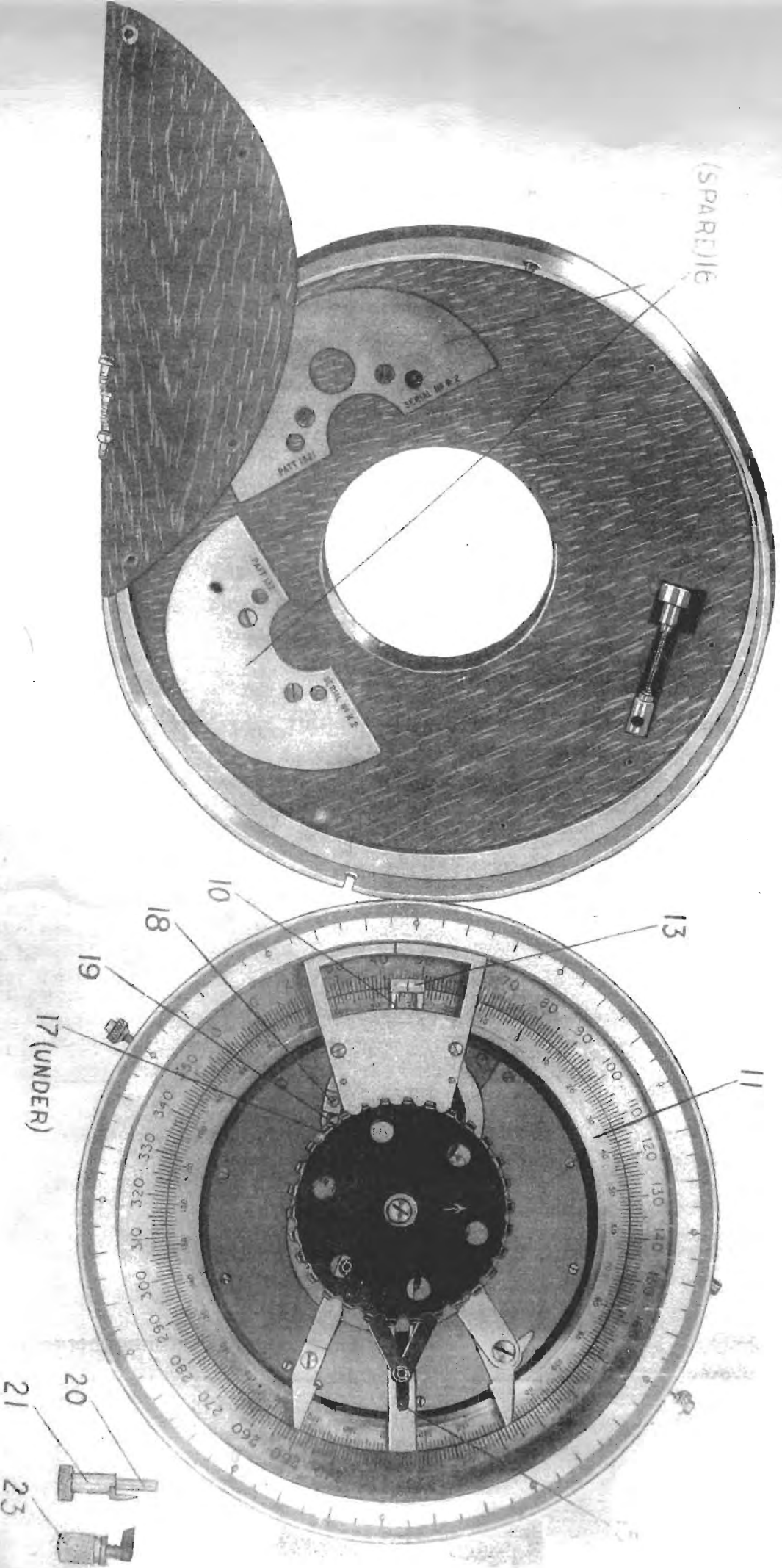


FIG. 37.



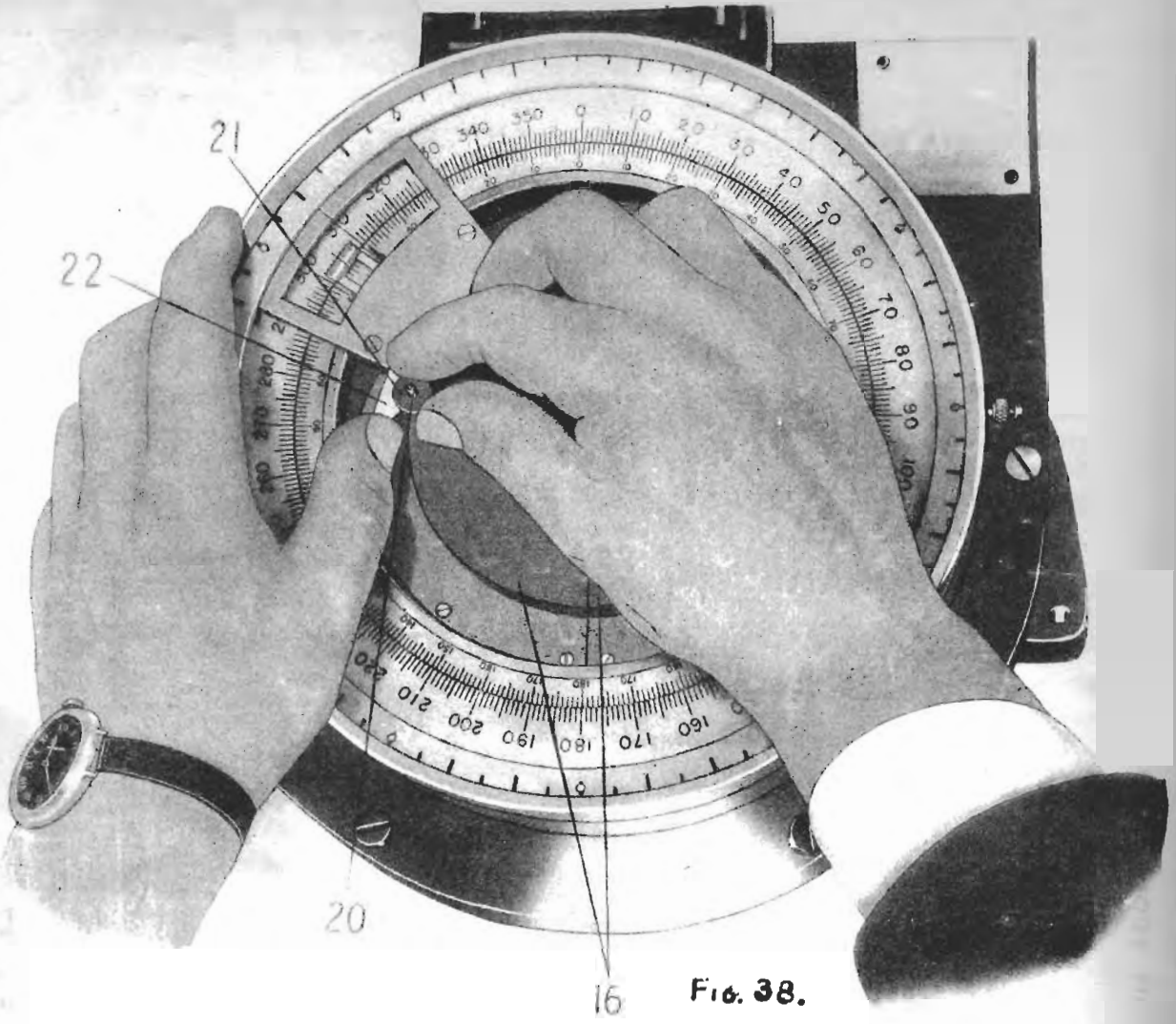


FIG. 38.

CAM BLANK INSCRIBED READY FOR CUTTING.

