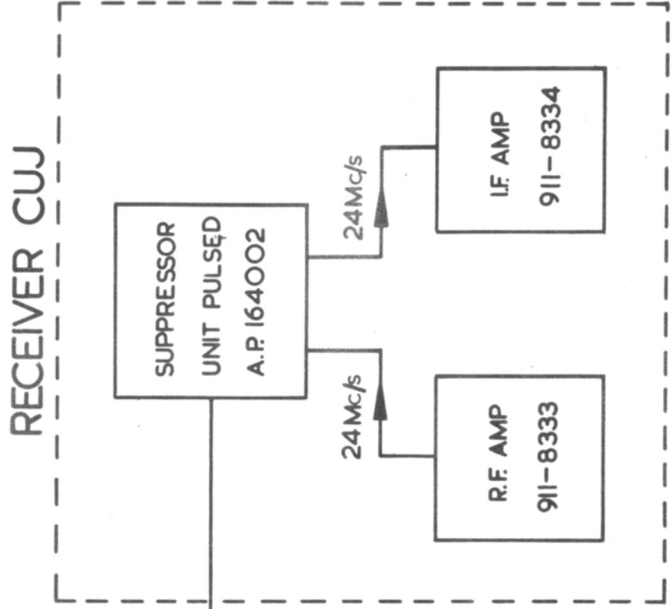
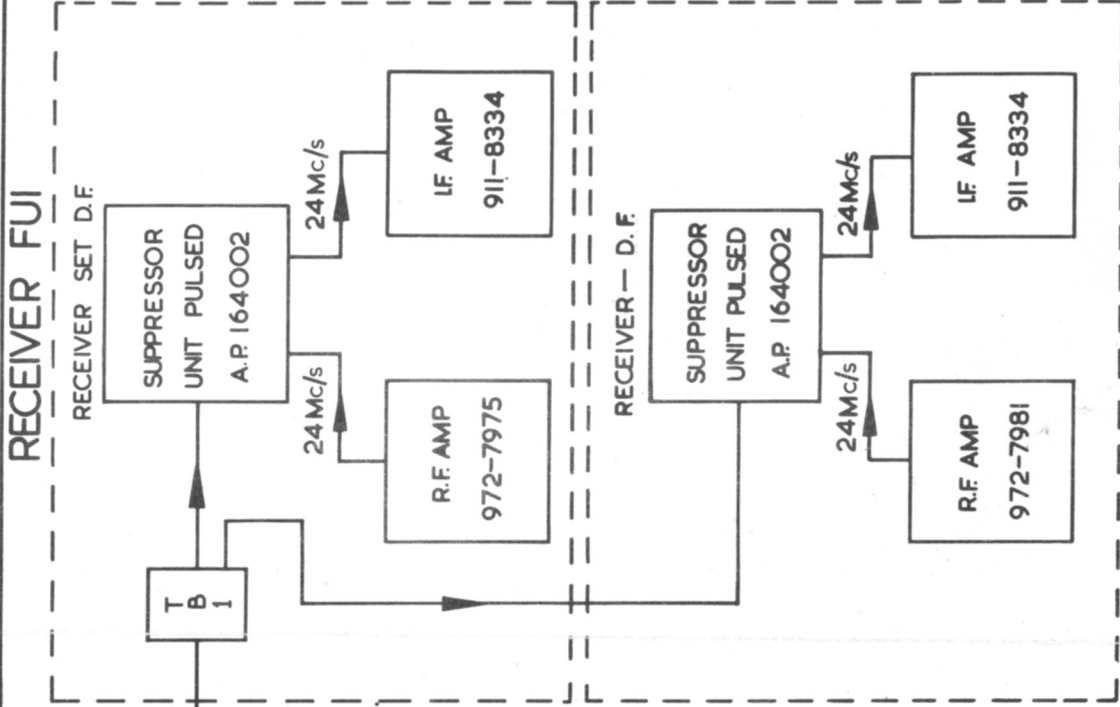


RESTRICTED

OFFICE

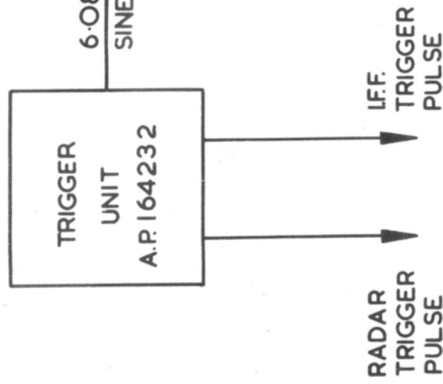


OFFICE



RESTRICTED

RADAR TYPE 965 OFFICE

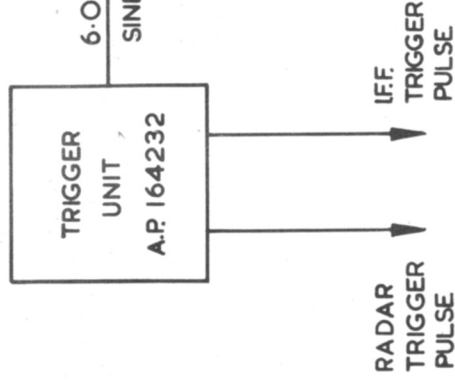


6.08 Kc/s  
SINE WAVE

UHF RECEIVER OF

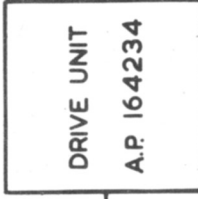


RADAR TYPE 965 OFFICE



6.08 Kc/s  
SINE WAVE

UHF RECEIVER OF



BLOCK DIAGRAM OF TYPICAL RIS(6) SYSTEMS.