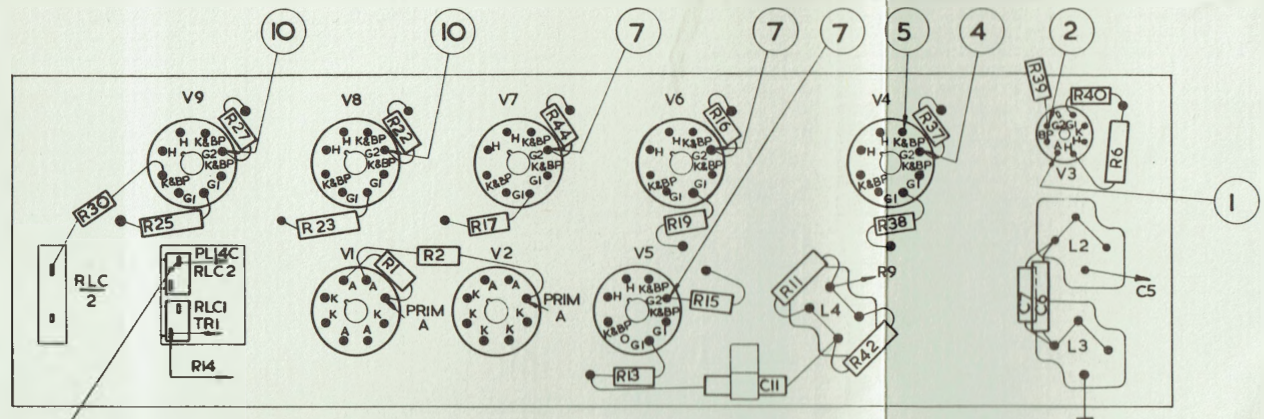
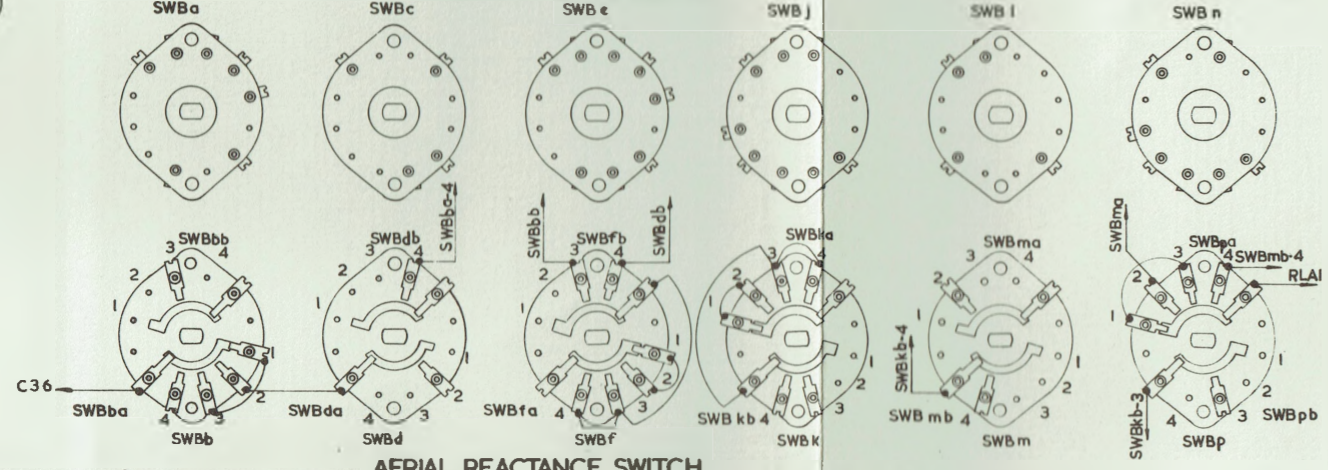


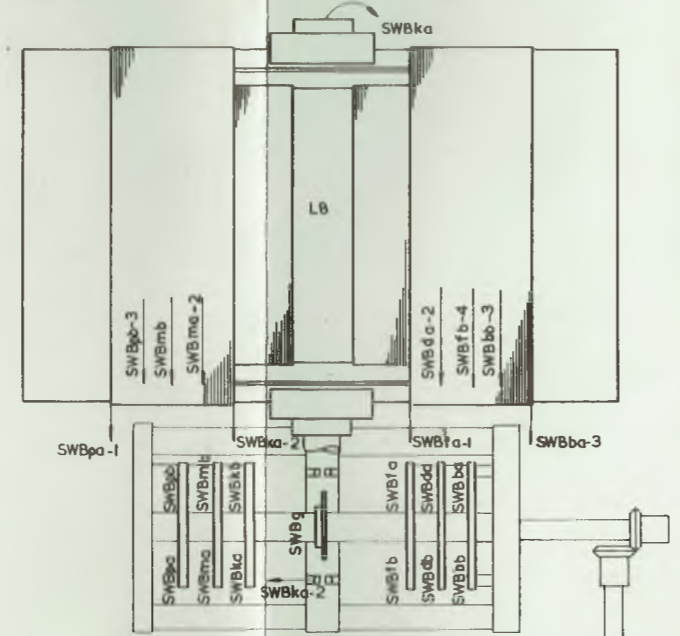
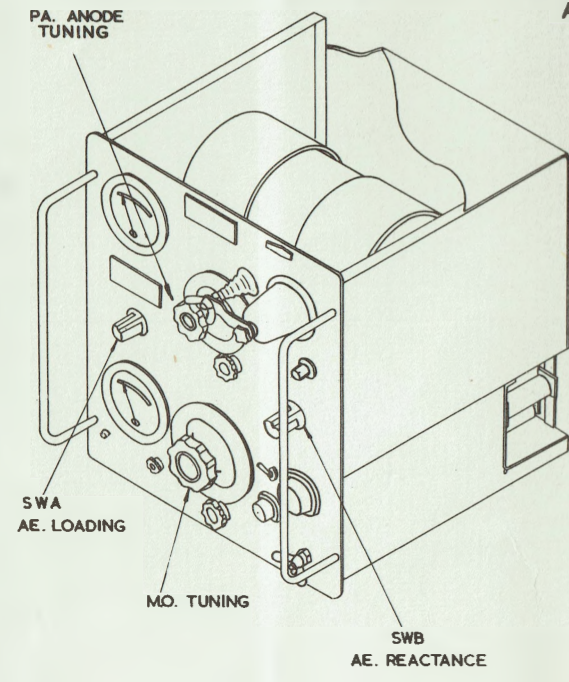
R	30	25	27	23	22	1	2	17	44	19	16	11	42	38	37	39	40	6	24	26	41	21	14	12	9	10	43	7	3	4	R
C										11						7	6			24	30	25	29	23	26	12	2	28	3	4	C
MISC	RLC 2	RLC2 RLC1	V9	V8	V7	V6	V5	V4	V3	L4	L8	SWB								PL 14	SWC	TRI	L5			L1					MISC



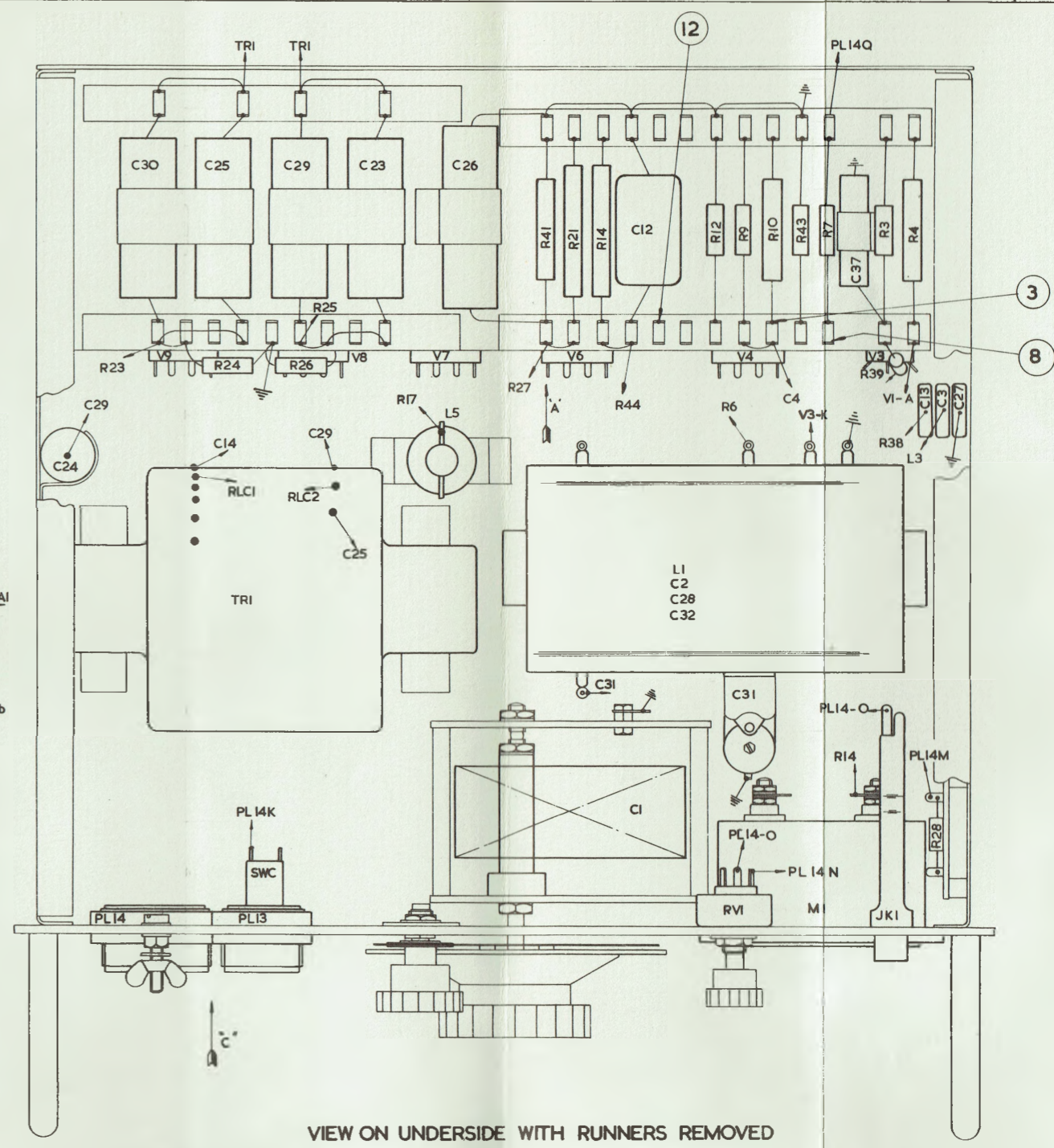
VIEW IN DIRECTION OF ARROW 'A'



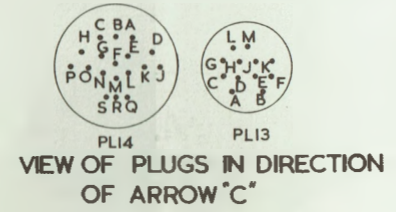
AERIAL REACTANCE SWITCH



PLAN VIEW OF L8 & SWB
(FOR ACTUAL POSITION SEE SHEET 2)



VIEW ON UNDERSIDE WITH RUNNERS REMOVED



VIEW OF PLUGS IN DIRECTION OF ARROW 'C'

TRANSMITTER M.F. AP 100334
LAYOUT & SWITCH WIRING DIAGRAM.
 (SHEET.1.)