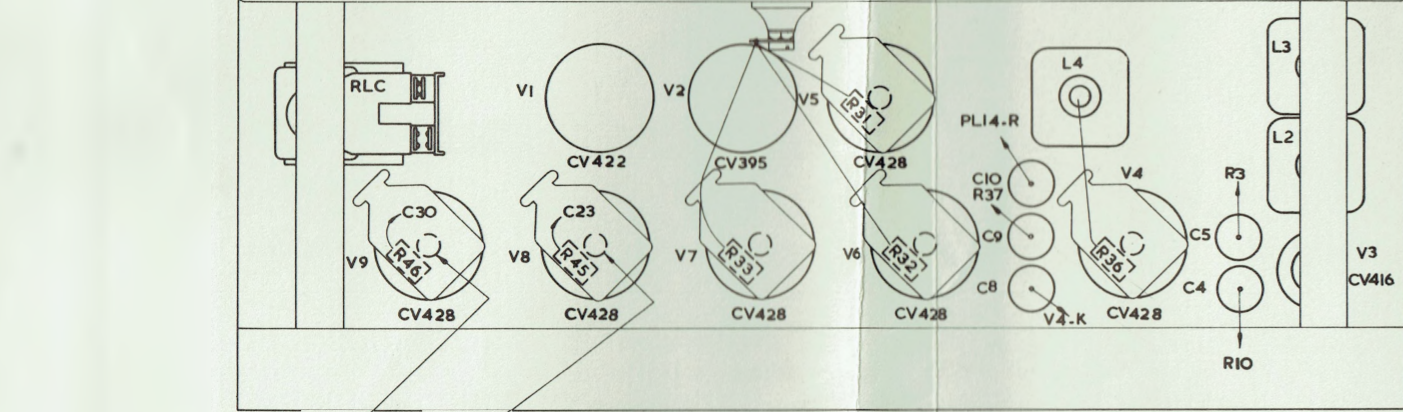
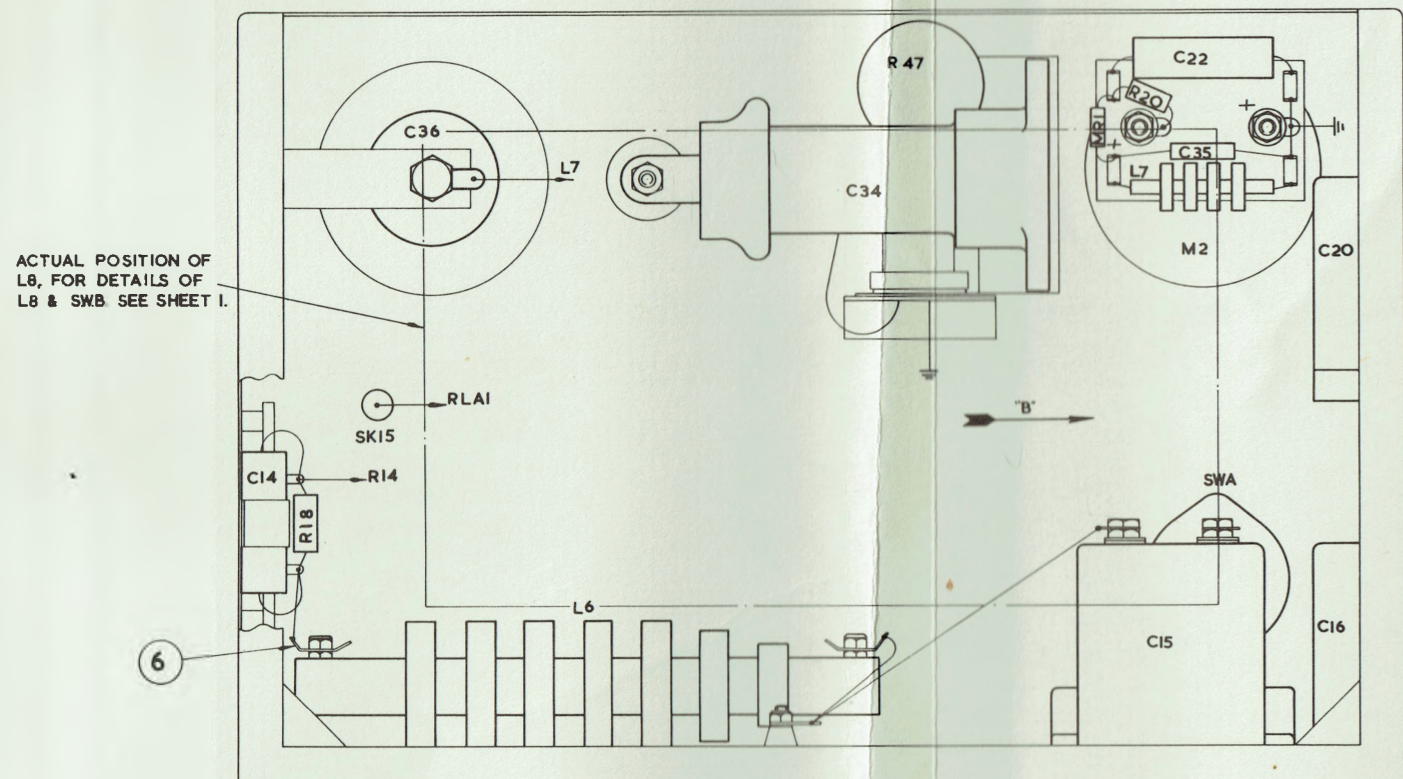
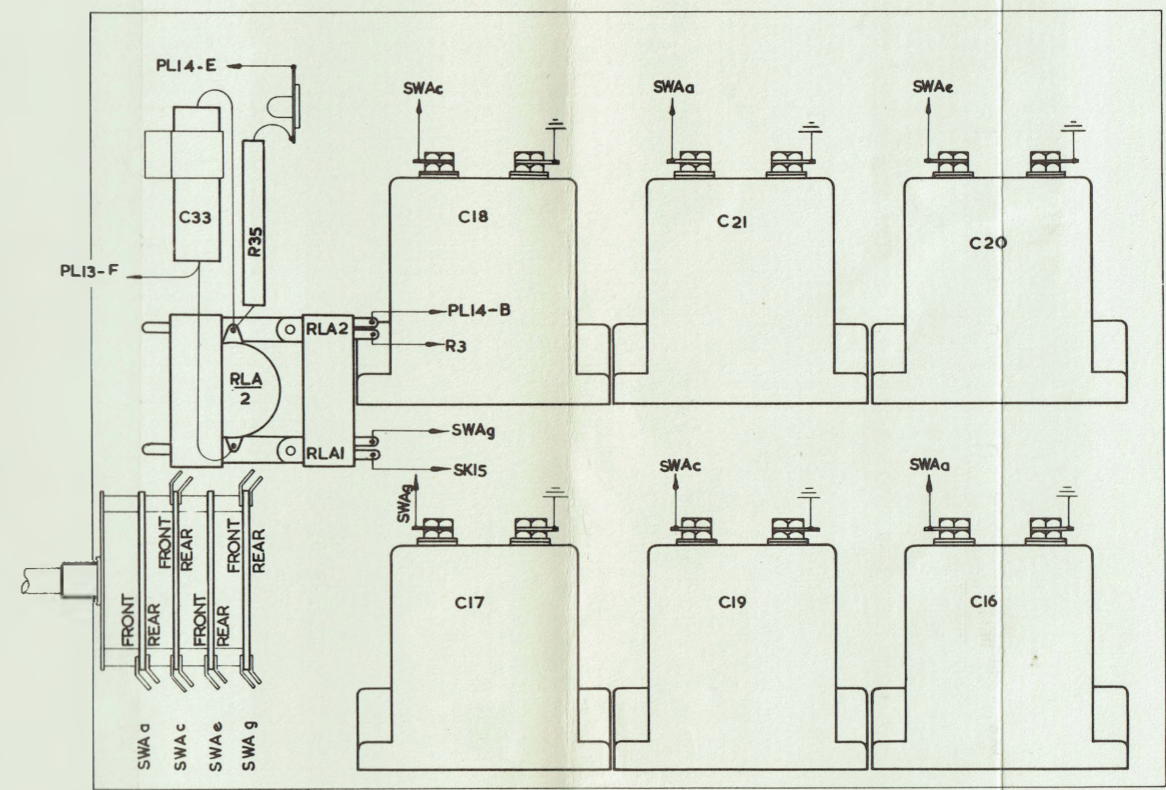


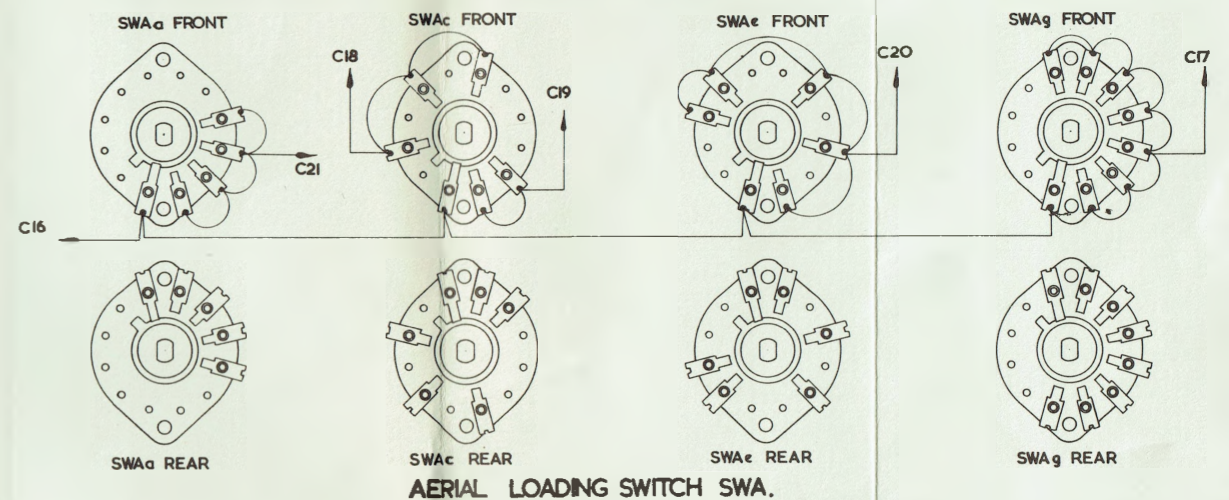
R	18	46	45	33	32	36	22	35	18	21	20	R	
C	14	36		34	10	15	9	5	33	17	19	16	C
MISC.	SK15	L6	V1	V2	V5	MRI	L7	M2	RLA2	RLA1		MISC.	
	RLC	V1	V2	V5	L4	L4	SWA	L3	SWA	SWA			
	V9	V8	V7	V6	V4	V4		L2					



VIEW ON REAR OF UNIT WITH COVER REMOVED.



VIEW IN DIRECTION OF ARROW 'B'



NOTE.
ON SWA CONTACTS ON FRONT OF WAFERS
ARE WIRED TO ADJACENT CONTACTS ON
REAR OF WAFERS.

**TRANSMITTER M.F. AP100334
LAYOUT & SWITCH WIRING
DIAGRAM.**

(SHEET 2)