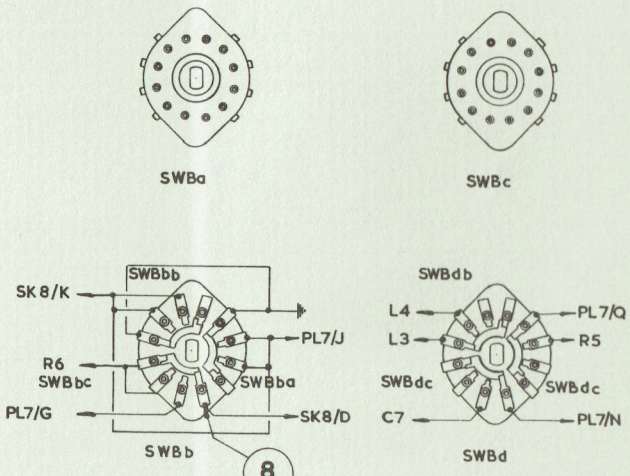
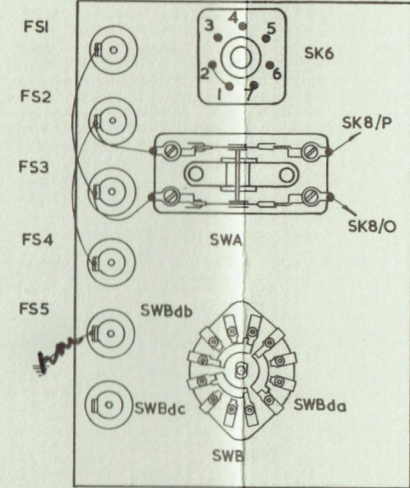


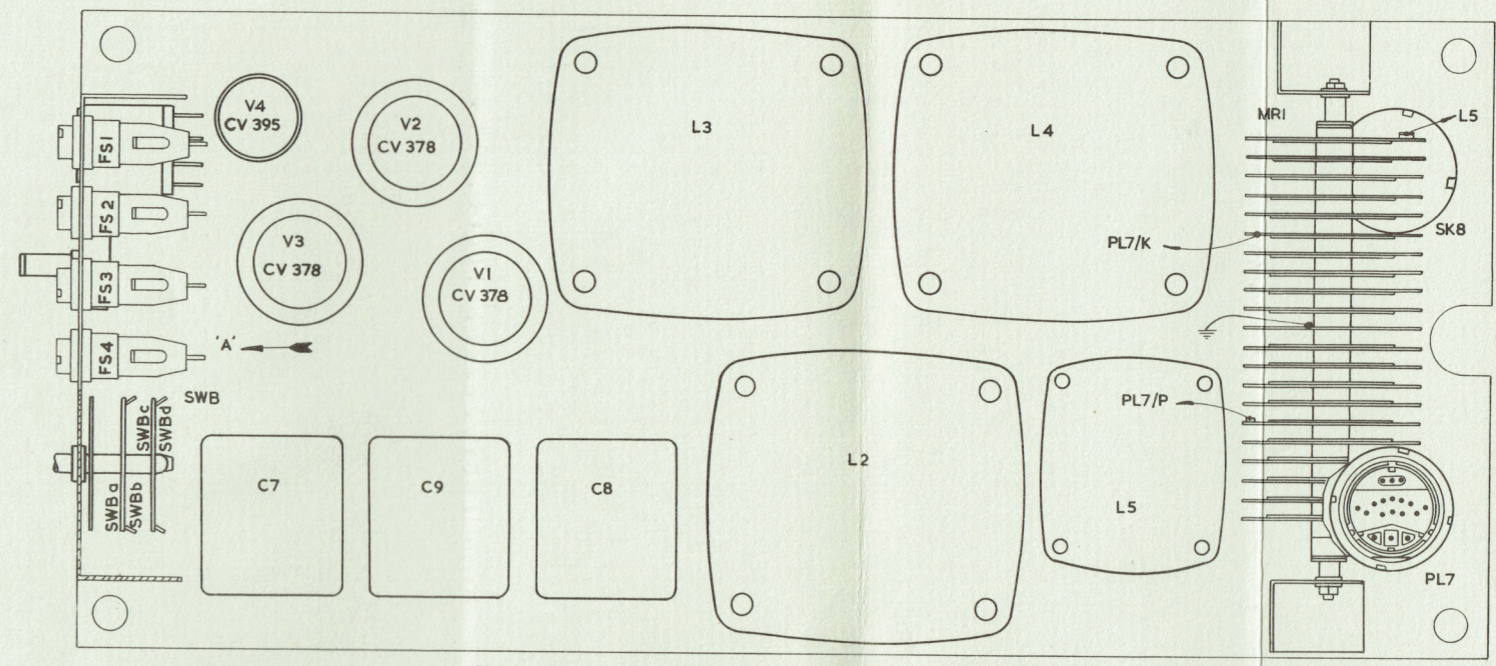
R				6	5	8	7	4											R					
C							7			9		8				14	15		C					
MISC.			FS1							V3		V1			L3		L4		L5	MR1	SK8			
			FS2			SK 6				V4		V2			L2						PL7	MISC.		
			FS3			SWA																		
			FS4			SWB																		
			FS5																					



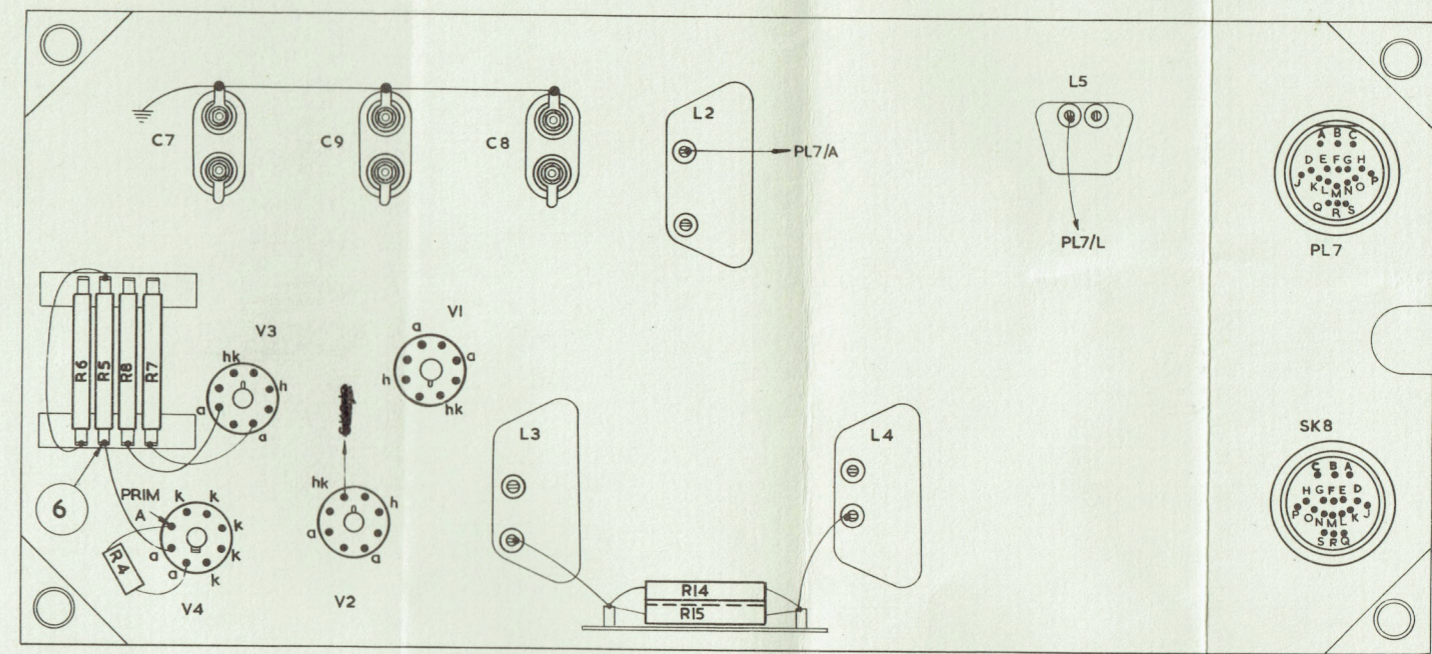
H.T. SUPPLY SWITCH SWB.



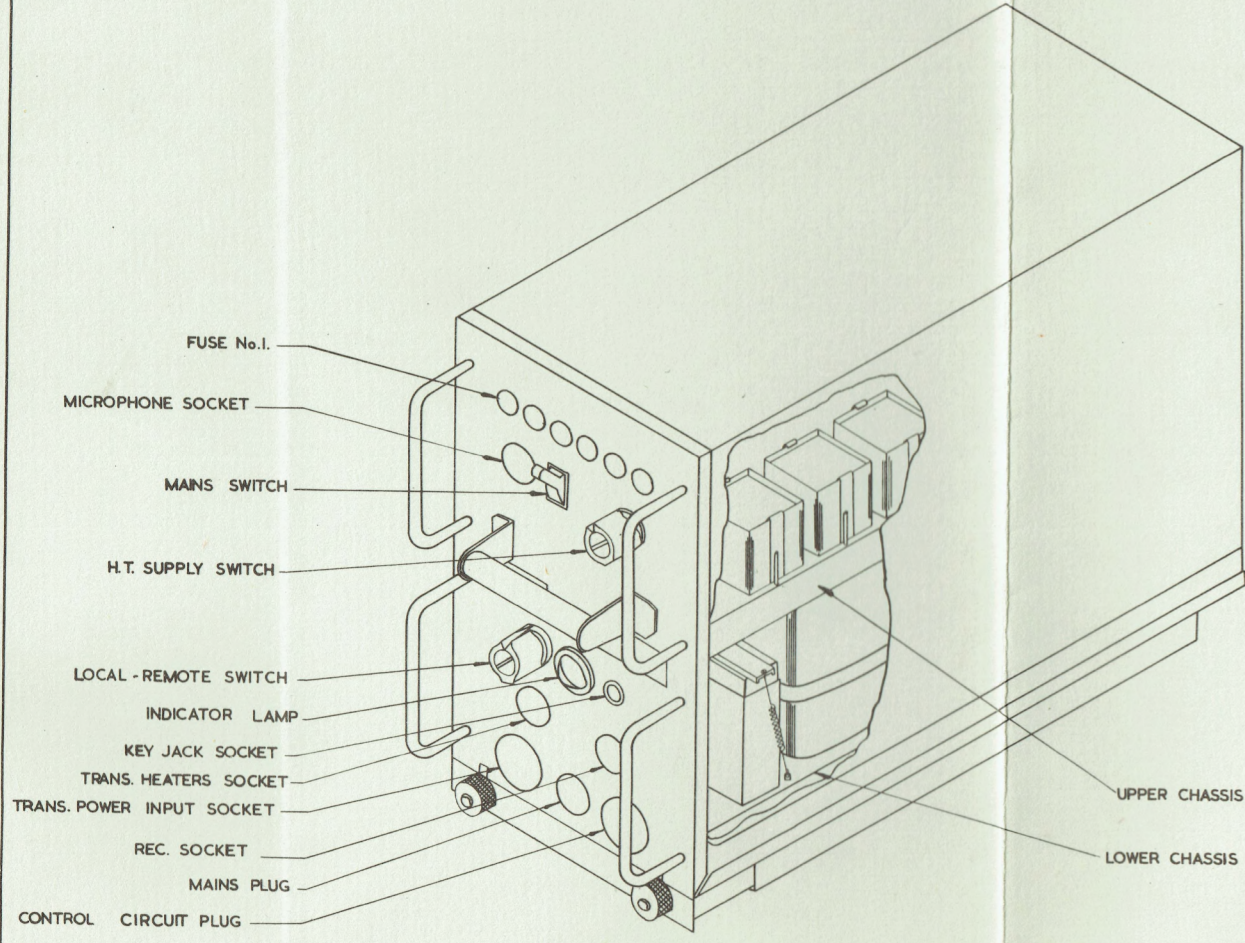
VIEW IN DIRECTION OF ARROW 'A'



PLAN VIEW OF UPPER CHASSIS



INVERSE PLAN VIEW OF UPPER CHASSIS



POWER UNIT AP.100336
 LAYOUT & SWITCH WIRING DIAGRAM.
 (SHEET. I.)