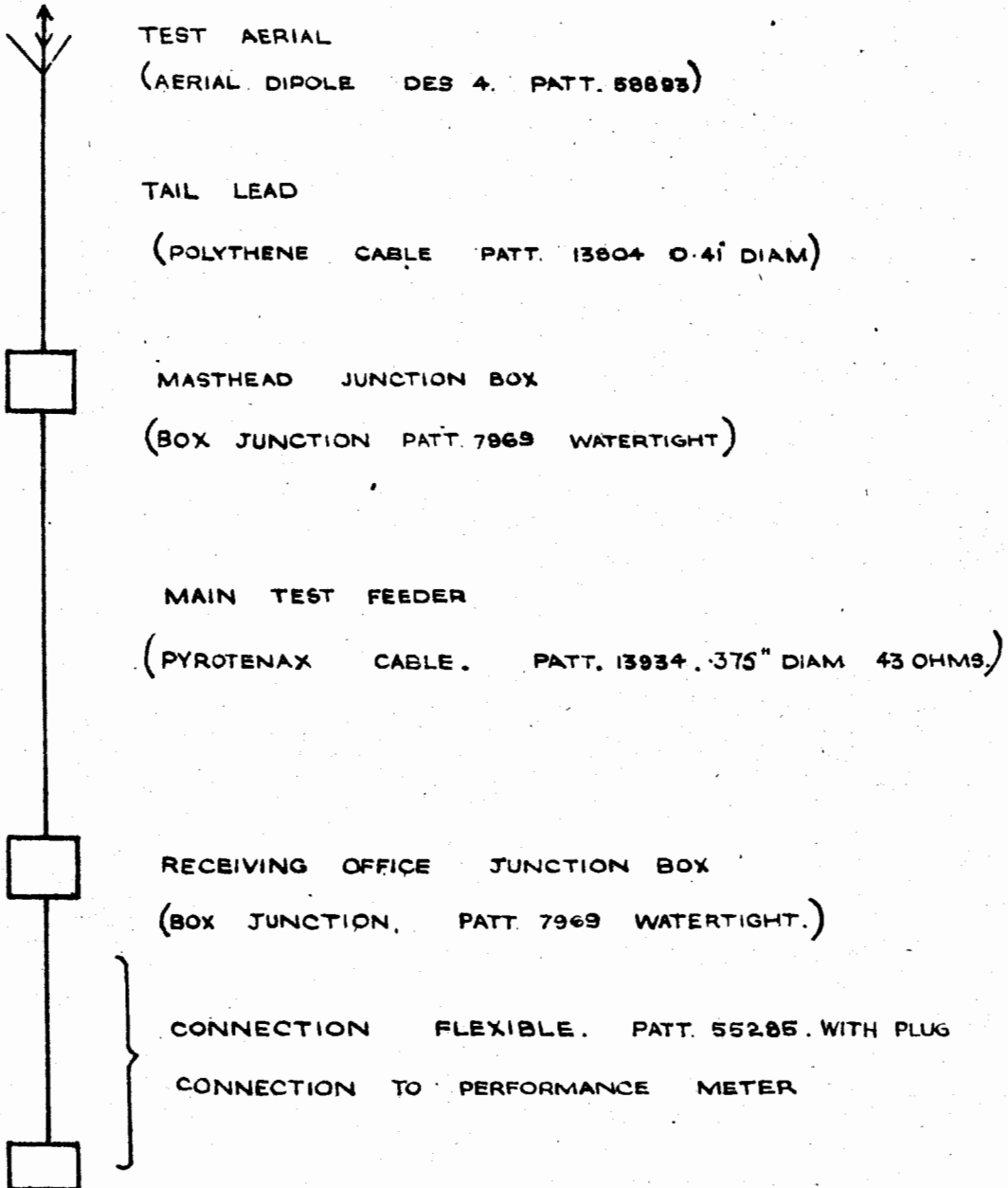


PERFORMANCE METER DES. 3

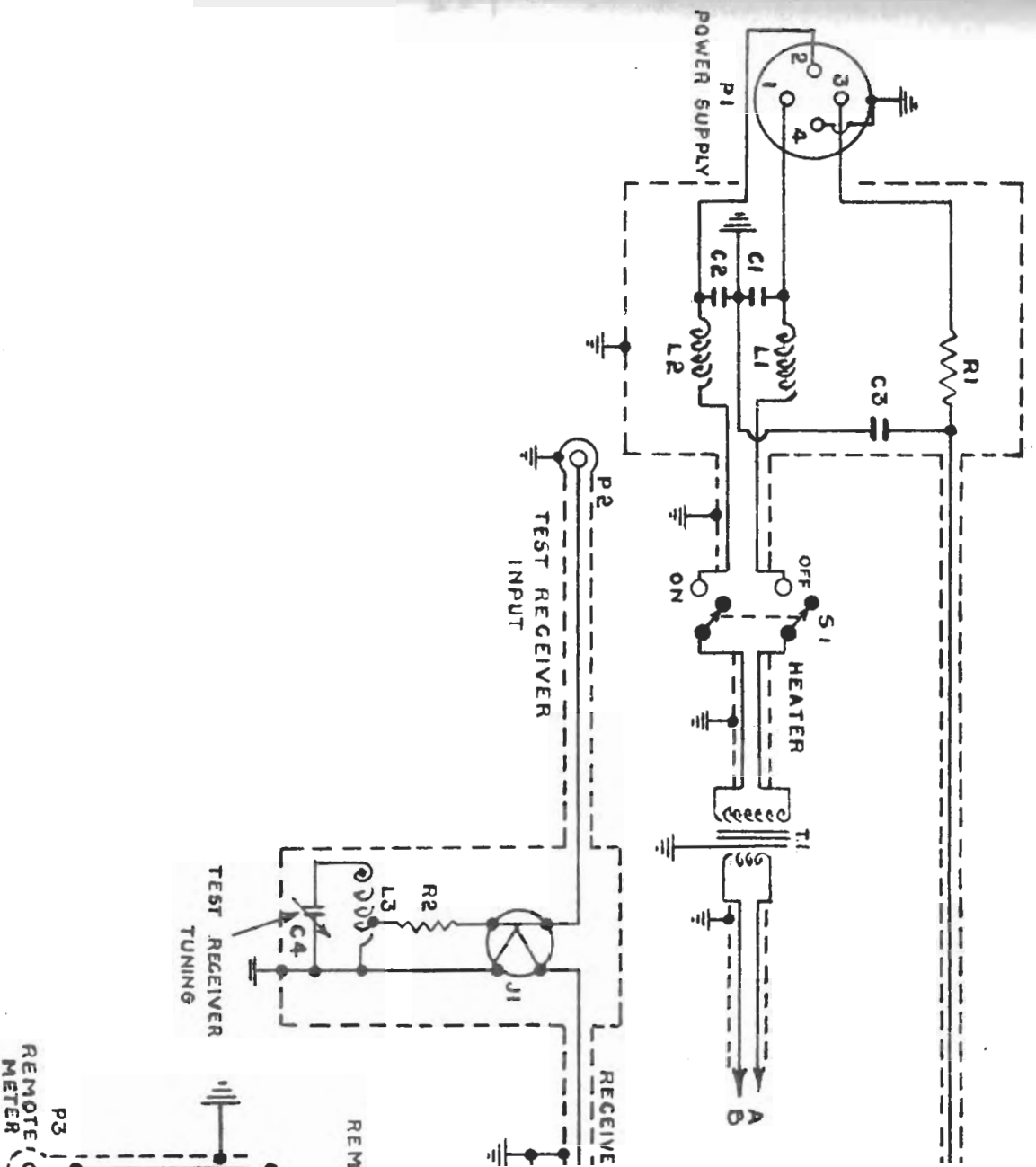
OUTLINE OF TEST AERIAL SYSTEM

16

OUTLINE OF
TEST AERIAL
SYSTEM



- NOTES:-**
- 1 IN FITTING, THE NUMBER OF JUNCTION BOXES, (WHICH MUST BE PROPERLY SEALED) MUST BE AS SMALL AS POSSIBLE.
 - 2 THE TEST AERIAL IS FITTED TO THE MAST AT THE CENTRE OF THE ARRAY, PARALLEL WITH DIPOLES AND REFLECTORS.
 - 3 IN COMMON AERIAL SETS THERE IS ONE AERIAL ONLY, OTHERWISE ONE IS FITTED IN EACH ARRAY.



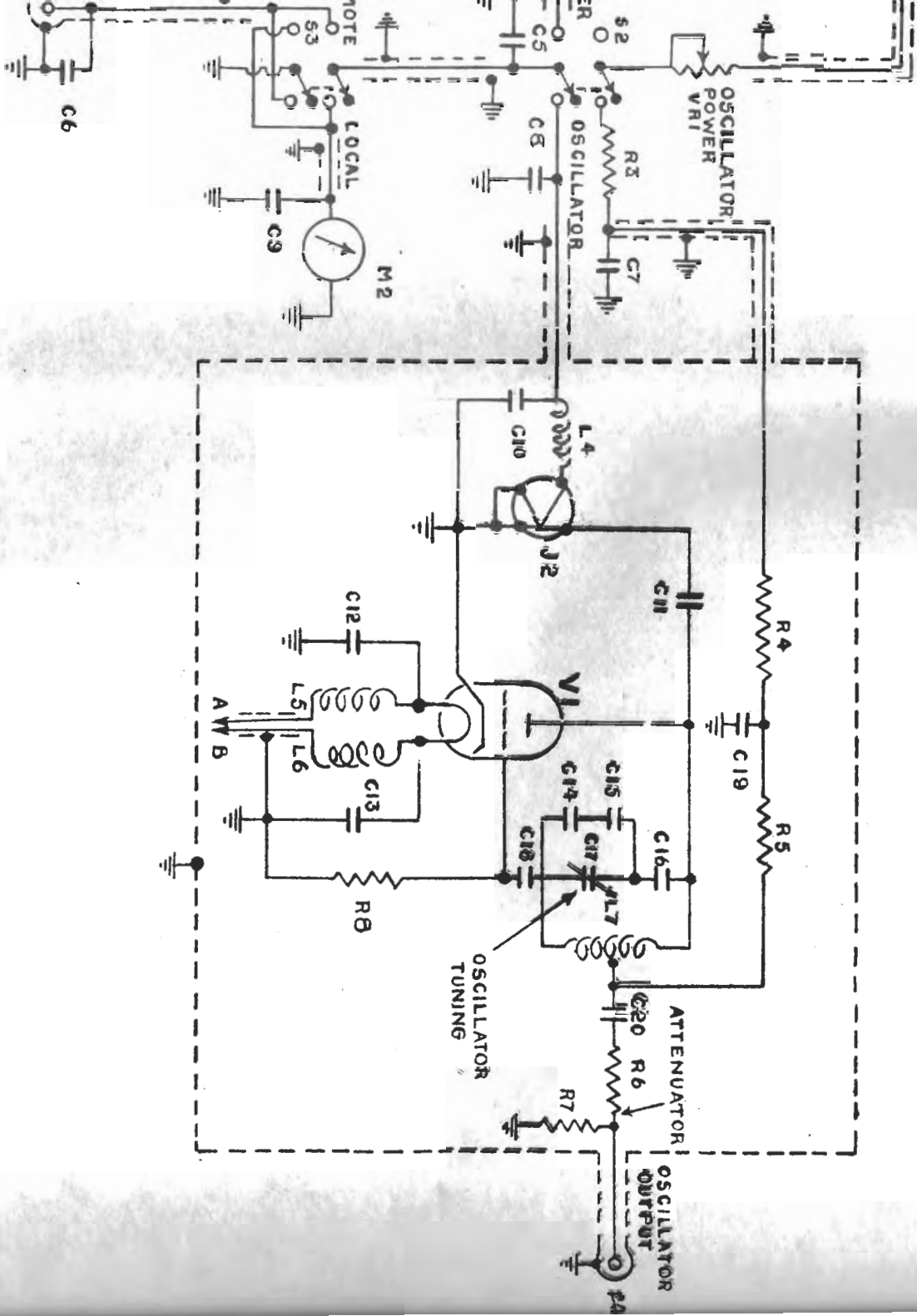
CONDENSERS

REF. No	PATT. No	VALUE	TOL. %
C1	W2365	300 pf	5
C2	"	"	"
C3	W2365	300 pf	5
C4	W6293	5-160 pf	
C5	W2365	300 pf	5
C6	"	"	"
C7	"	"	"
C8	"	"	"
C9	"	"	"
C10	W2365	300 pf	5
C11	W2820	5 pf	10
C12	W5228	100 pf	10
C13	W5288	100 pf	10
C14	52496	47 pf	5
C15	W4348	100 pf	5
C16	52099	200 pf	2
C17	W3805	6-40 pf	
C18	W5228	100 pf	10
C19	W2365	300 pf	5

RESISTANCES

REF. No	PATT. No	VALUE	TOL. %	WATTS	REMARKS
R1	W3347A	4,700 Ω	20	1/2	
R2	W8586	15 Ω	20	1/2	
R3	W8594	3,300 Ω	20	1/2	
R4	W3347A	4,700 Ω	20	1/2	
R5	W3347A	4,700 Ω	20	1/2	
R6	51957	1,500 Ω	5	1/2	
R7	51836	39 Ω	5	1/2	
R8	W3350A	47,000 Ω	20	1/2	

REF. No	PATT. No	VALUE	TOL. %	WATTS	REMARKS
C20	W2821	2 pf	1/2		



MISCELLANEOUS

REF. NO.	PART. N ^o	DESCRIPTION
VRI	50611	POTENTIOMETER, 50000Ω ± 20% 2W
T1	6249A	TRANSFORMER 230V/6V, 50-1.5VA
L1, L2 L4, L5 L6		CHOKES
L3		RECEIVER COIL
L7		OSCILLATOR COIL
J1 J2	W3313	VACUO - JUNCTION
V1		VALVE CV6
P1		4 PIN PLUG AM. REF 10H/391
P3	W7084	SOCKET
S1, S2 S3	W2688	SWITCH D.P. 2 WAY
P2, P4		SOCKET AM. REF 10H/160

PAT. 53914 — PERFORMANCE METER — DESIGN 3

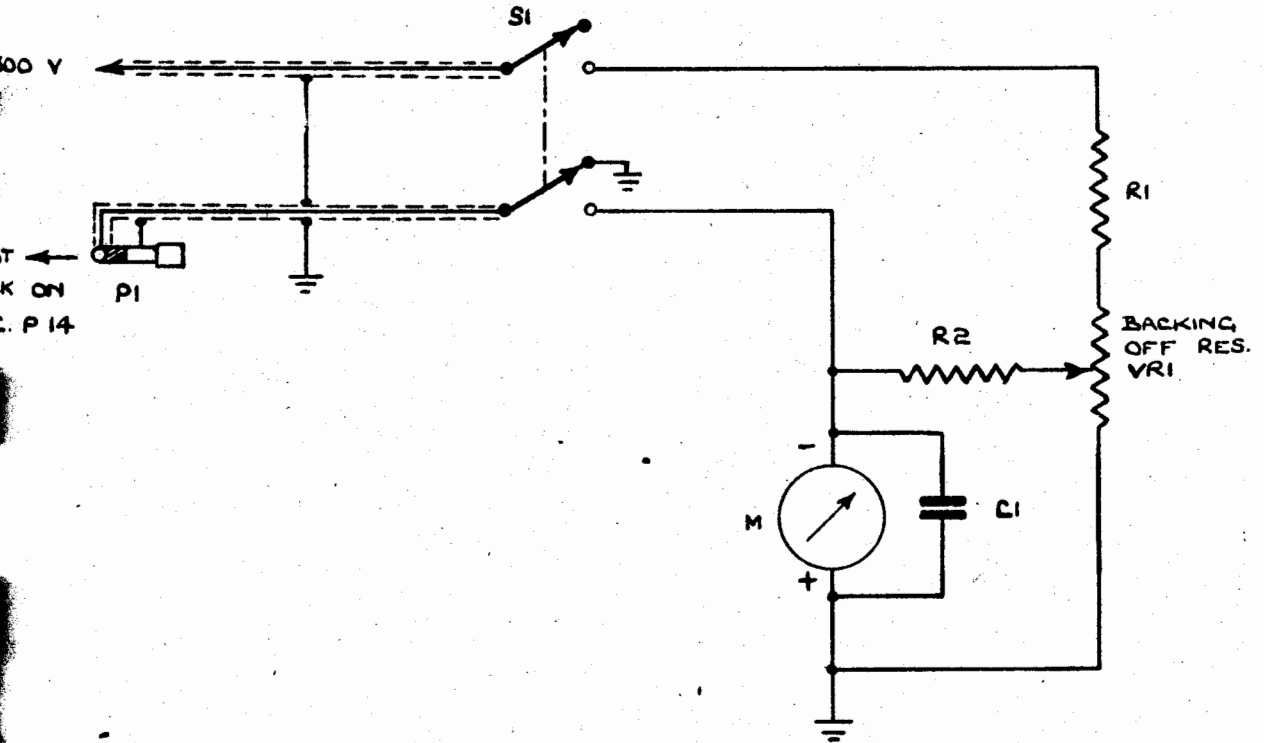
CIRCUIT DIAGRAM

PATT. 58520 METER UNIT, DESIGN '5'

CIRCUIT DIAGRAM

18

METER UNIT
DESIGN '5'
CIRCUIT



R1 - PATT. W4405 RESISTOR, 560K, 1/2 WATT, ± 10%

R2 - PATT. W8563 RESISTOR, 10K, 1/2 WATT, ± 20%

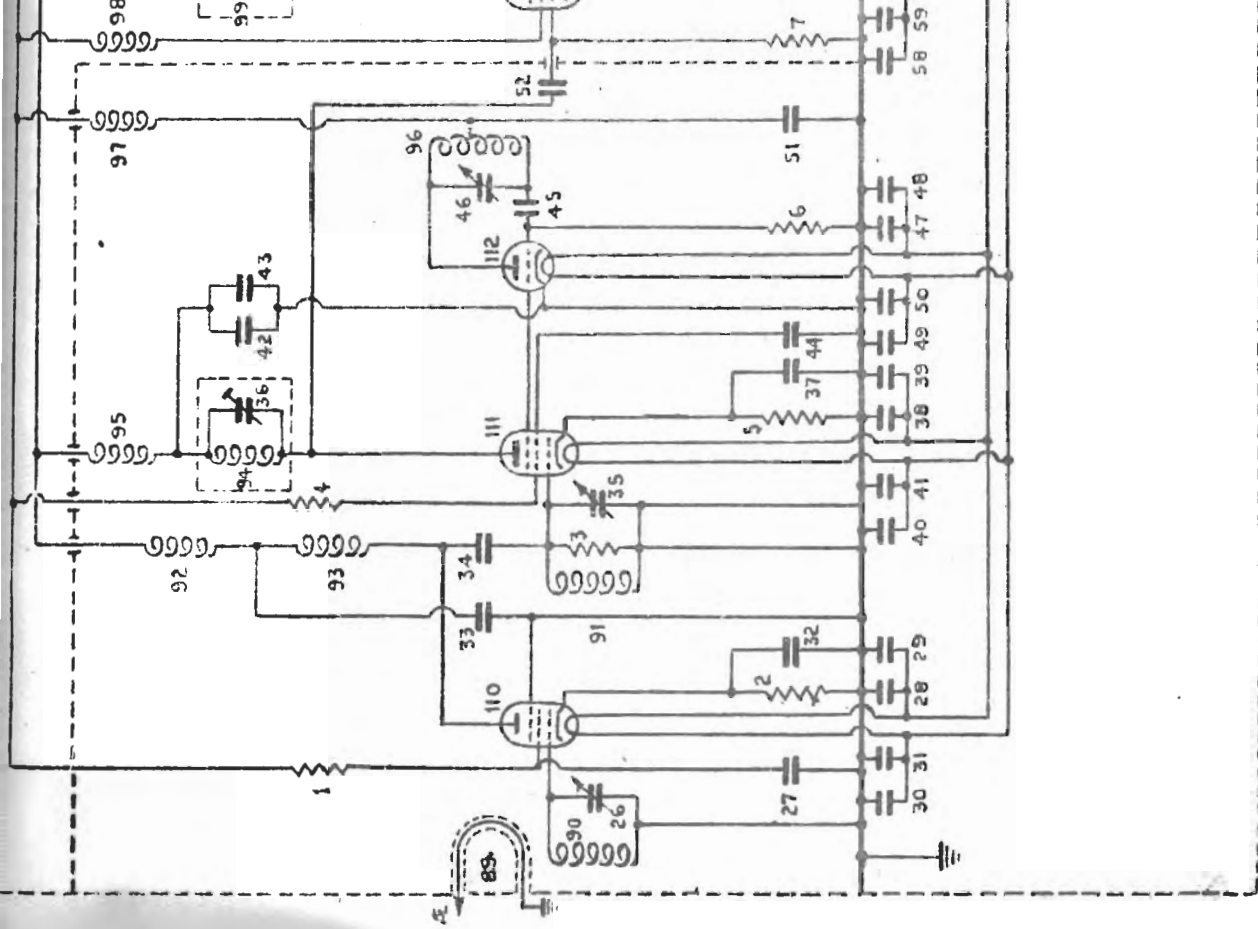
VRI - PATT. W6286A POTENTIOMETER, 2K, 2 WATTS, ± 20%

C1 - ELECTROLYTIC CONDENSER, 4MFD, TUBULAR

P1 - PATT. 650 PLUG, P.O. TYPE

S1 - PATT. W2688 SWITCH, 2 POLE, 2 WAY.

M - PATT. 58637 GALVANOMETER 2 1/2" DIAM PLUG-IN TYPE 0-25 μA.



RECEIVER P. 114 - PARTS LIST

No.	Patt. No.	Description	No.	Patt. No.	Description
1	-	Resistance, 200 ohms	61	-	Condenser 0.1 mfd.
2	-	" 1,000 "	62	-	" 50 mmfd.
3	6970	" 20,000 "	63	-	" 0.1 mfd.
4	-	" 200 "	64	-	" 0.1 "
5	-	" 1,000 "	65	-	" 0.1 "
6	-	" 50,000 "	66	-	" 0.1 "
7	-	" 5,000 "	67	-	" 65 mmfd. trim.
8	4023	" 100 "	68	-	" 0.1 mfd.
9	-	Potentiometer 20,000 "	69	-	" 50 mmfd.
10	-	Resistance, 5,000 ohms	70	-	" 65 " trim.
11	-	" 5,000 "	71	-	" 0.1 mfd.
12	-	" 200 "	72	-	" 0.1 "
13	-	" 15,000 "	73	-	" 0.1 "
14	6969	" 5,000 "	74	-	" 0.1 "
15	1558	" 1,000 "	75	2025	" 50 "
16	4906	" 100 "	76	-	" 0.1 "
17	-	" 22,000 "	77	-	" 30 mmfd.
18	-	" 50,000 "	78	-	" 0.1 "
19	-	" 300 "	81	-	" 0.1 "
20	-	" 10,000 " 2W	82	4997	" 1 "
21	8856	" 1,000 "	83	4997	" 1 "
22	4906	" 100 "	84	4997	" 1 "
23	8856	" 1,000 "	85	8462A	" 2 "
24	8809	" 50,000 "	86	"	" 2 "
25	8809	" 50,000 "	87	1140	" 8 "
26	-	Condenser, 40 mmfd. var.	88	1140	" 8 "
27	-	" 0.01 mfd.	89	-	(Inductance, aerial coupling coil
28	-	" 0.01 "	90	-	Inductance H/F Tuning Coil
29	-	" 0.1 "	91	-	" " " "
30	-	" 0.01 "	92	-	" U.S.W. Choke
31	-	" 0.1 "	93	-	" " "
32	-	" 0.001 "	94	-	" I/F Transformer
33	-	" 0.01 "	95	-	" S.W. Choke
34	-	" 30 mmfd.	96	-	" H/F Tuning Coil
35	-	" 18 " var.	97	-	" U.S.W. Choke
36	-	" 65 " trim.	98	-	" S.W. Choke
37	-	" 0.001 mfd.	99	-	" I/F Transformer
38	-	" 0.01 "	100	-	" S.W. Choke
39	-	" 0.1 "	101	-	" " "
40	-	" 0.01 "	102	-	" I/F Transformer
41	-	" 0.1 "	103	-	" S.W. Choke
42	-	" 0.1 "	104	-	" " "
43	6895	" 2 "	105	-	" " "
44	-	" 0.01 "	106	-	" I/F Diode Trans.
45	-	" 20 mmfd.	107	-	" S.W. Choke
46	-	" 40 " var.	108	-	" L/F Choke
47	-	" 0.01 mfd.	109	-	Transformer, mains
48	-	" 0.1 mfd.	110	-	Valve, Mullard A.P.4.
49	-	" 0.01 mfd.	111	-	" " "
50	-	" 0.1 "	112	412	" NR50
51	-	" 0.01 "	113	-	" Mazda AC/S2/Pen.
52	-	" 50mmfd.	114	-	" " "
53	-	" 0.1 mfd.	115	-	" " "
54	-	" 50 mfd.	116	-	" Marconi-Osram D41
55	-	" 0.1 mfd.	117	-	" Cossor, 42 Mpt.
56	-	" 0.01 "	118	8752	" NR27
57	-	" 0.1 "	119	7403	" NU3
58	-	" 0.01 "	120	5458	" NS1 (Stabilivolt)
59	-	" 0.1 "			
60	-	" 55 mmfd. trim.			

contd.

No.	Patt. No.	Description
121	-	Jack, single pole
122	-	Jack, double pole
123	-	Condenser 0.0002 mfd.
124	-	" " "
125	-	" " "
126	-	" " "
127	4022	Resistance rod 1" 50 ohms
128	"	" " " "
129	"	" " " "
130	-	" 57 K. 2W.
131	-	" 2.7 K. 1W.
132	-	" 50 K. $\frac{1}{2}$ W.
133	-	" 500 ohms 2W.
134	-	" 2 K. $\frac{1}{2}$ W.
135	-	Condenser 1 mfd.
136	-	Valve, CV1078
137	-	Jack, single pole
138	7383	Socket Niphan 4-core
139	"	" " "

