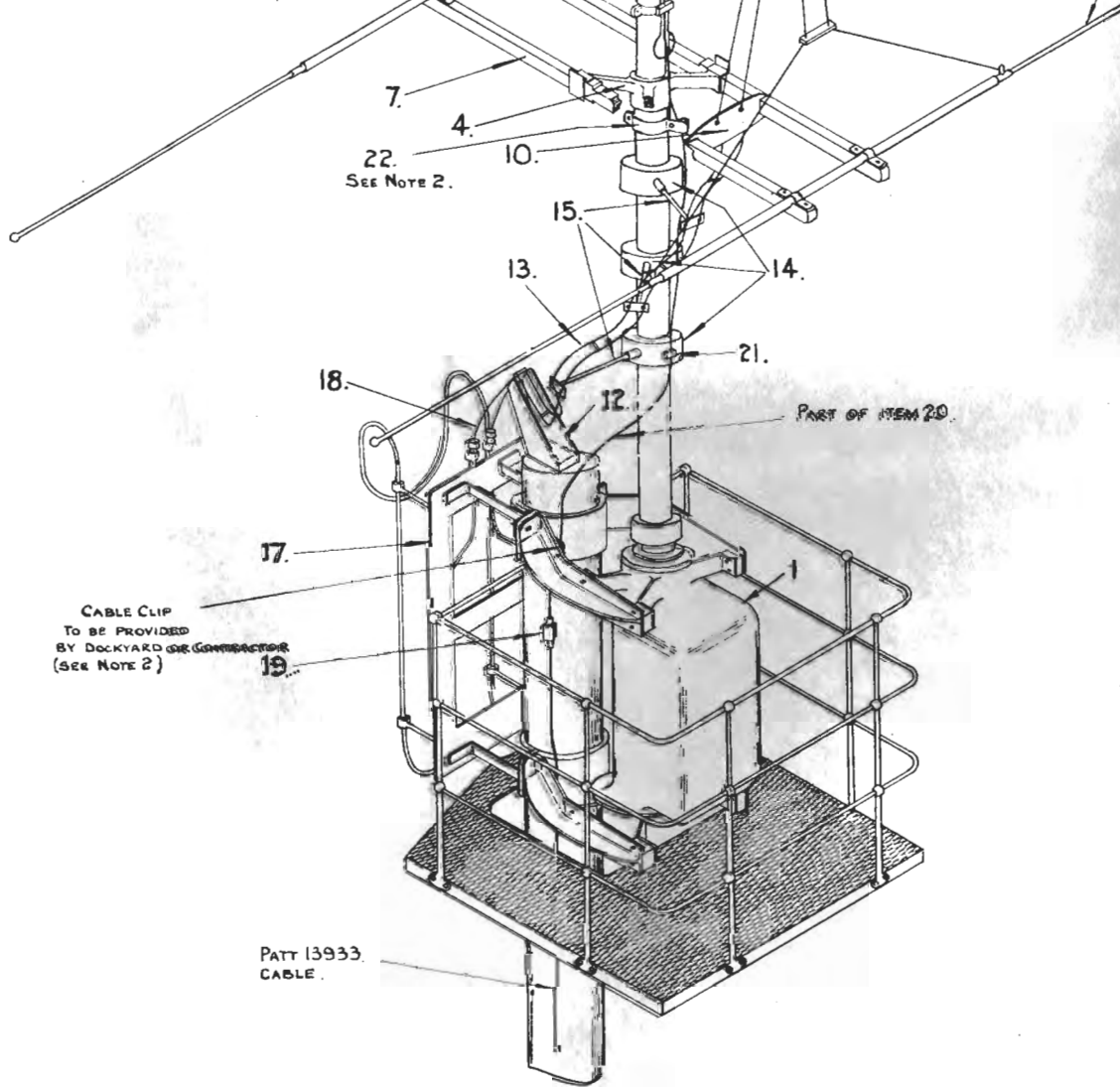


TYPE 243 INTERROGATOR AERIAL
(OUTFIT ASC).

**AERIAL OUTFIT ATD
WITH TEST DIPOLE**



7.
4.
22.
SEE NOTE 2.

10.
15.
13.
14.
21.

18.
12.
PART OF ITEM 20.

17.
CABLE CLIP
TO BE PROVIDED
BY DOCKYARD OR CONTRACTOR
(SEE NOTE 2)
19.

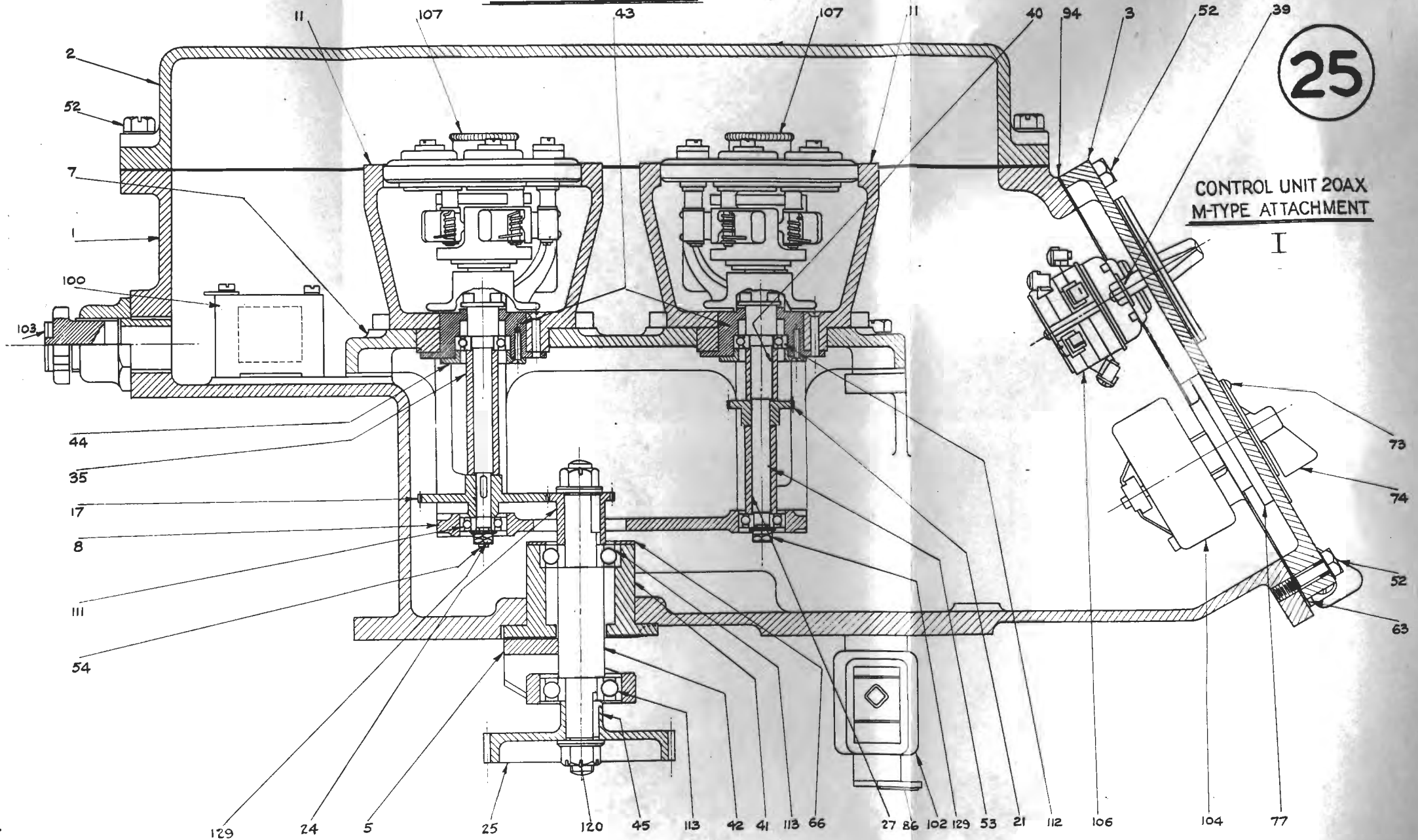
PATT 13933.
CABLE.

24

AERIAL ARRAY ATD. PARTS LIST.

Item No.	Patt. No.	Description	No.
1	W662 or W495	Aerial Pedestal 19B " " 19AX	1
2	W851 or W747 or W746 or W745 or W452.	Mast (T) stepped tubular steel 21'0" long 4" dia. base " (K) " " " 23'9" " " " " (J) " " " " " " " " (H) " " " " " " " " (G) " " " " " " "	1
3	W453	Bracket support (upper) for Outfit ATD.	1
4	W455	Bracket support (lower) for Outfit ATD.	1
5	W454	Bracket spur for Outfit ATD.	1
6	W855 or W756 or W755 or W754 or W456.	Support arm (T) Upper ATD. " " (K) " " " " (J) " " " " (H) " " " " (G) " "	1
7	W856 or W759 or W758 or W757 or W457.	Support arm (T) Lower ATD. " " (K) " " " " (J) " " " " (H) " " " " (G) " "	1
8	W857 or W750 or W749 or W748 or W458.	Rod, Design (T) for Outfit ATD. " " (K) " " " " " (J) " " " " " (H) " " " " " (G) " " "	1
9	W459	Support Arm 2' 0" long for Outfit ATD.	1
10	W465	Board terminal for Lower Support Outfit ATD.	1
11	W852 or W753 or W752 or W751 or W466.	Connections (T) Set of, for Outfit ATD. " (K) " " " " " " (J) " " " " " " " (H) " " " " " " " (G) " " " " " "	1
12	W467	Bracket, insulating, fitted, for masthead Outfit ATD.	1
13	W468	Connections, flexible, set of, Design "B" Outfit ATD.	1
14	W469	Supports, set of, for connections, flexible, Des. B.	3
15	W567	Support Arm 10 $\frac{1}{2}$ " long, for connection, flexible, Des. B.	3
16	W568	Bracket for connector ATD.	1
17	W2495/6/ 7/8.	Transformer, Matching Unit for Outfit ATD.	1
18	W3228	Aerial Connection.	1
19	7973	Box Junction, Masthead W. T.	1
20	58893	Aerial Dipole, Design 4.	1
21	W4273	Clamp for cable 0.405 diam.	3

SECTION ON 'AA'



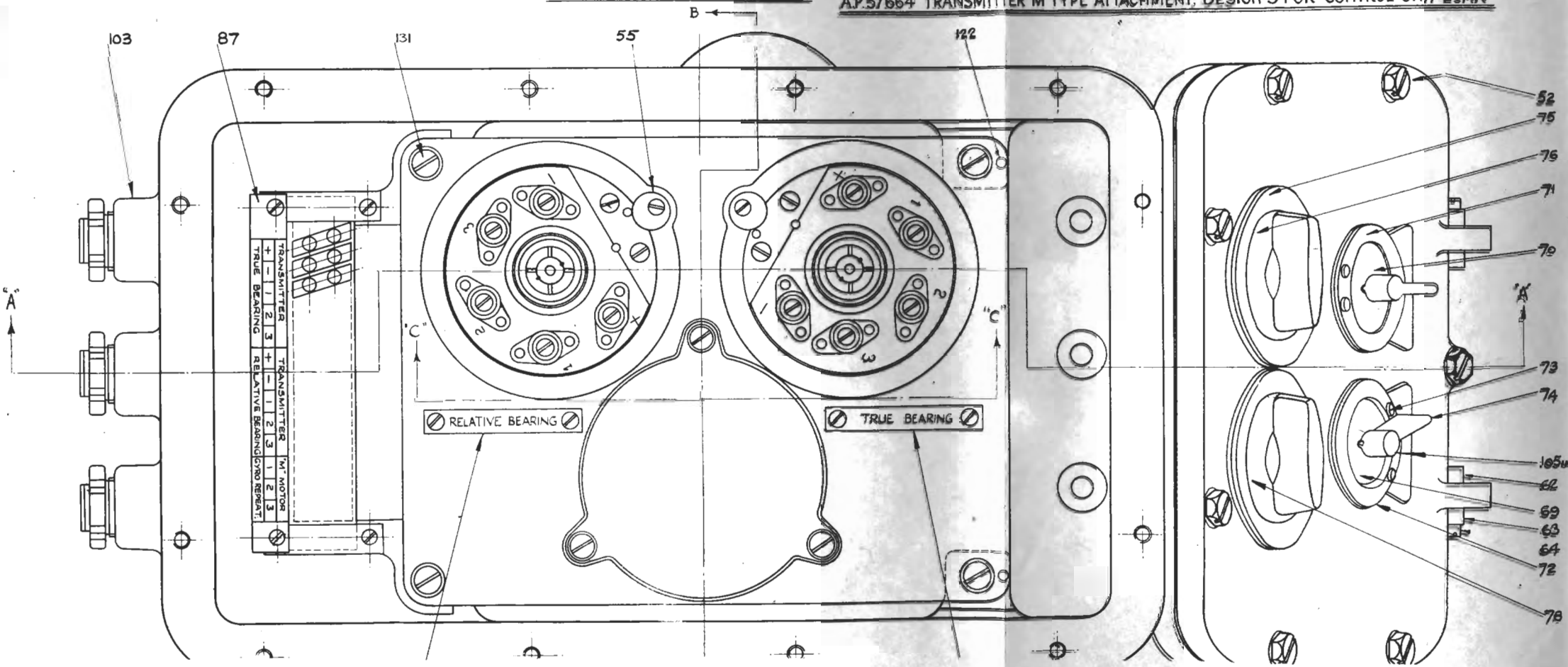
25

CONTROL UNIT 20AX
M-TYPE ATTACHMENT

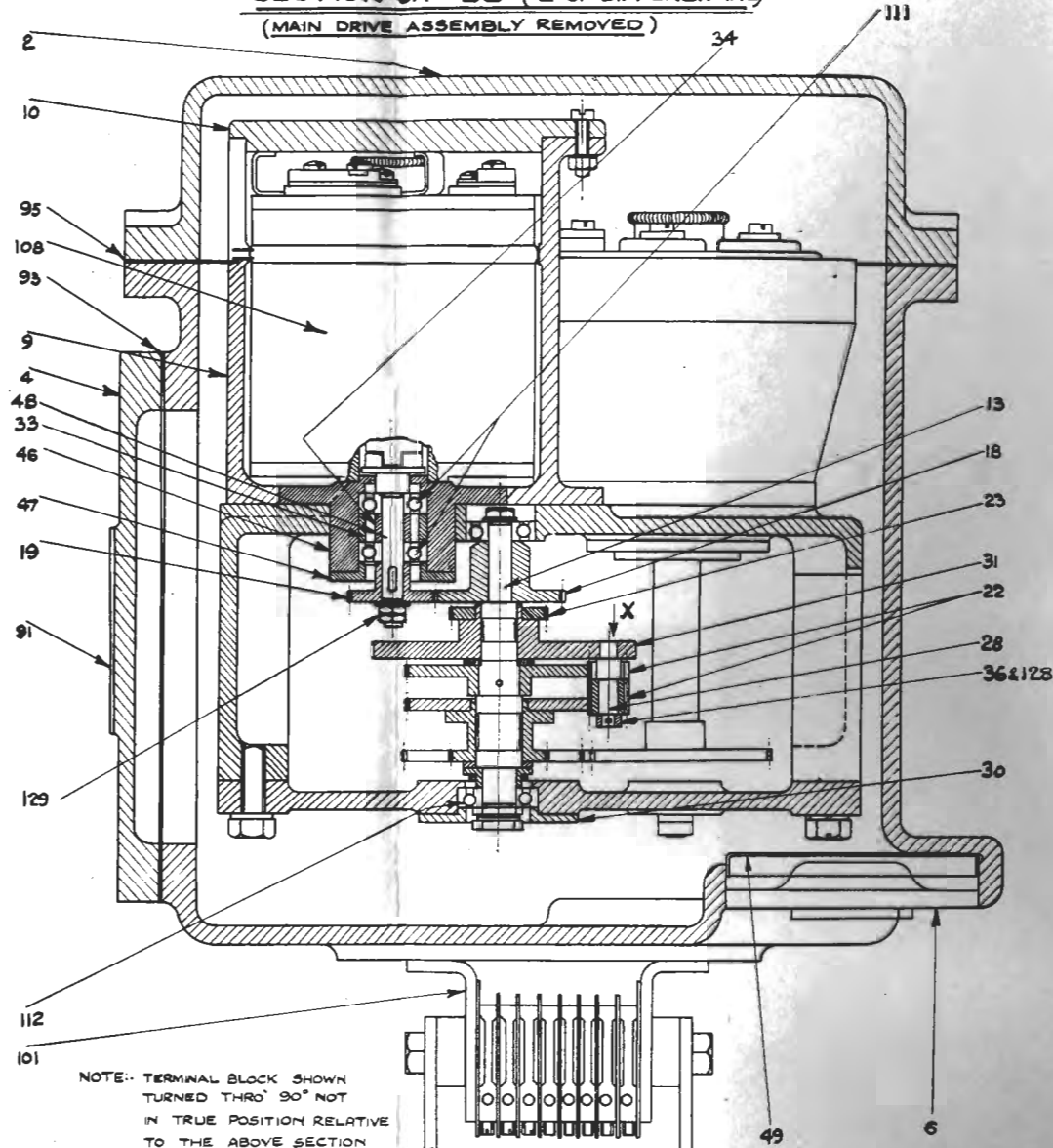
I

PLAN - COVER REMOVED

AP.57664 TRANSMITTER M TYPE ATTACHMENT, DESIGN 5 FOR CONTROL UNIT 20AX



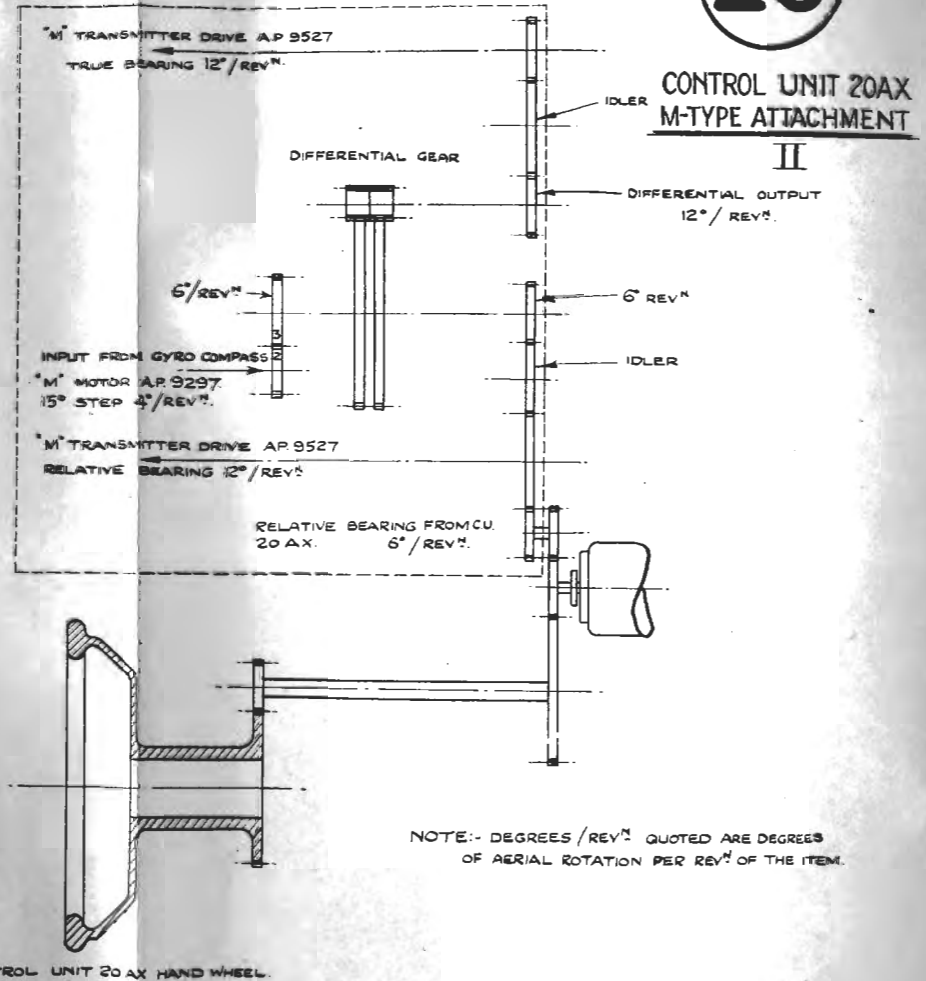
SECTION ON BB (1/4 OF DIFFERENTIAL)
 (MAIN DRIVE ASSEMBLY REMOVED)



NOTE:- TERMINAL BLOCK SHOWN
 TURNED THRO' 90° NOT
 IN TRUE POSITION RELATIVE
 TO THE ABOVE SECTION

SCHEMATIC LAYOUT OF GEARING.

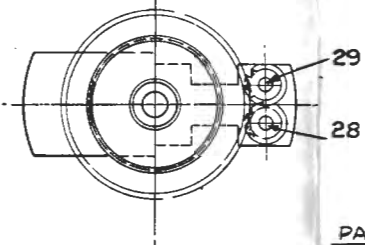
26



**CONTROL UNIT 20AX
 M-TYPE ATTACHMENT**
 II

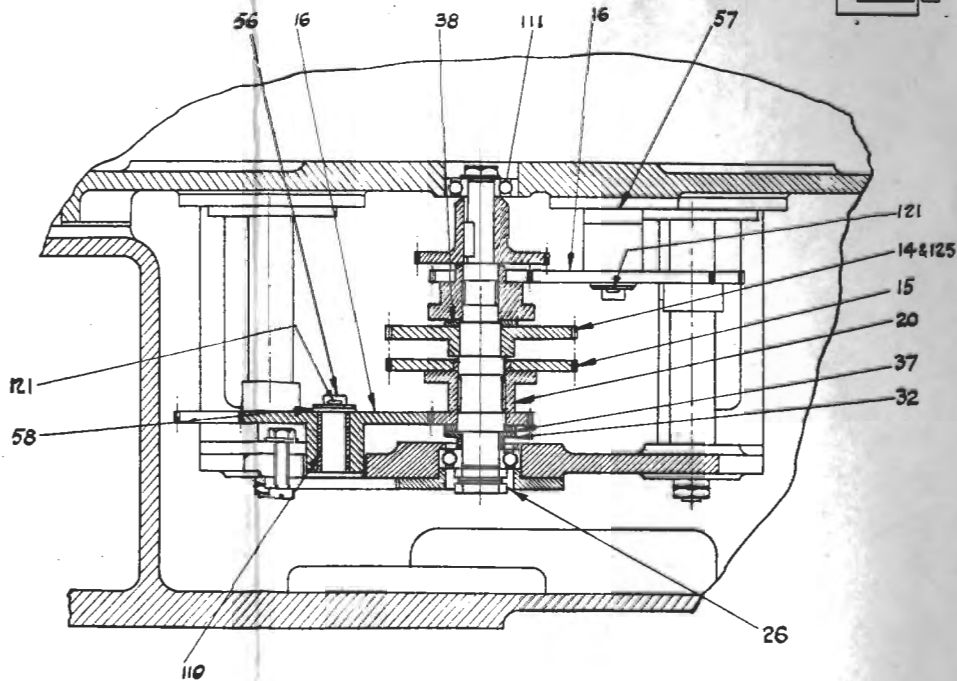
NOTE:- DEGREES / REV. QUOTED ARE DEGREES
 OF AERIAL ROTATION PER REV. OF THE ITEM.

PART VIEW AT 'X'

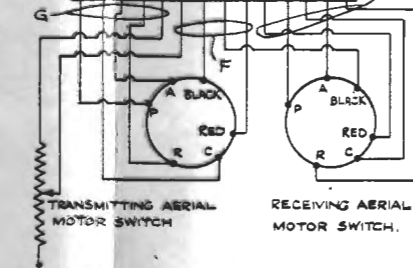
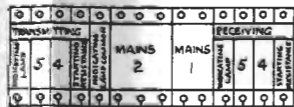
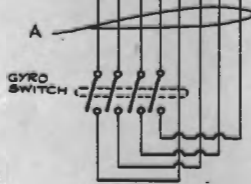
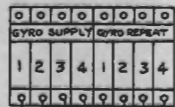


PART SECTION ON CC

(ϕ OF DIFFERENTIAL)



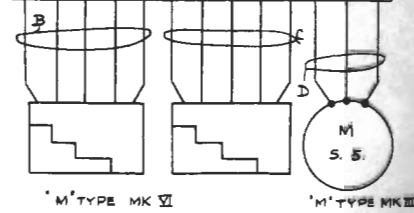
85 82



DIMMING RESISTANCE FOR INDICATING LAMPS.

NOTE:- CONTACTS IN AERIAL MOTOR SWITCHES ARE MADE

AS FOLLOWS:- STARTING:- RED TO R
BLACK TO C
RUNNING:- RED TO P & A
BLACK TO C



WIRE SYMBOL	ADMIRALTY RATING	N° CORES	DESCRIPTION
A	2 777	3	1,2,3,4 (GYRO REPEAT) 1,2,3,4 (GYRO SUPPLY)
B	2 776	5	+ - 1,2,3 TRANSMITTER (TRUE BEARING)
C	2 776	5	+ - 1,2,3 TRANSMITTER (BEARING RELATIVE)
D	2 775	3	1,2,3 'M' MOTOR
E	2 778	5	STARTING RES. 4, 5 INDICATING 230V LAMP 30W (RECEIVING)
F	2 778	5	230V 230V 230V 230V 230V 230V; 30W; 30W; 30W; 30W; SPARE.
G	2 778	5	INDICATING LAMP COMMON STARTING RESISTANCE 4, 5 INDICATING LAMP.

<u>Item.</u> <u>No.</u>	<u>Description.</u>
1.	Main Casting.
2.	Cover.
3.	Transmitter Cover.
4.	Inspection Cover.
5.	Main Drive Support Bracket.
6.	Bearing Cover.
7.	Gear Assembly Casting.
8.	Bearing Plate.
9.	'M' Type Motor Housing.
10.	Cover for Motor Housing.
11.	Transmitter Housing.
12.	
13.	Differential Shaft.
14.	Differential Wheel (A).
15.	Differential Wheel (B).
16.	Idler Gear.
17.	Transmitter Drive Gear (Relative).
18.	Drive Gear (A).
19.	Motor Pinion.
20.	Drive Gear (B).
21.	Transmitter Drive Gear (True).
22.	Differential Pinion.
23.	Output Pinion.
24.	Main Drive Gear.
25.	Large Driving Wheel.
26.	Lock Nut.
27.	Spacer.
28.	Stub Shaft.
29.	" "
30.	Bearing Clamp Ring.
31.	Pinion Carrier.
32.	Spacing Collar.
33.	Spacer.
34.	"
35.	"
36.	Lock Collar.
37.	Oilite Thrust Washer.
38.	" " "
39.	Distance Piece.
40.	Spacer.
41.	Bush for Main Drive.
42.	Main Drive Shaft.
43.	Bush for Transmitter Drive.
44.	Retaining Ring.
45.	Key.
46.	Bush for 'M' Type Motor.
47.	Retaining Ring.
48.	'M' Type Motor Shaft.
49.	Dust Cover.
50.	Distance Piece.
51.	Special Bolt.
52.	Captive Screw
53.	Transmitter Shaft (True).
54.	" " (Relative).
55.	Securing Plate.
56.	Stub Shaft for Bottom Idler.
57.	" " Upper Idler.
58.	Collar.
59.	
60.	

contd.

<u>Item.</u> <u>No.</u>	<u>Description.</u>
61.	
62.	Inner Hinge.
63.	Outer "
64.	Hinge Bolt.
65.	Gear Guard.
66.	Keep Plate.
67.	
68.	
69.	Dial.
70.	"
71.	Ring.
72.	"
73.	Stop.
74.	Handle.
75.	Ring.
76.	Dial.
77.	Adaptor.
78.	Dial.
79.	
80.	
81.	Tally Strip Support, Left Hand.
82.	" " " Right "
83.	
84.	
85.	Tally Strip.
86.	Tally Strip.
87.	Label.
88.	"
89.	"
90.	
91.	Nameplate.
92.	
93.	Gasket.
94.	"
95.	"
96.	
97.	
98.	Wiring Diagram.
99.	
100.	Board, Terminal, Multiway. Moulded Type, 13 Blocks.
101.	Terminal Block, 'N' Type, 8-way.
102.	Terminal Block, 'N' Type, 14-way.
103.	Cable Gland No. 3 Size.
104.	Dimming Resistance A.P. W1509.
105.	Switch Barrel Type, 4 Deep, Single Side.
106.	Switch, Santon, A.P. W3426.
107.	Transmitter "M" Type, A.P. 9527.
108.	"M" Motor (Mk. III) A.P.
109.	
110.	Oilite Bearing Ref. C.T.1. $\frac{5}{8}$ ".
111.	Ball Bearing Ref. B.R.E. $\frac{1}{4}$ ".
112.	" " " " $\frac{3}{8}$ ".
113.	" " " B.A.L. $\frac{1}{2}$ ".
114.	
115.	
116.	Key B.S.K. $5/32$ " R $\frac{5}{8}$ " Long.
117.	
118.	Key B.S.K. $3/32$ " S $3/32$ " Long
119.	" " $3/32$ " x $\frac{3}{8}$ " Long.
120.	Split Pin, $1/16$ " Dia. $\frac{5}{8}$ " Long.
121.	Split Pin, $1/16$ " Dia. $\frac{1}{2}$ " Long.

<u>Item No.</u>	<u>Description.</u>
122.	Dowel Pin, 5/32" Dia. 1" Long.
123.	" " " " 3/4" Long.
124.	" " " " 5/8" Long.
125.	Taper Pin, 3/32" Dia. 5/4" Long.
126.	
127.	
128.	Taper Pin, 1/16" Dia. 5/16" Long.
129.	Lock Nut, 2BA.
130.	Screw, 4BA C.S.K. Hd. 3/4" Long.
131.	Bolt, O.B.A. Hex. Hd. 1" Long, Screwdriver Slot.
132.	" " " " 3/4" "
133.	Screw, 2BA. C.S.K. Hd. 3/4" Long.
134.	" " " " 5/8" "
135.	" " CH. " 9/16" Long.
136.	" " " " 1" Long.
137.	" 4BA C.S.K. " 1 1/4" Long.
138.	" 2BA C.H. " 1 1/4" Long.
139.	" 4BA " " 1 1/2" Long.
140.	" " " " 1" "
141.	" " " " 1" "
142.	Screw 6BA C.S.K. " 1 1/2" "
143.	" " " " 1 1/4" "
144.	" " " " 1" "
145.	" " INST Hd. 3/4" "
146.	" " " " 1 1/4" "
147.	Grub screw, 8BA C.S.K. Hd. 5/32" Long.
148.	Bolt, O.B.A. Hex. Hd. 5/8" Long.
149.	Screw, 2BA C.S.K. Hd. 1/2" "
150.	Washer, O.B.A.
151.	Nut, 2BA Std.
152.	Nut, 4BA.
153.	Castlenut, 3/8" B.S.F.
154.	Washer, 2BA Std.
155.	" single coil, Lock, O.B.A. Std.
156.	" " " " 2.B.A. "
157.	" " " " 4.B.A. "
158.	" 3/2" O/D, 13/32" I/D, 3/32" Thick.
159.	Screw, 6.B.A. Rd. Hd. 1/4" Long.
160.	" 2.B.A. C.S.K. Hd. 1 1/4" Long.
161.	
162.	
163.	Screw, 4B.A. 5/16" CH. Hd.
164.	" " C.S.K. Hd, 3/4" Long.