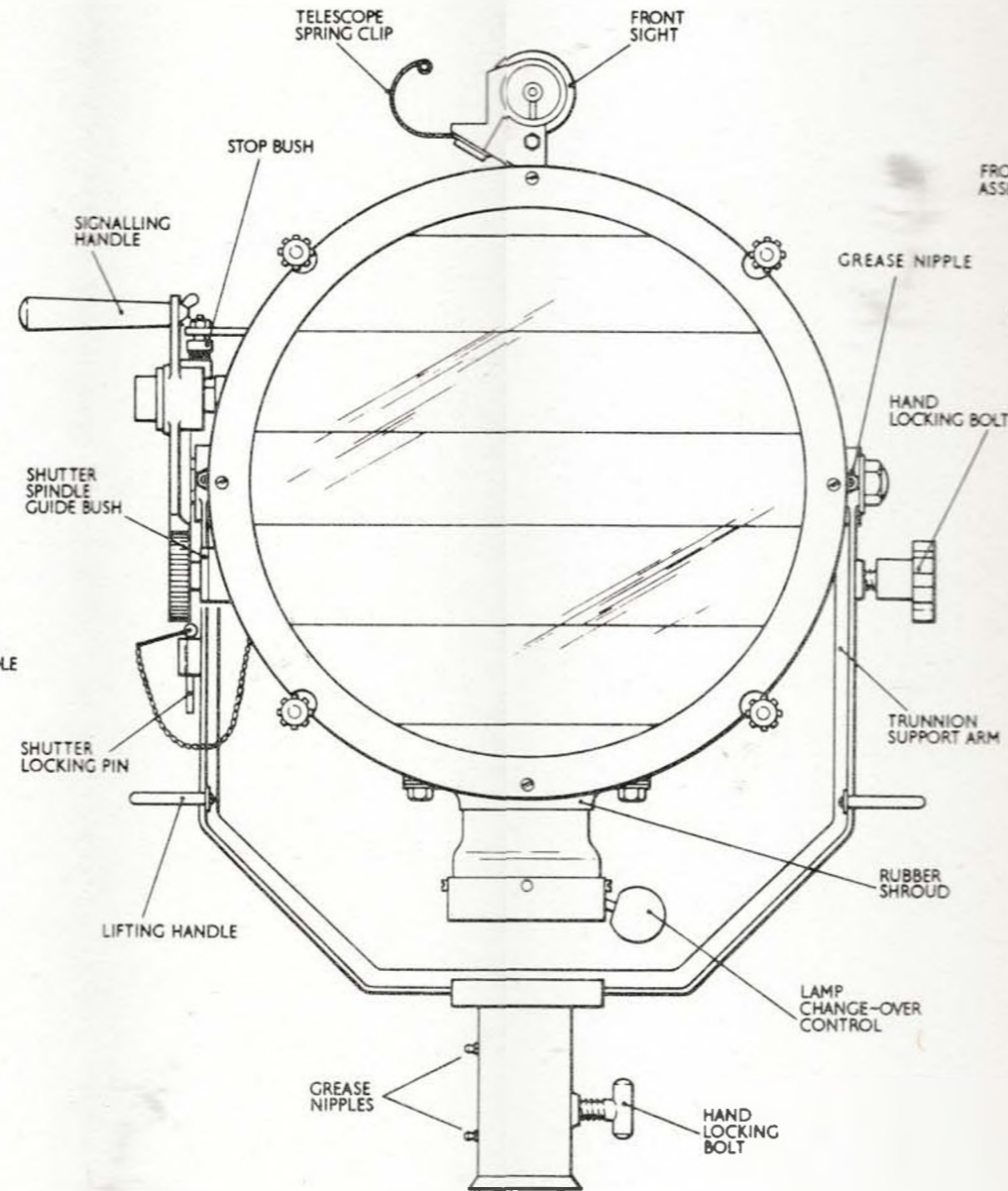
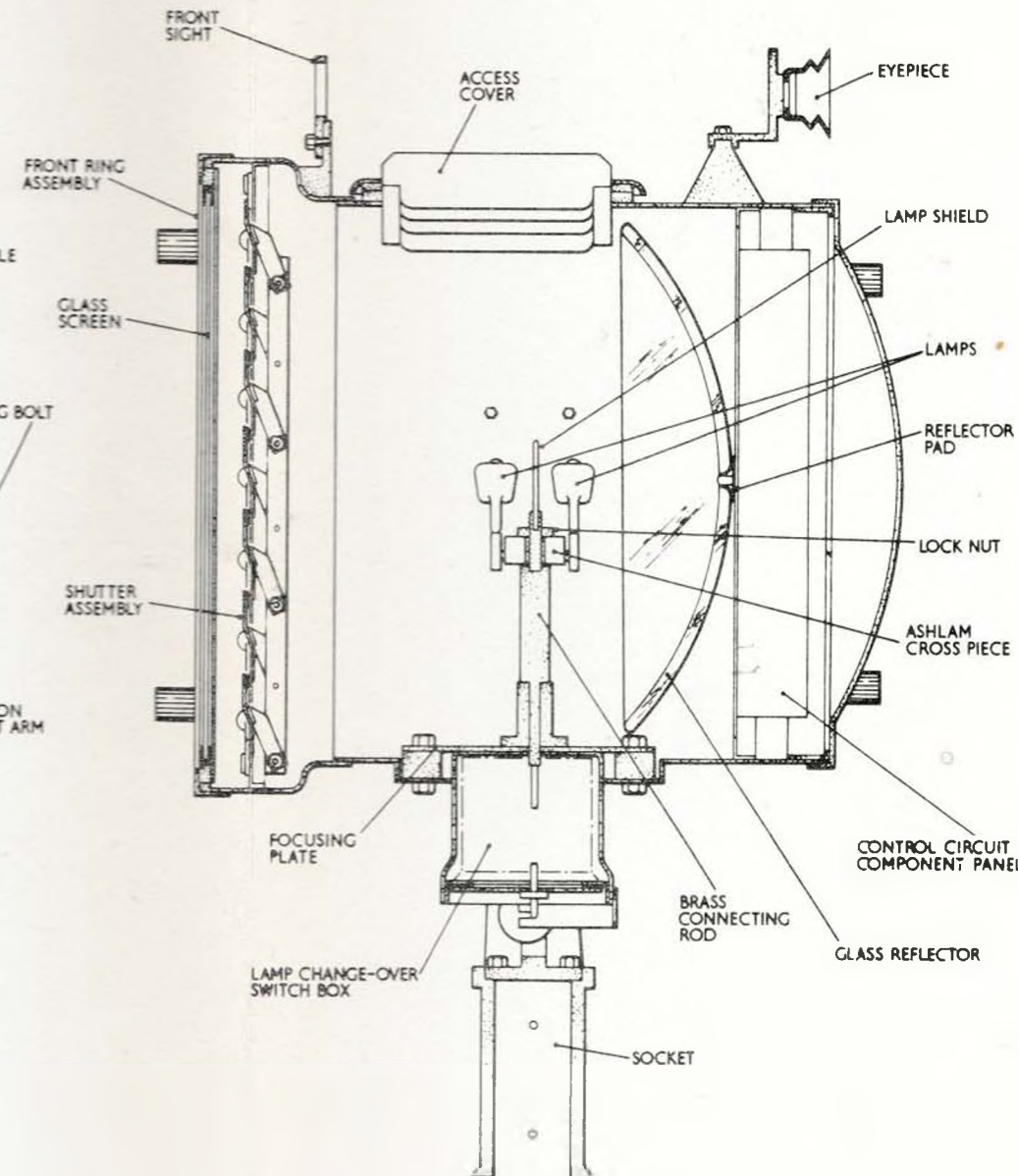


(a) SIDE VIEW



(b) FRONT VIEW



(c) SECTIONAL VIEW

15-INCH DUAL PURPOSE SIGNALLING PROJECTOR GENERAL ARRANGEMENT - FIG. 3.2