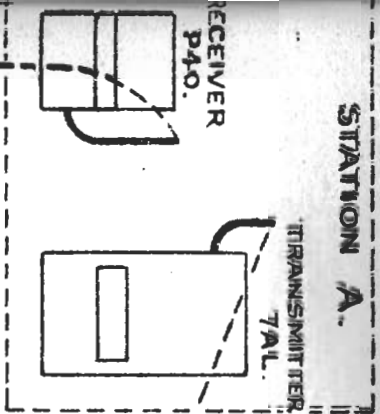


STATION A.

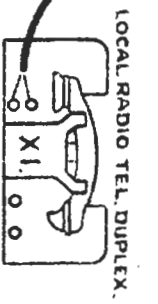
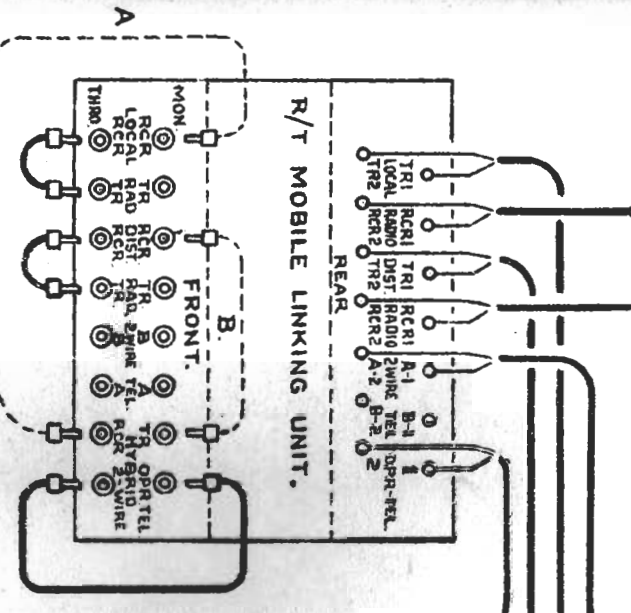
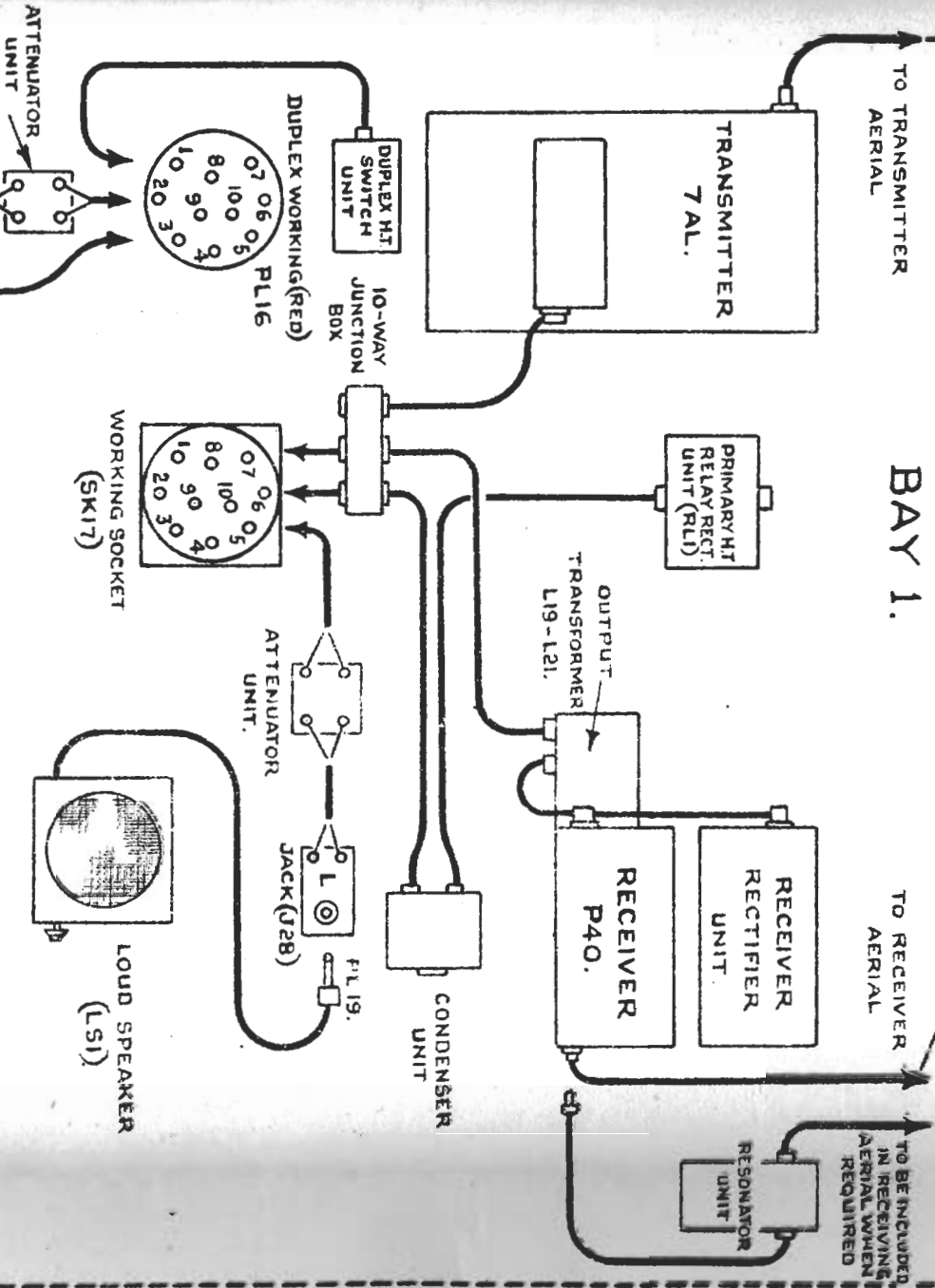
(FOR FULL DETAILS OF REMAIND



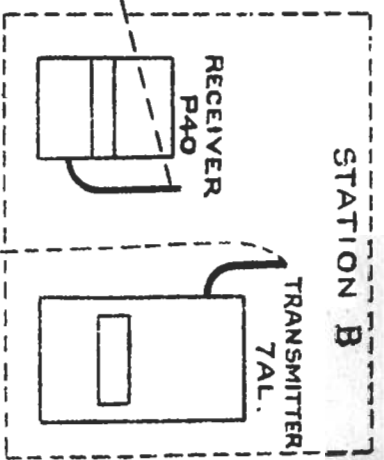
FREQUENCY 4.

BAY 1.

FREQUENCY 1.



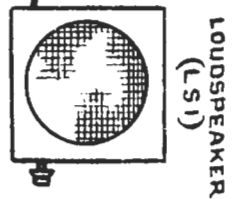
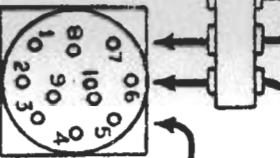
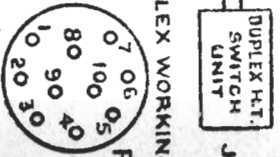
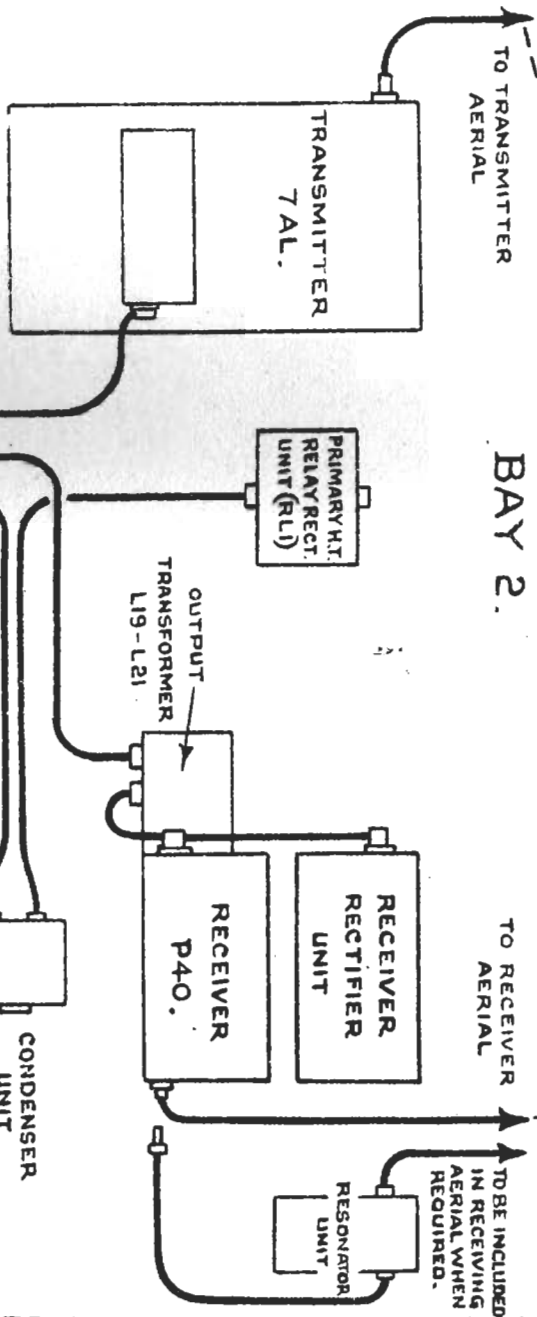
NOTE:--
 PARCHING CORDS 'A' AND 'B' ARE TO BE CONNECTED ONLY WHEN LINKING STATION OPERATOR WISHES TO SPEAK TO EITHER DISTANT STATION.



FREQUENCY 3.

FREQUENCY 2.

BAY 2.



ATTENUATOR UNIT

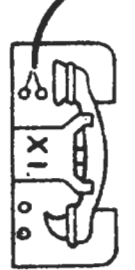
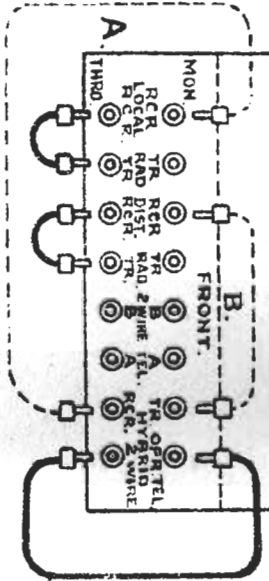
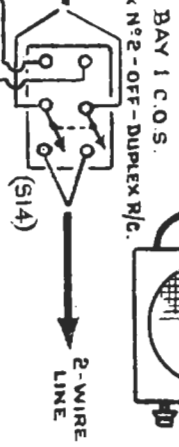
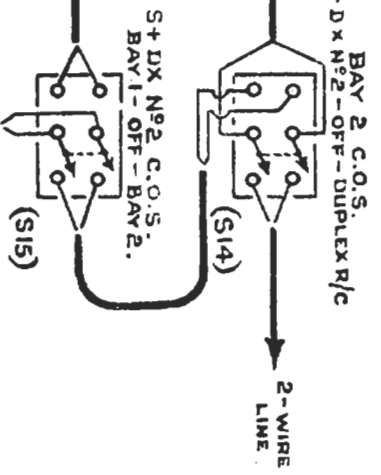
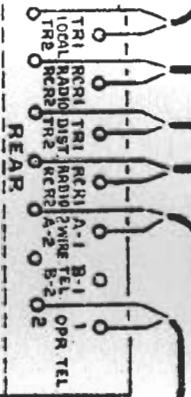
ATTENUATOR UNIT

JACK (J28)

PL19. CONDENSER UNIT.

ATTENUATOR UNIT

ATTENUATOR UNIT



LOCAL RADIO TEL. DUPLEX.