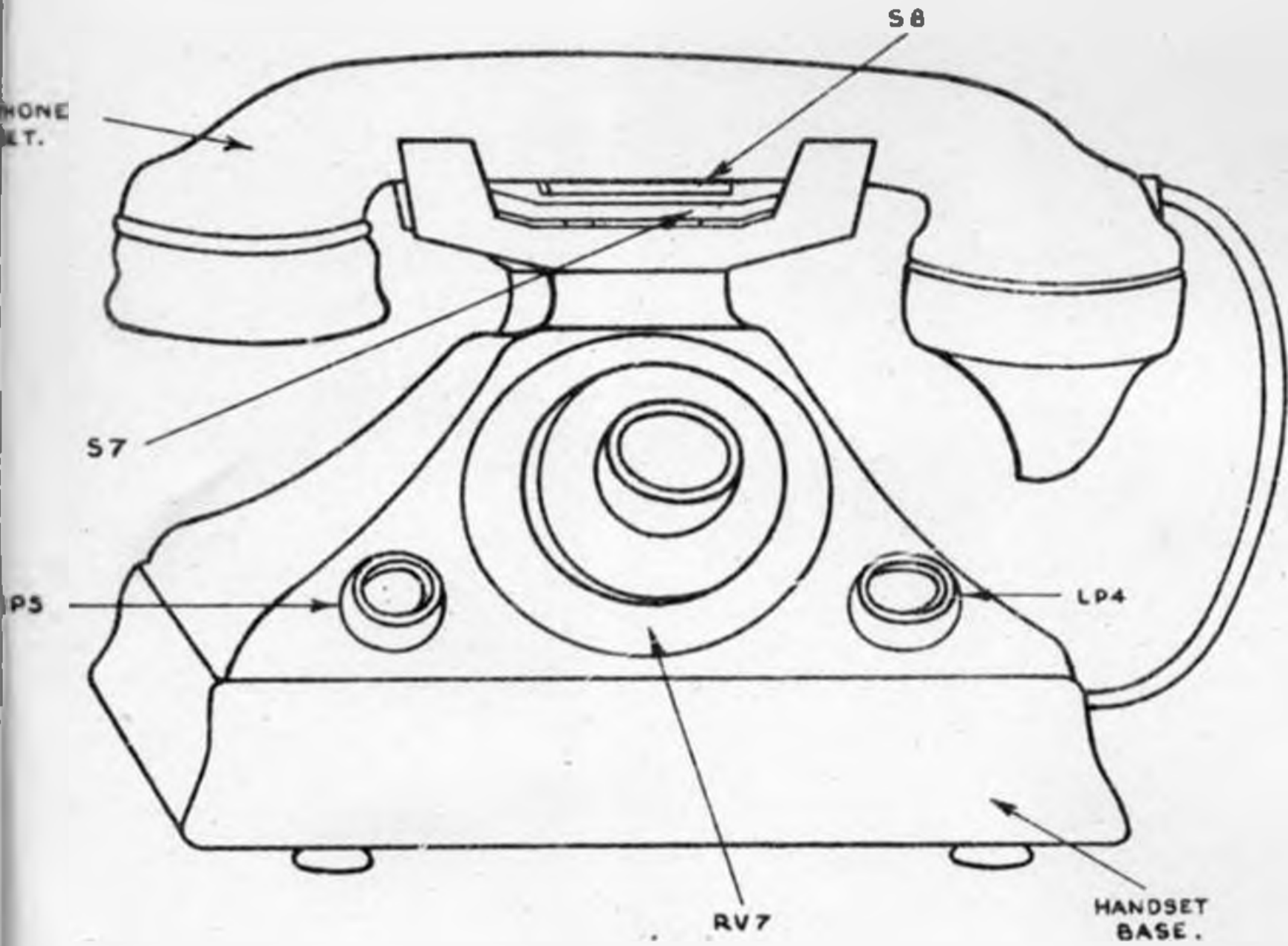
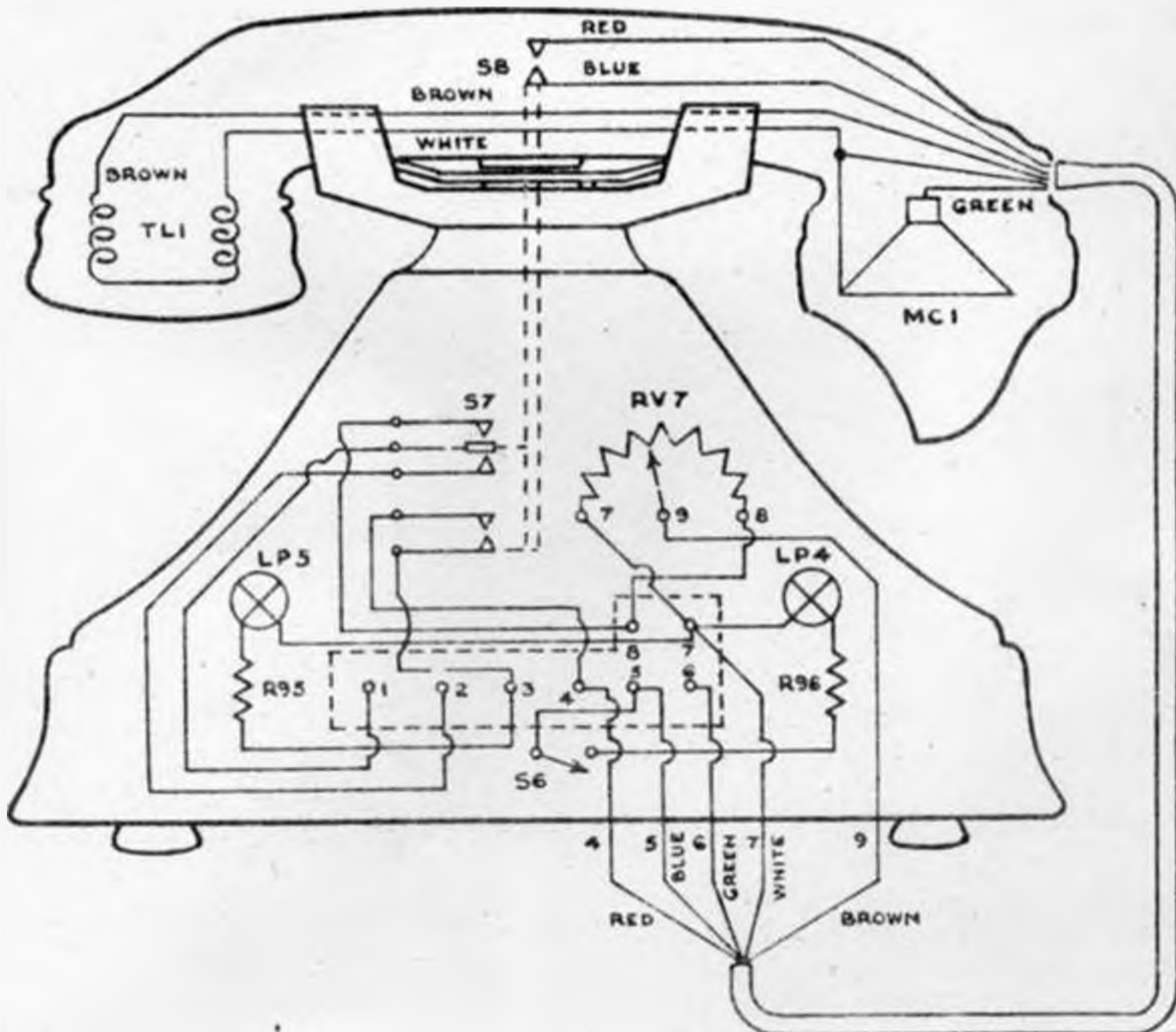


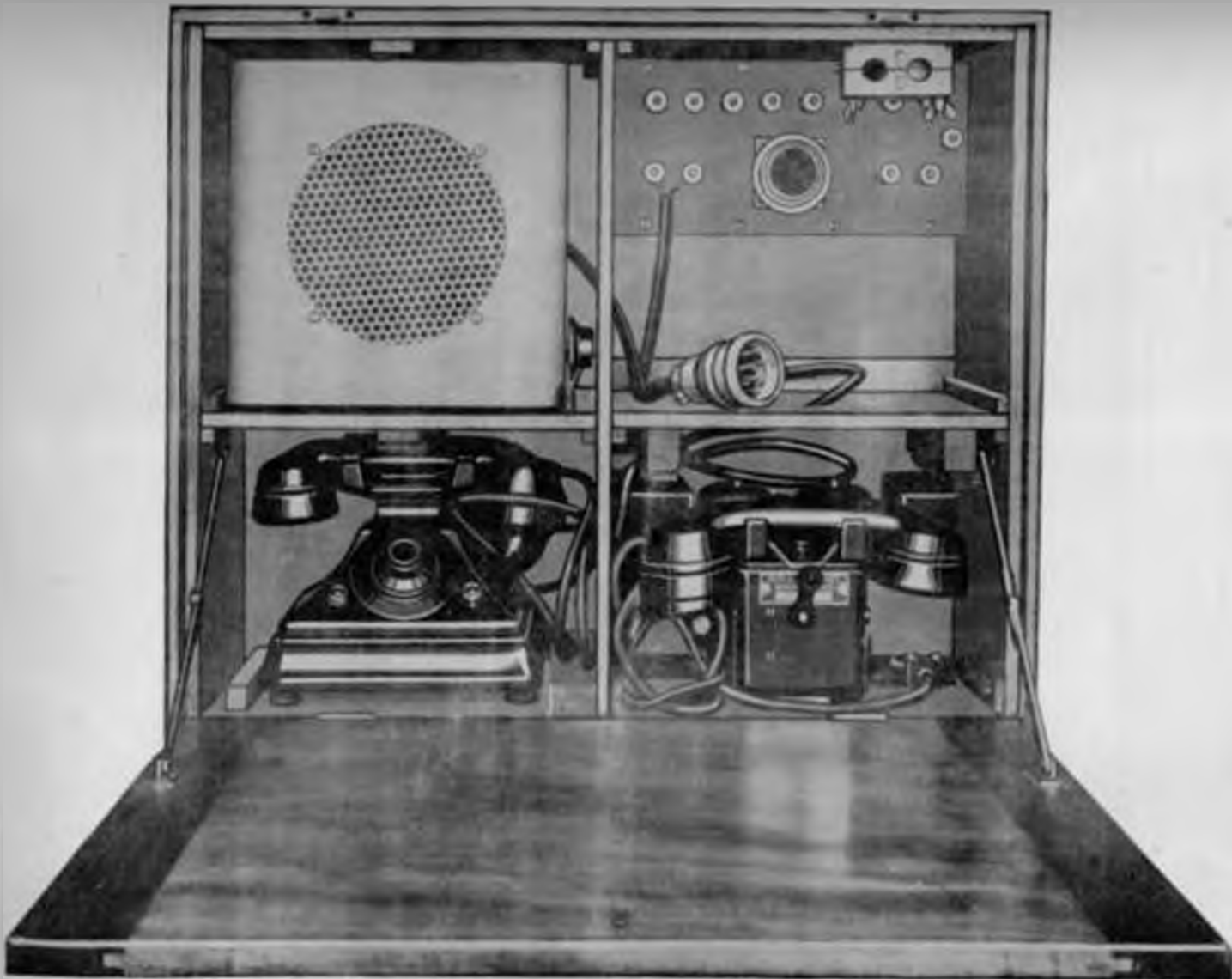
# TELEPHONE HANDSET AP.W 8213, AND HANDSET BASE APW7959.

## A. FRONT VIEW.



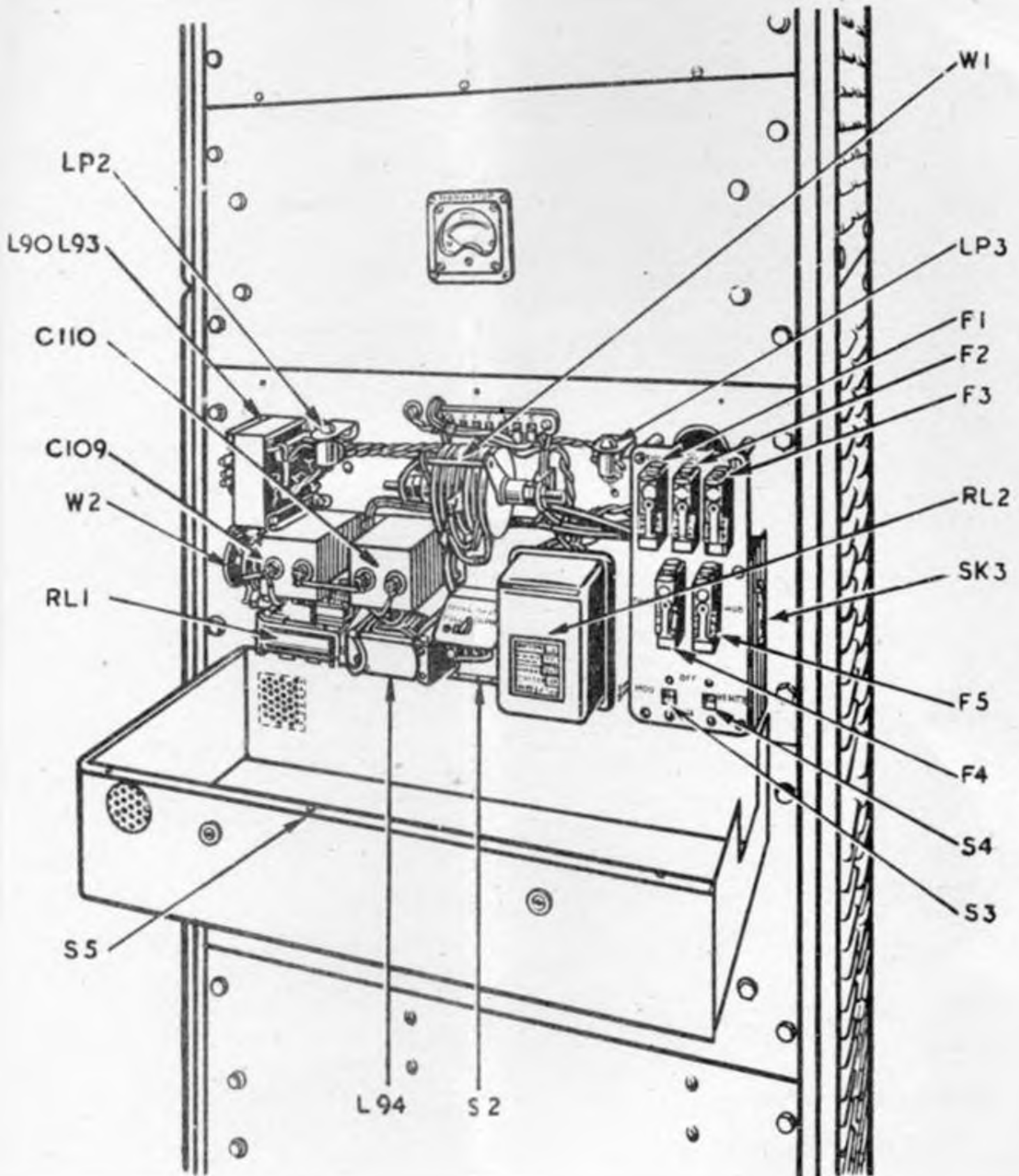
## B. WIRING DIAGRAM.





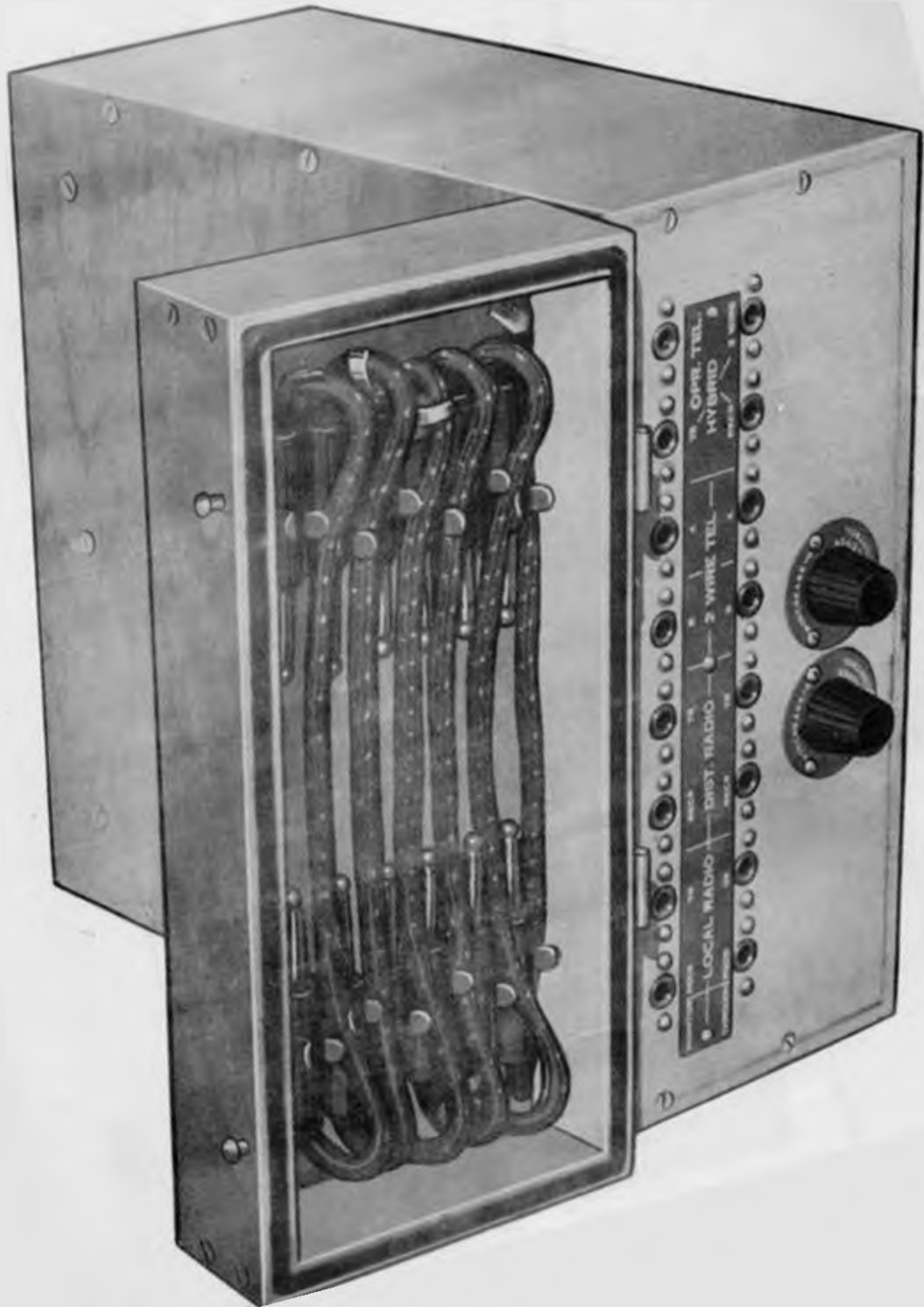
**TELEPHONE SET FOR REMOTE OPERATION CABINET OPEN**

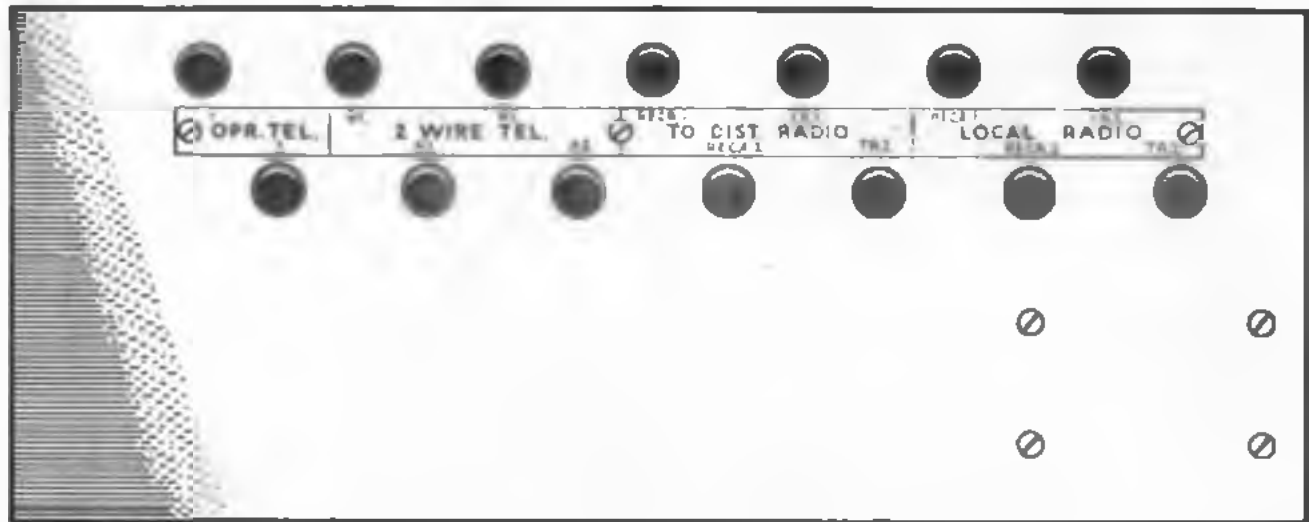
(A) COVER DOWN.



R/T MOBILE LINKING UNIT  
A.P. W9099B.  
(FRONT VIEW.)

16





**R/T MOBILE LINKING UNIT  
AP W9099B BACK VIEW**