

MASTER OSCILLATOR CIRCUITS

SIMPLIFIED DIAGRAMS

MASTER OSCILLATOR CIRCUITS SIMPLIFIED DIAGRAMS

M/F

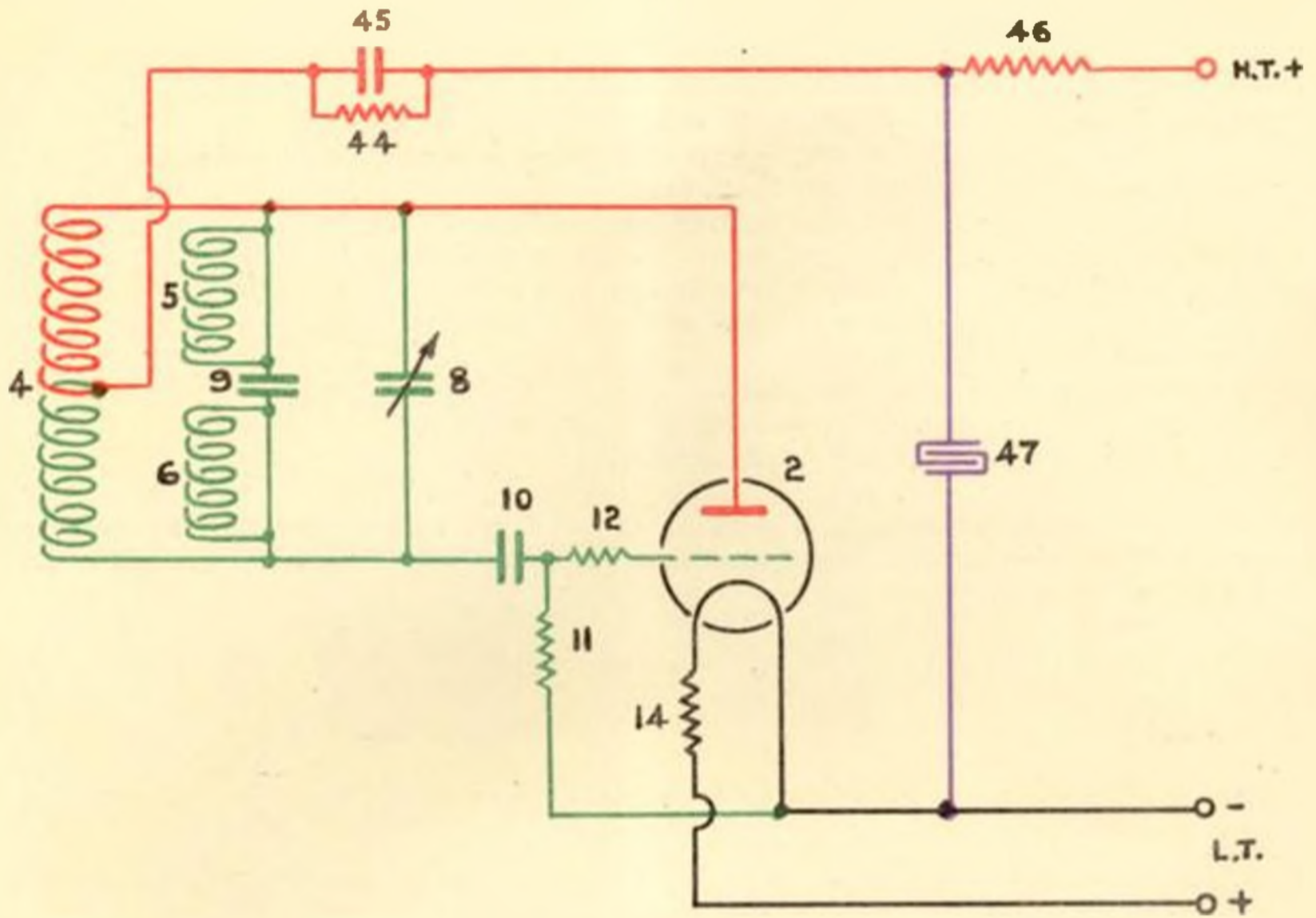


FIG.C

I/F

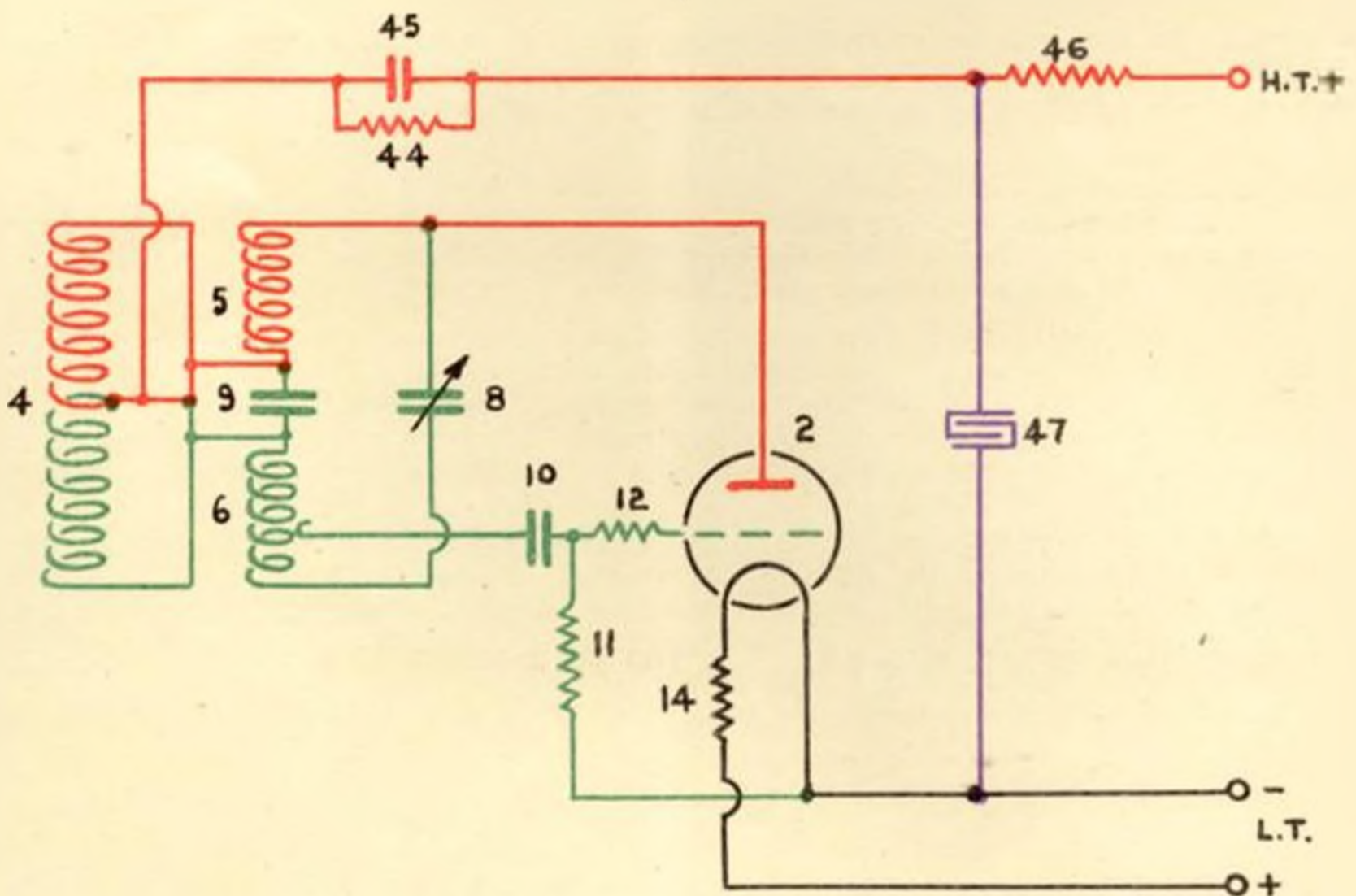


FIG.d

MODULATOR CIRCUITS SIMPLIFIED DIAGRAMS

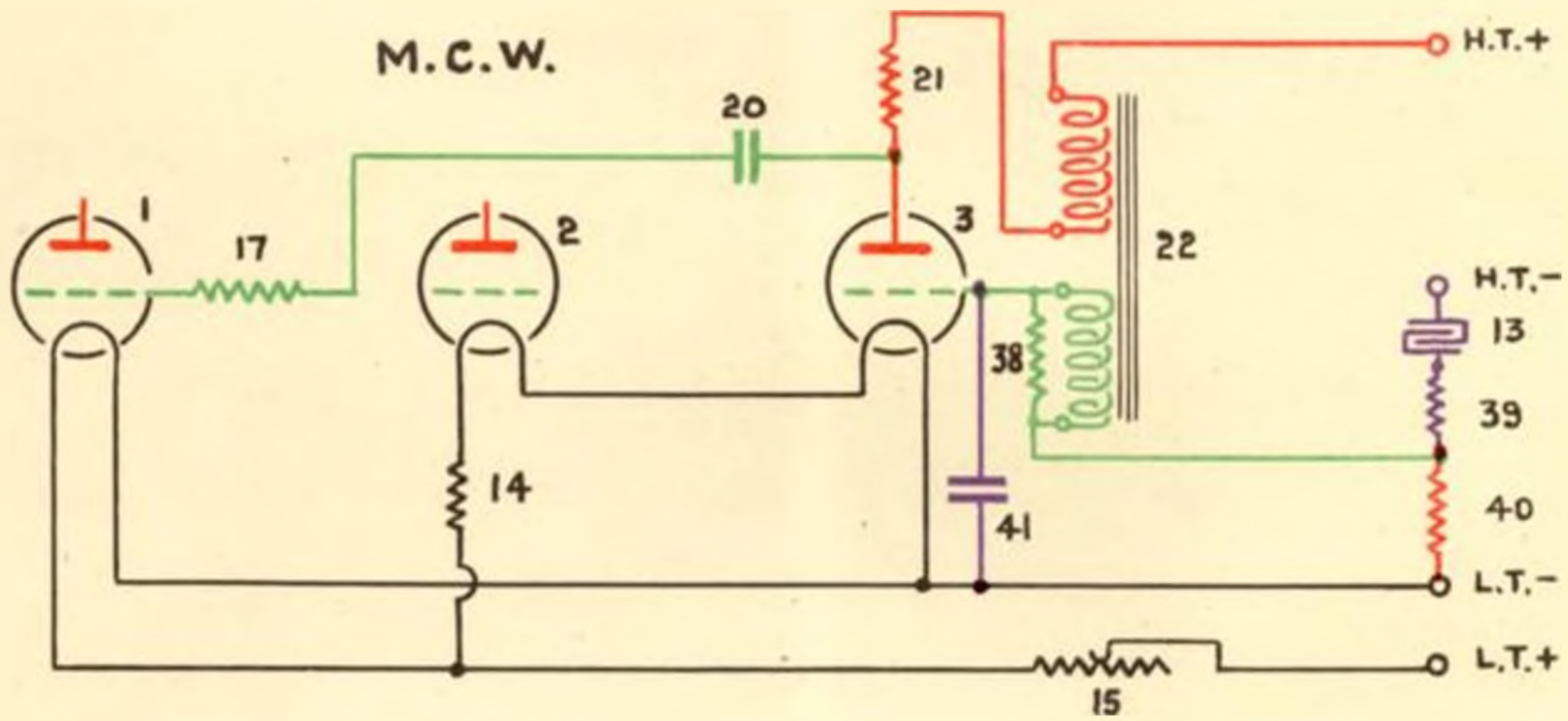
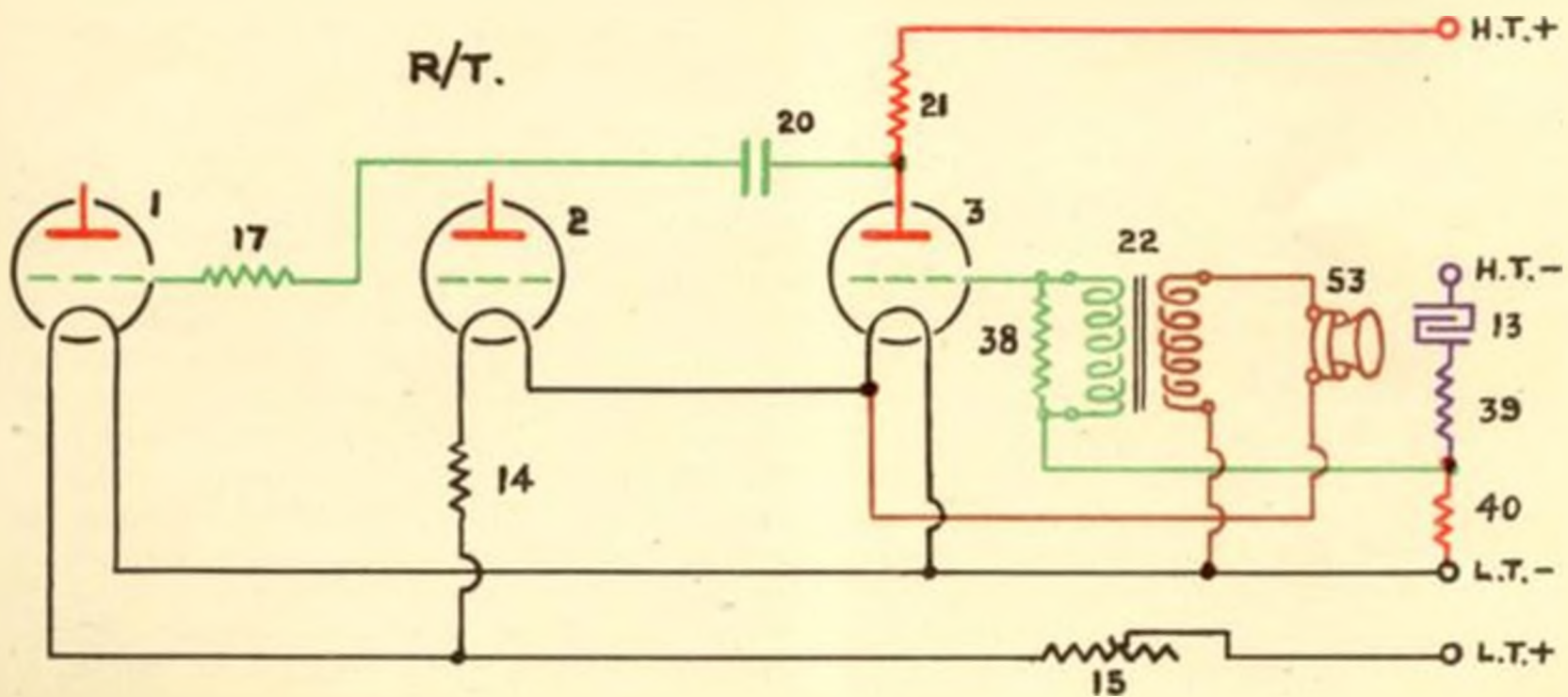
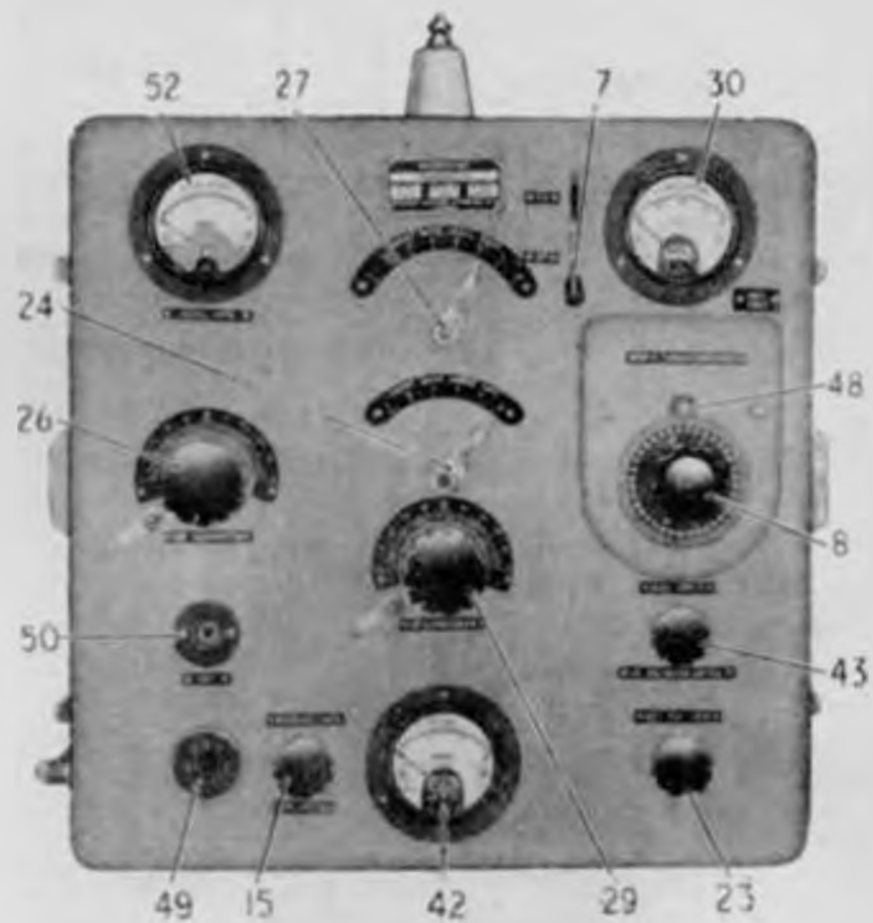
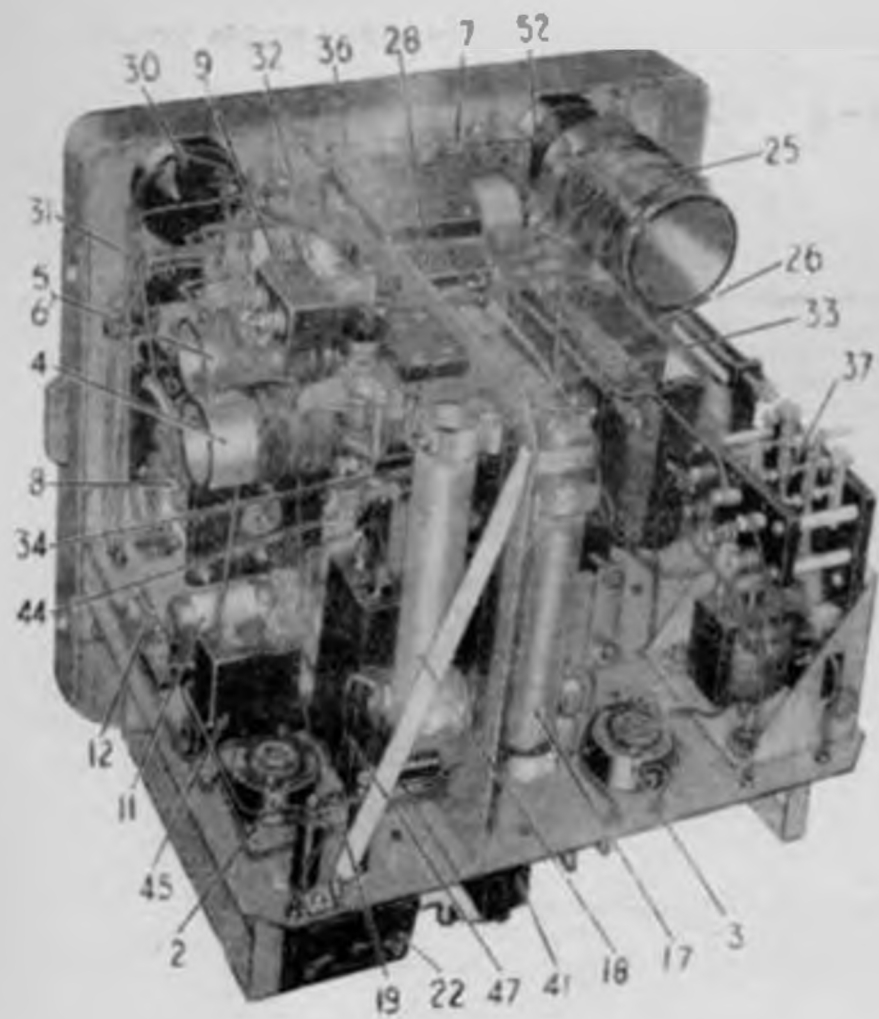


FIG. 1.





TYPE TW12 A AND TW12B

RY 17

RECEIVER 394 E

INTERIOR VIEW

