

TRANSMITTER T48

Y13

Date of design:- 1928
Frequency range:- 19,740 - 23,570 kc/s.
Power supply:- Dual purpose generator, 120 watts 1200 volts, and
40 watts 10 volts.
Associated wavemeter:- G6.
Valves used:- One D.E.T.1.
Approximate range in miles:- 25 miles.

Wave form	Method of producing oscillation	Nature of circuit	Grid excitation	Feed	Aerial excitation	High oscillating potential electrode.
I. C. W.	Self.	Tuned circuit between anode and filament.	Mutual inductive.	Series	Direct inductive.	Anode

Transmitter T48 is an H/F I. C. W. transmitter. It is mounted together with receiver R47 in a wooden crate.

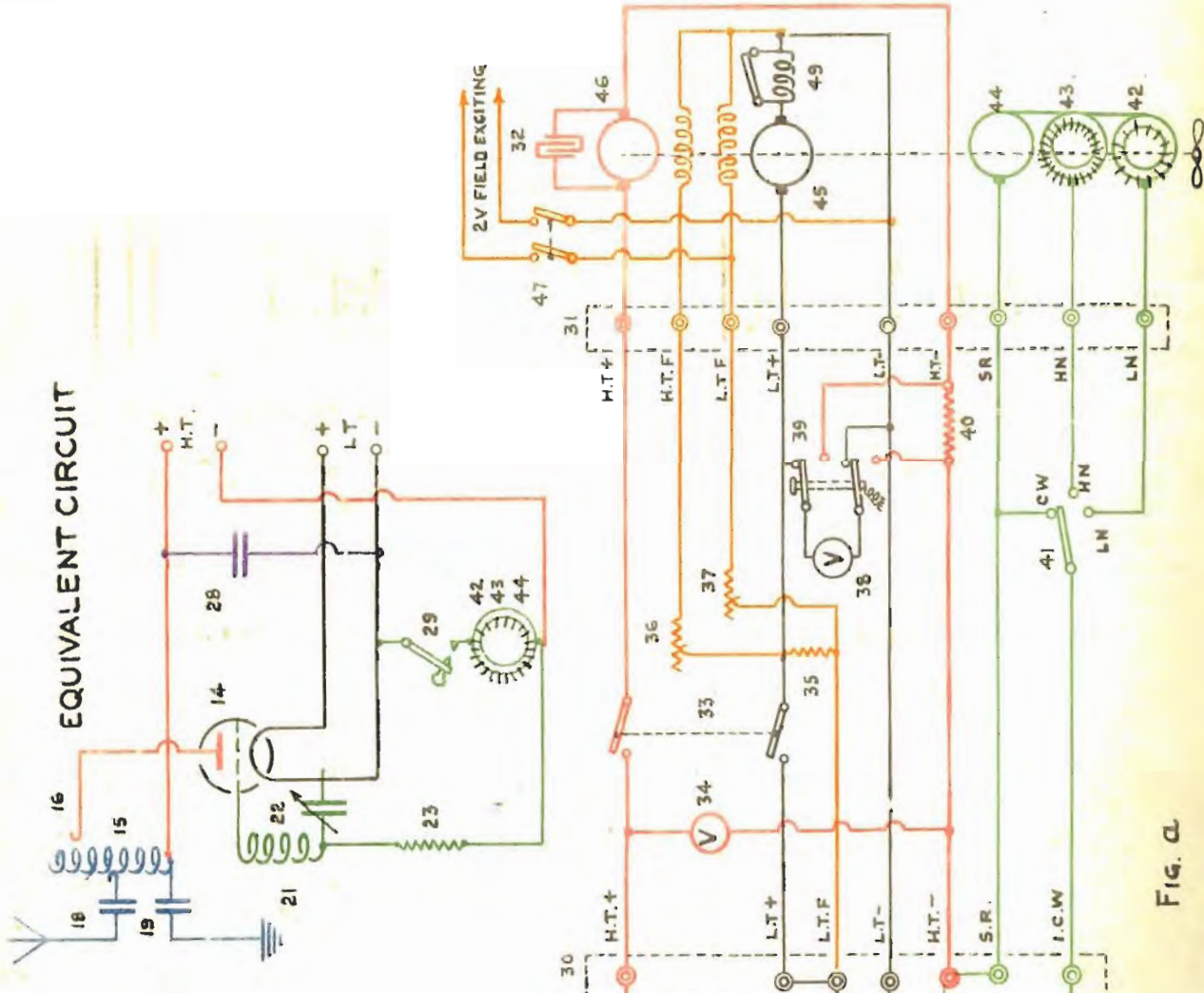
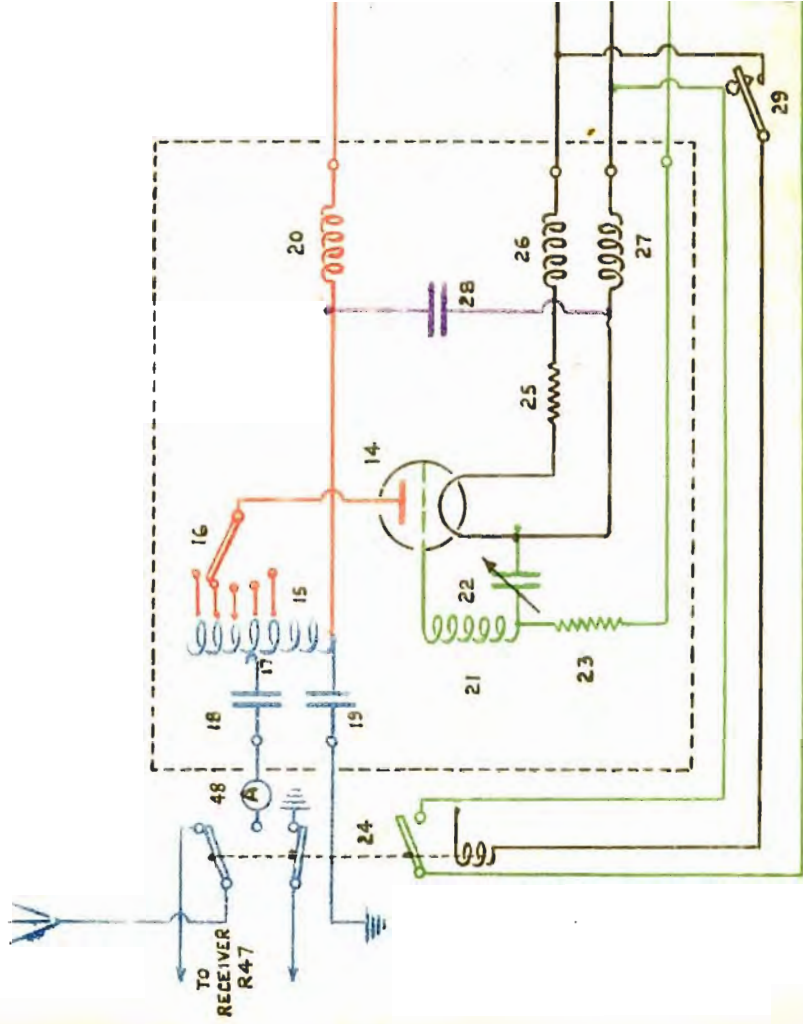


Fig. a



TRANSMITTER T48

Signalling. A magnetic or listening through key (24) may be fitted. It has three contacts which, when operated, carry out the following functions in the order mentioned:-

Number One Contact. Breaks the receiving aerial and makes the transmitting aerial.

Number Two Contact. Breaks the receiver earth.

Number Three Contact. Makes the H.T. negative lead and connects the grid leak (23) to filament negative.

The bobbin of the magnetic key (24) is supplied from the 10 volt armature (45) of the generator and the circuit is made and broken by the morse key (29). In some cases separate transmitting and receiving aerials are fitted. In this case, the magnetic key (24) is not fitted and the morse key (29) takes the place of number three contact of the magnetic key.

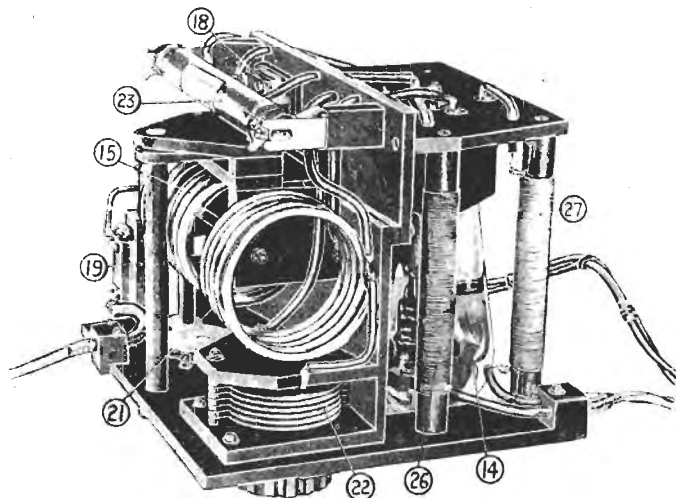


Fig. 6

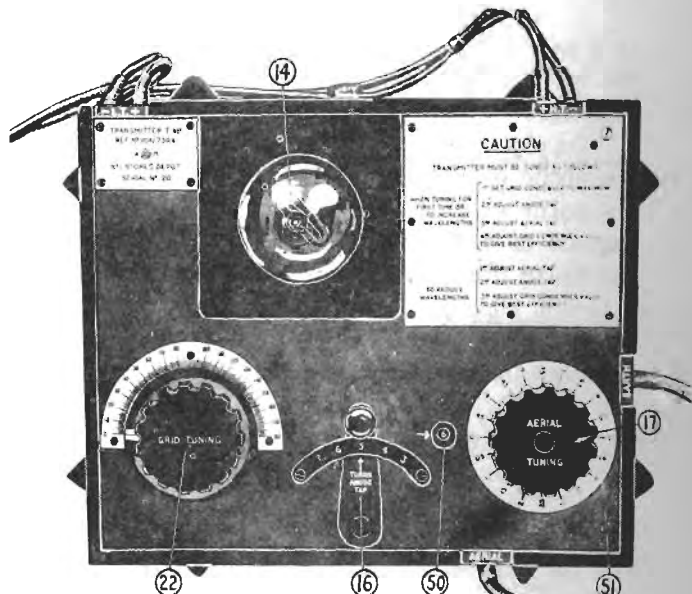


Fig. 7