

FIG. A

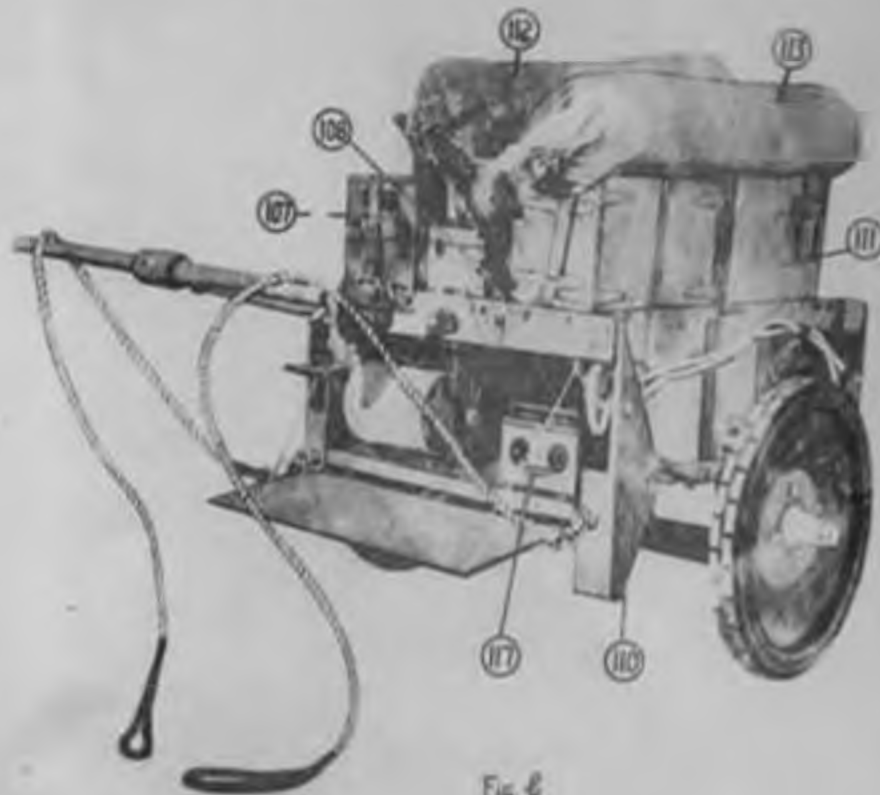


FIG. B

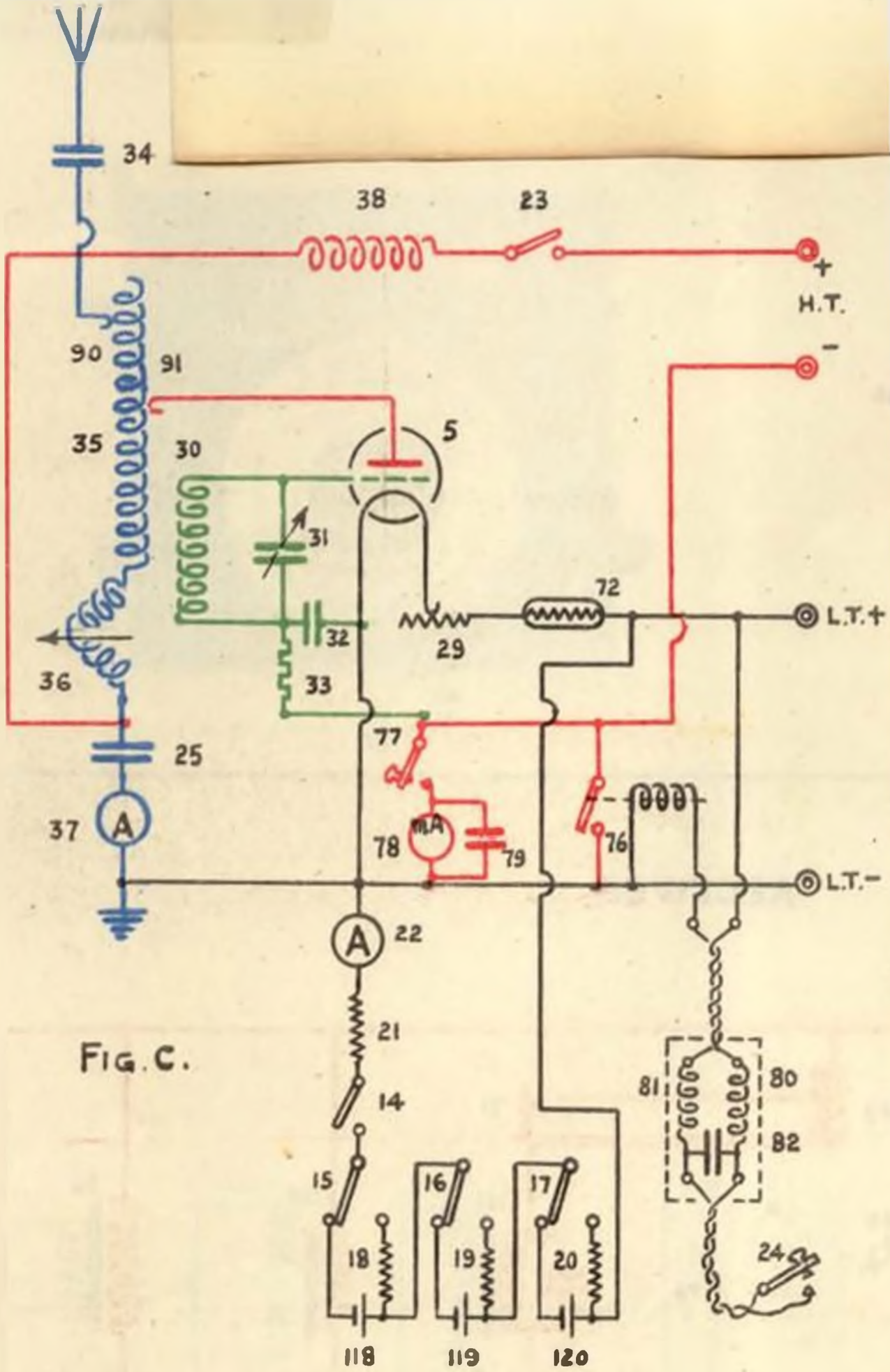
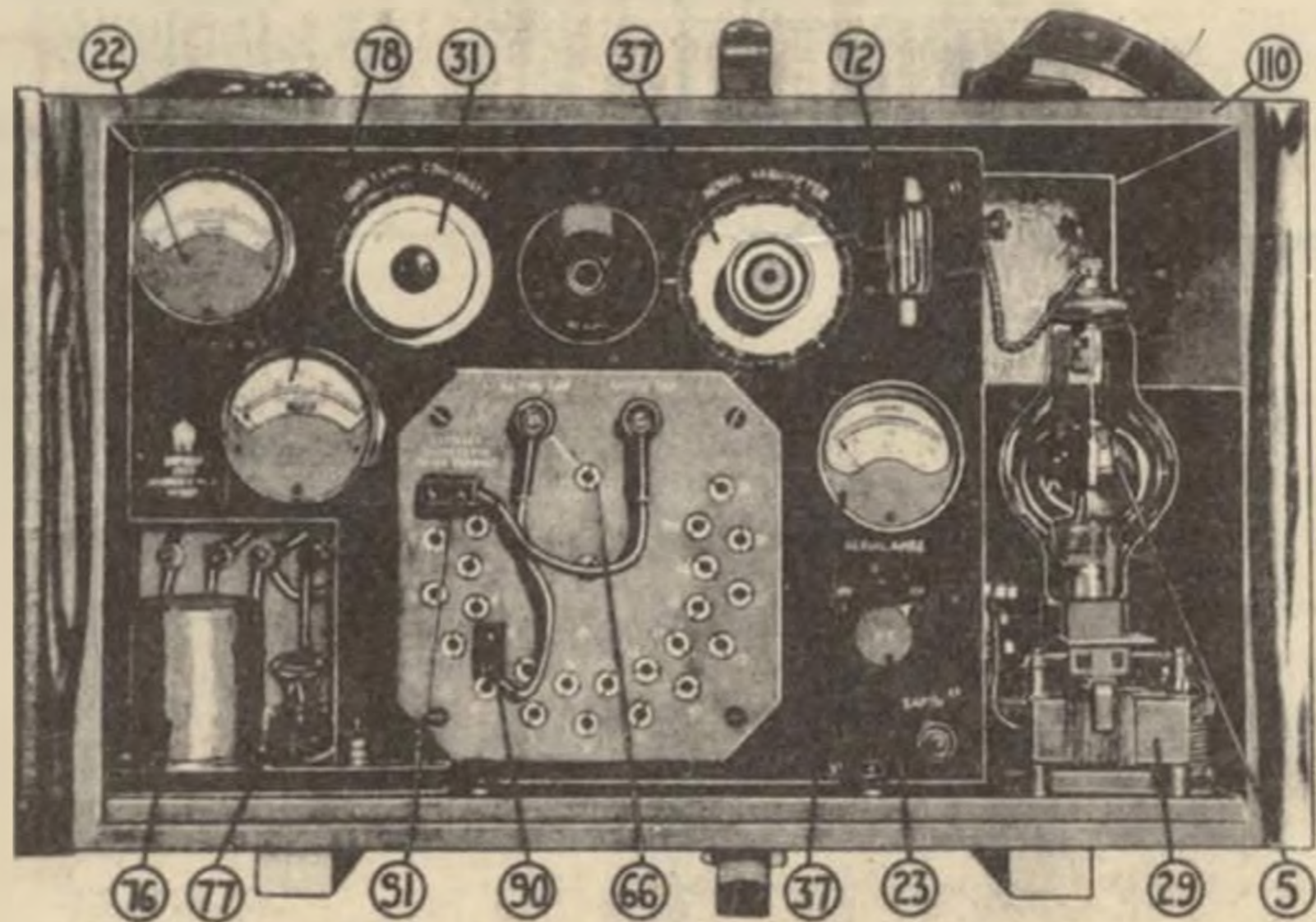


FIG. C.



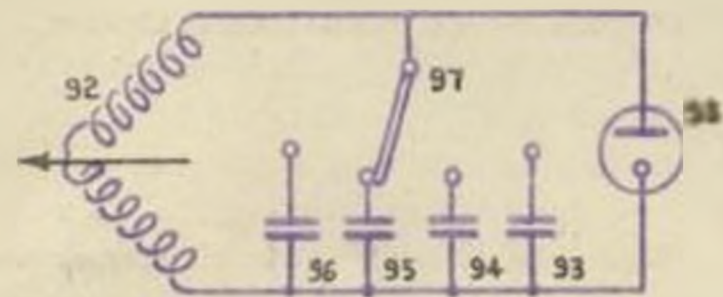
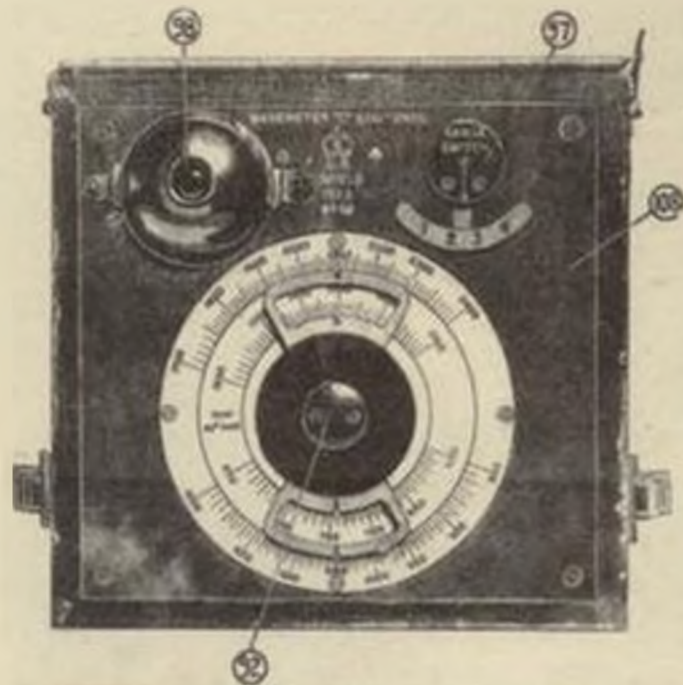


FIG. e



# RECEIVER

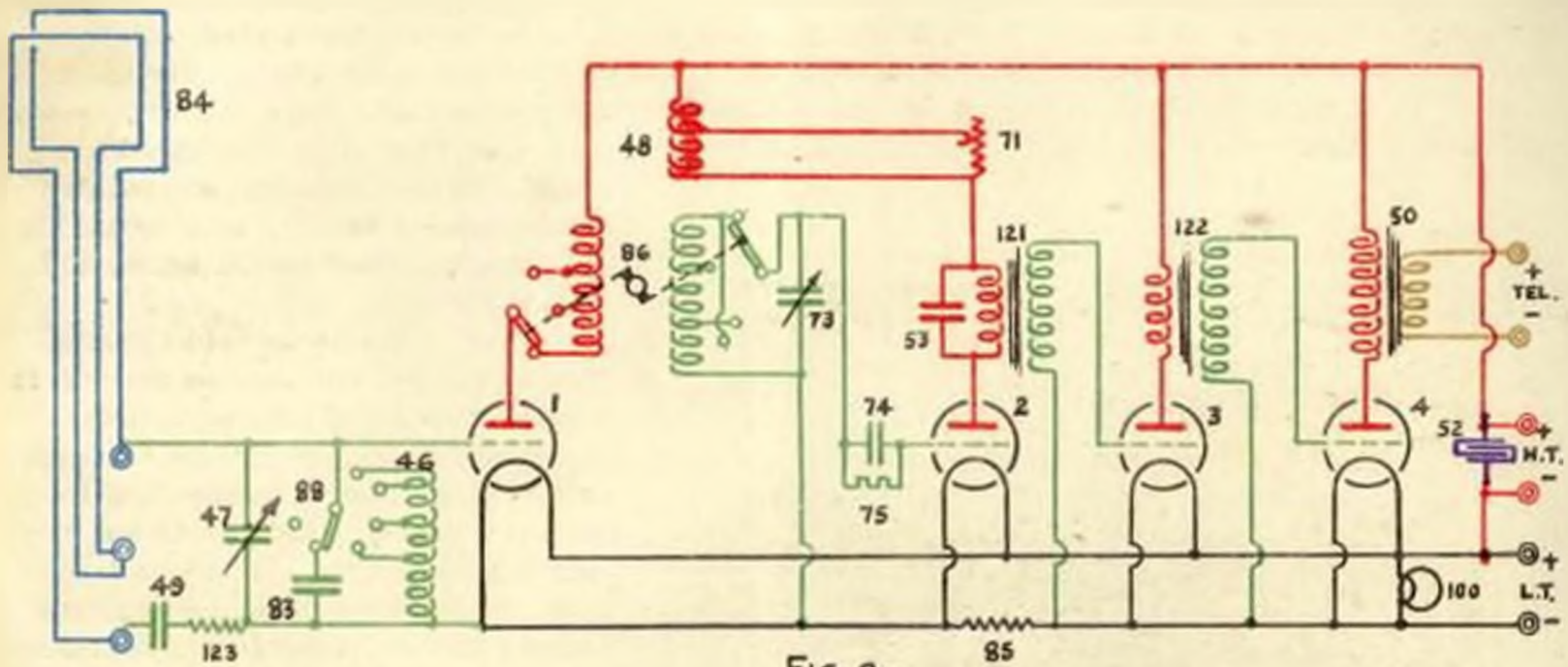
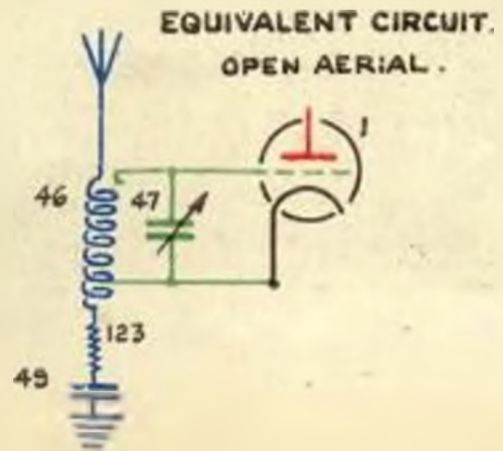
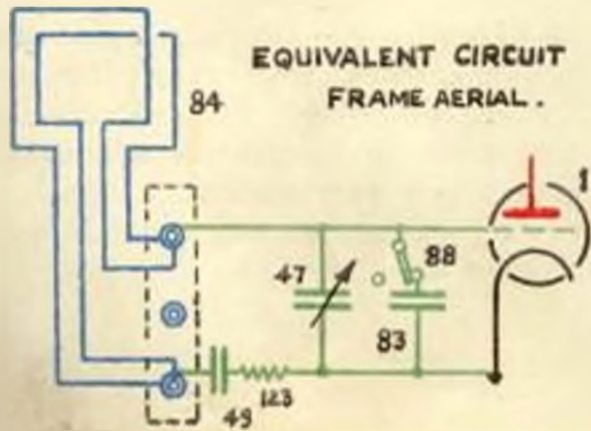
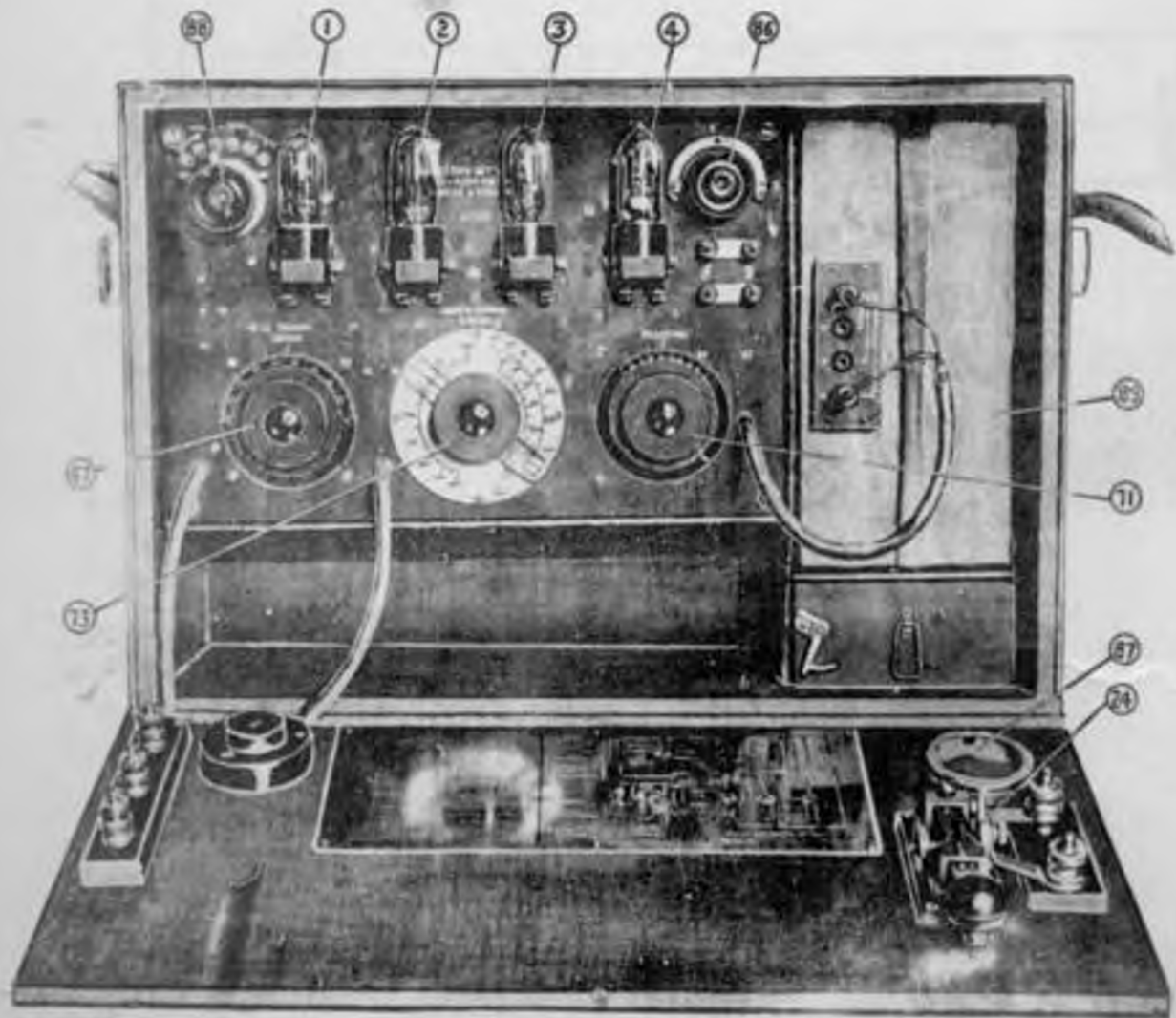


Fig. 9.





# TRANSMITTER

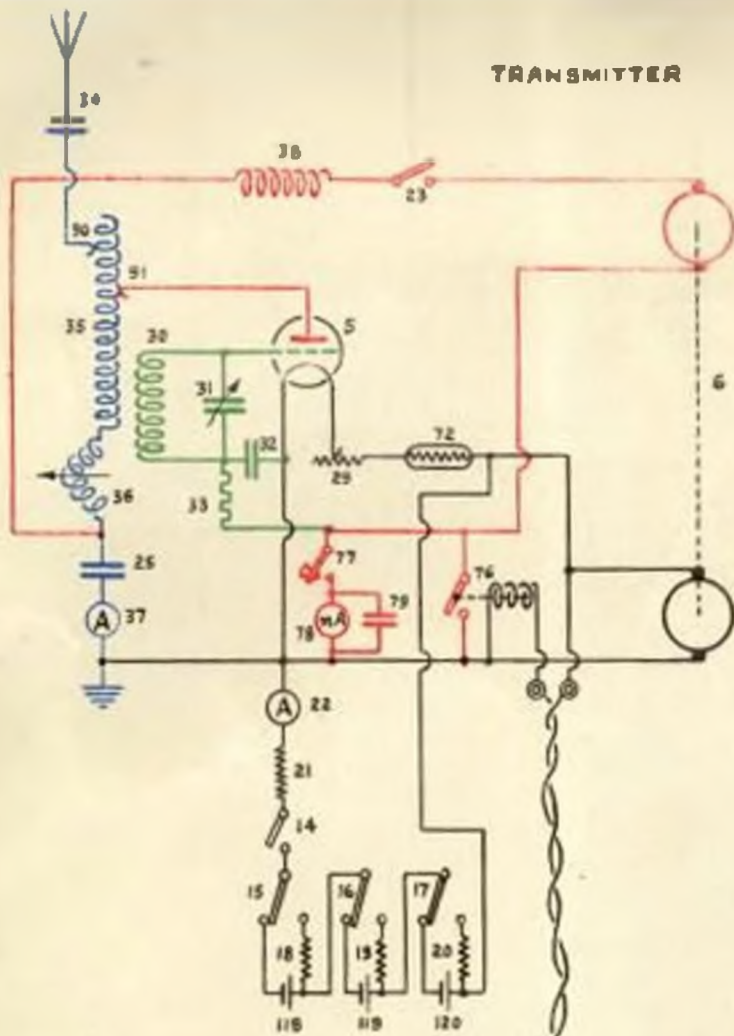
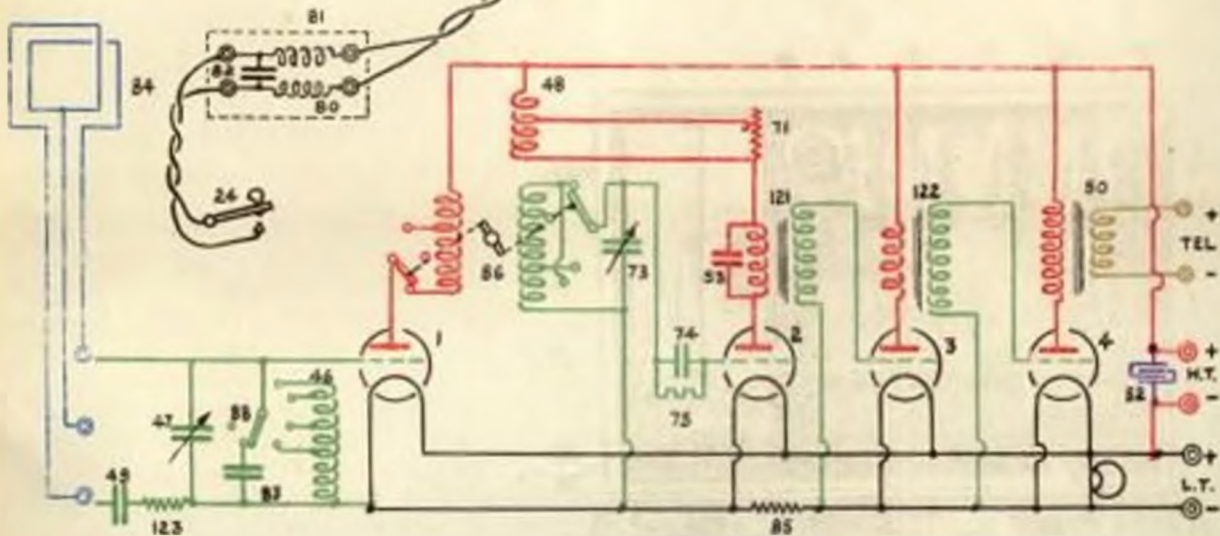
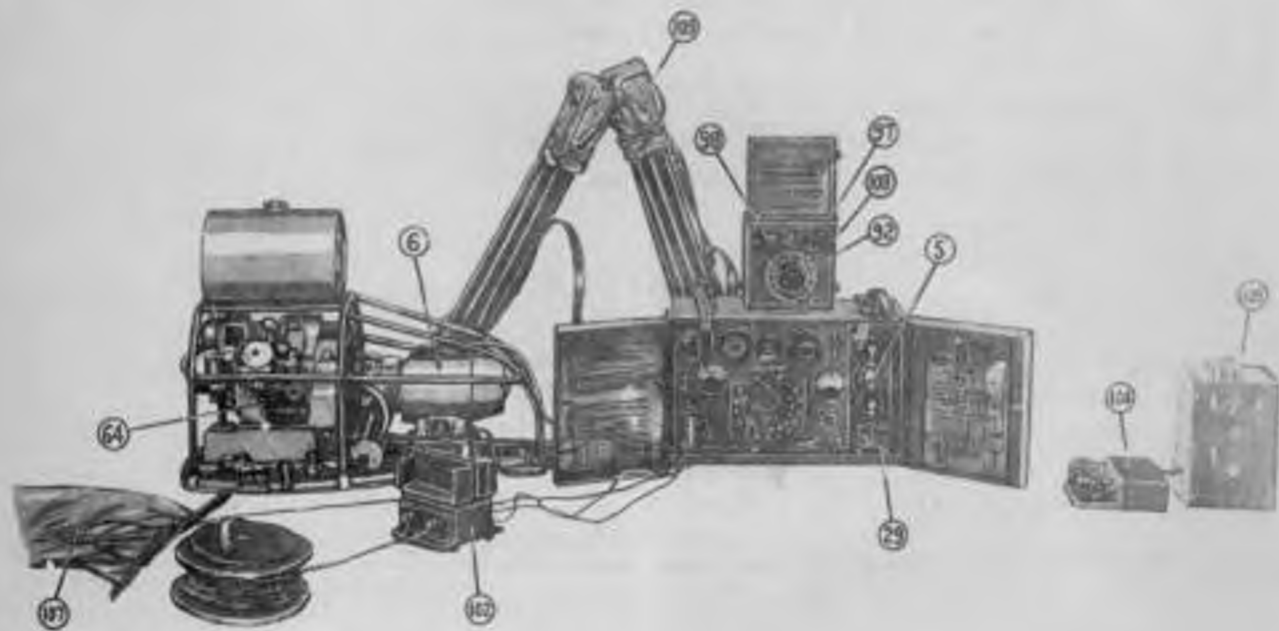


Fig. 8.

# RECEIVER



# TRANSMITTER





# RECEIVER

