

Fig. a

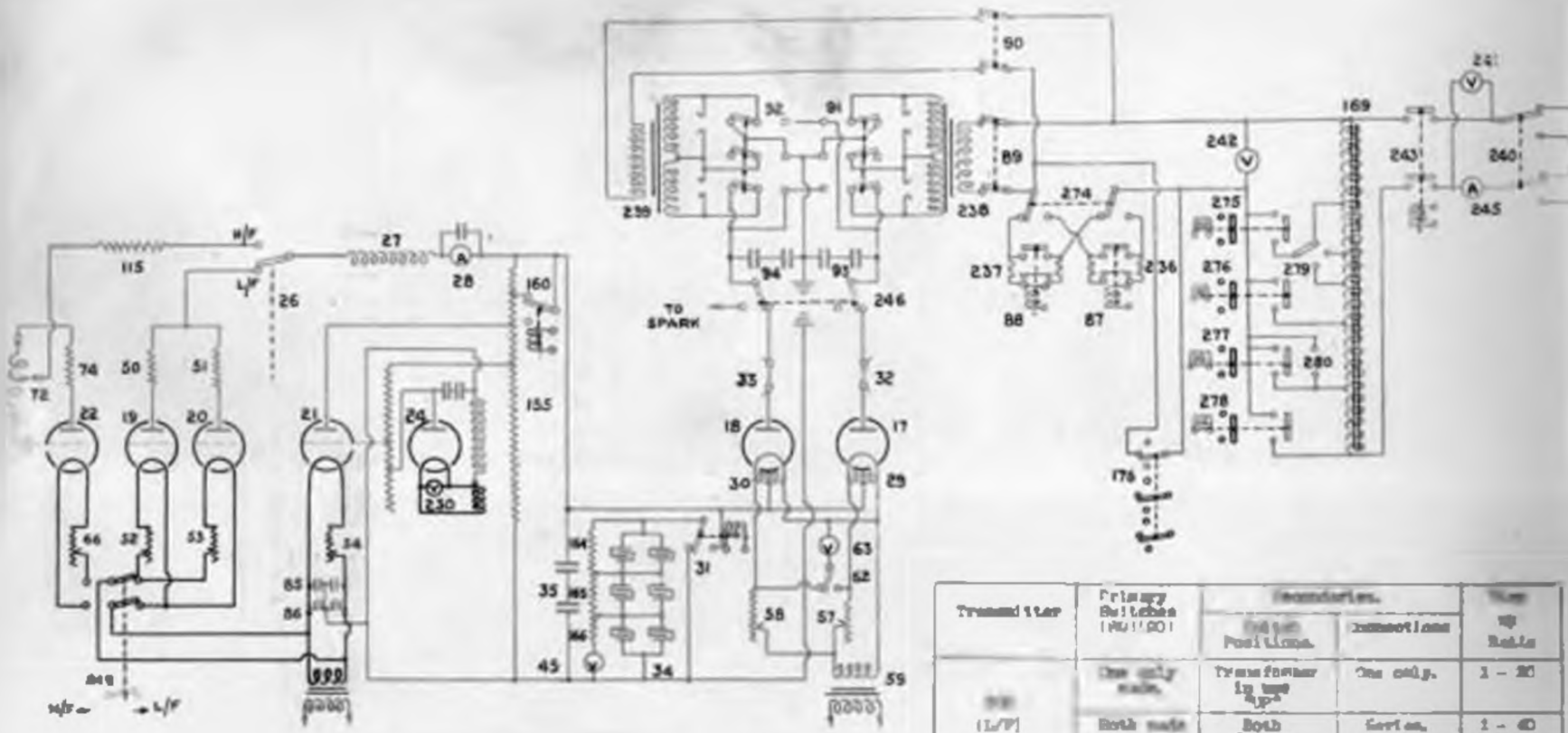


Fig. d.

Transmitter	Primary Switches (M/I/O)	Secondary.		Wave Ratio
		Induct. Positions.	Connections	
100 (L/F)	One only made.	Transformer in use	One only.	1 - 20
	Both made	Both "Coke"	Series.	1 - 20
100 (M/F)	One only made.	Transformer in use	One only.	1 - 20
	Both made	Both "Coke"	Parallel.	1 - 20
100 (S)	One only made.	Transformer in use	One only.	1 - 20
	Both made	Both "Coke"	Parallel.	1 - 20



BOARD 2GB, CONTROLLING.

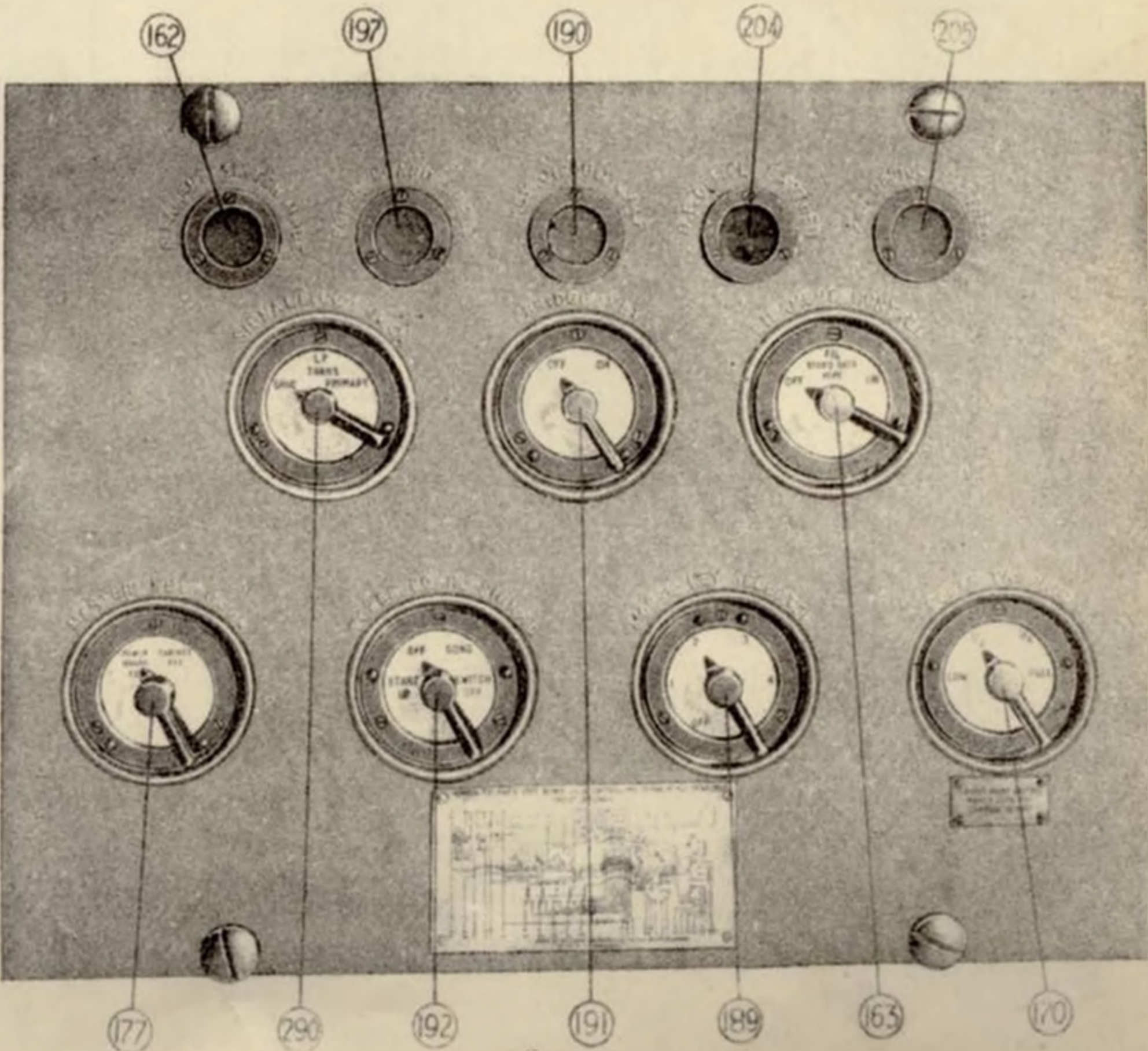


FIG. 4.

AERIAL CIRCUITS.

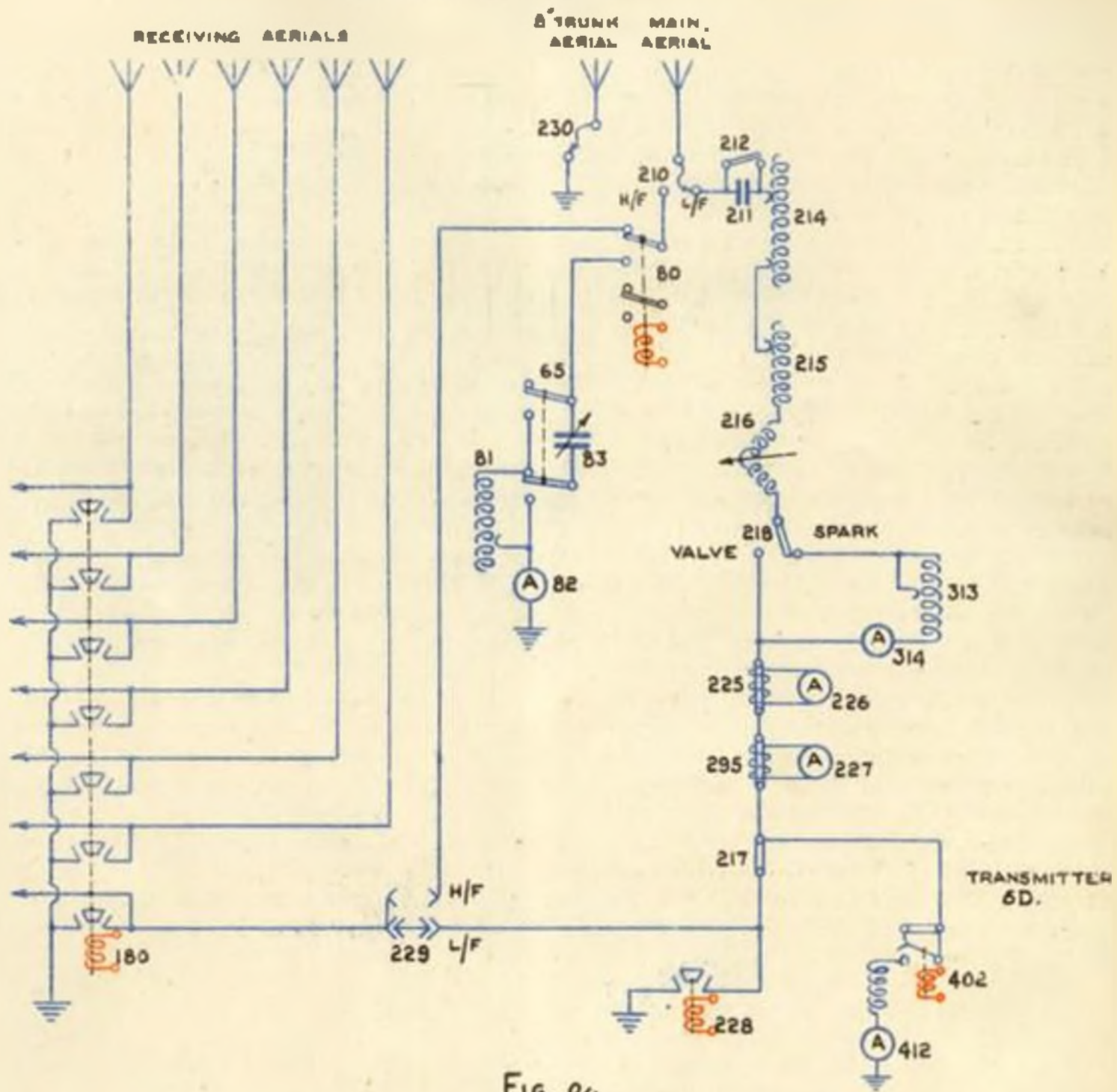
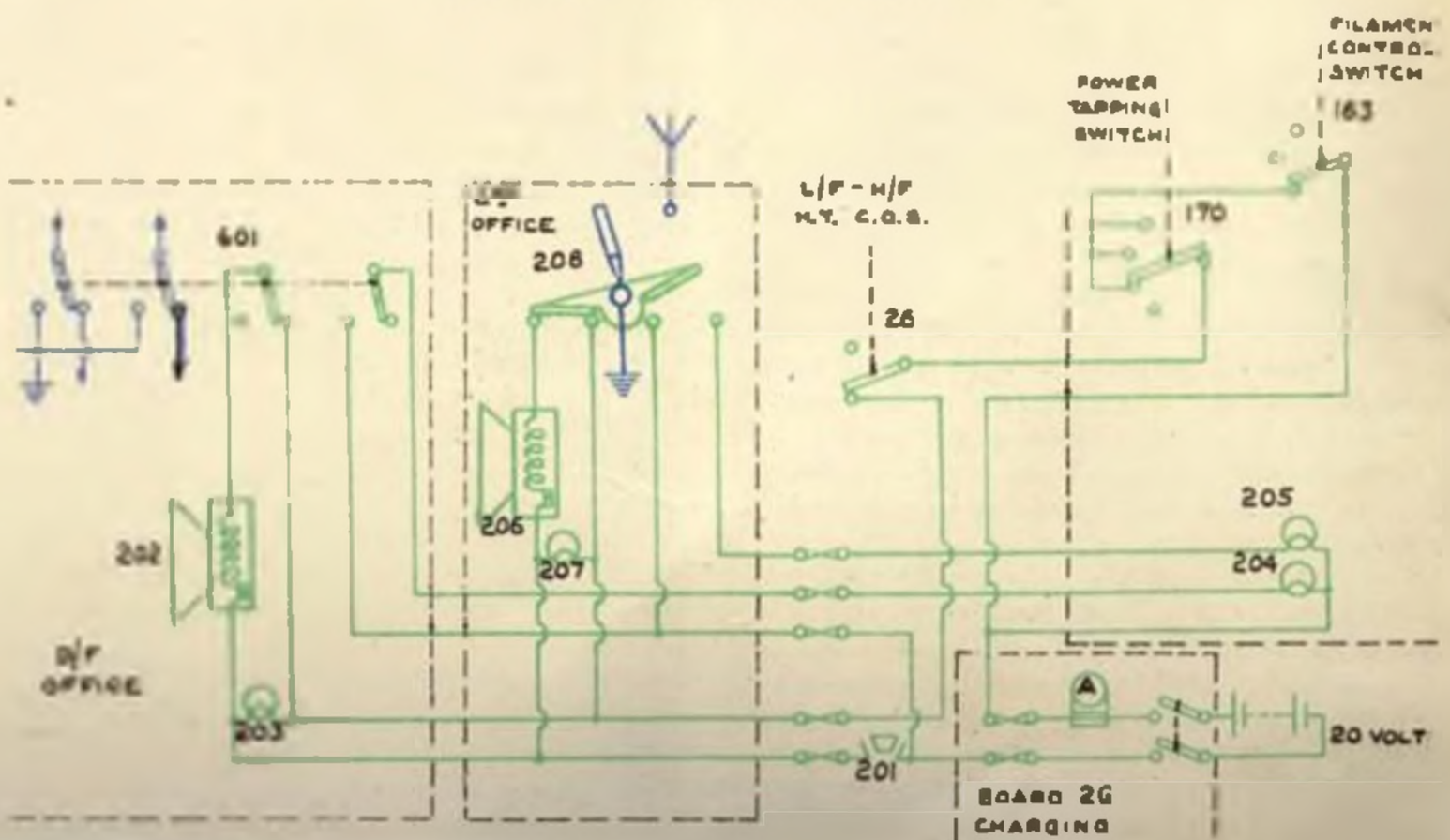


FIG. 9.

20 VOLT WARNING CIRCUITS.



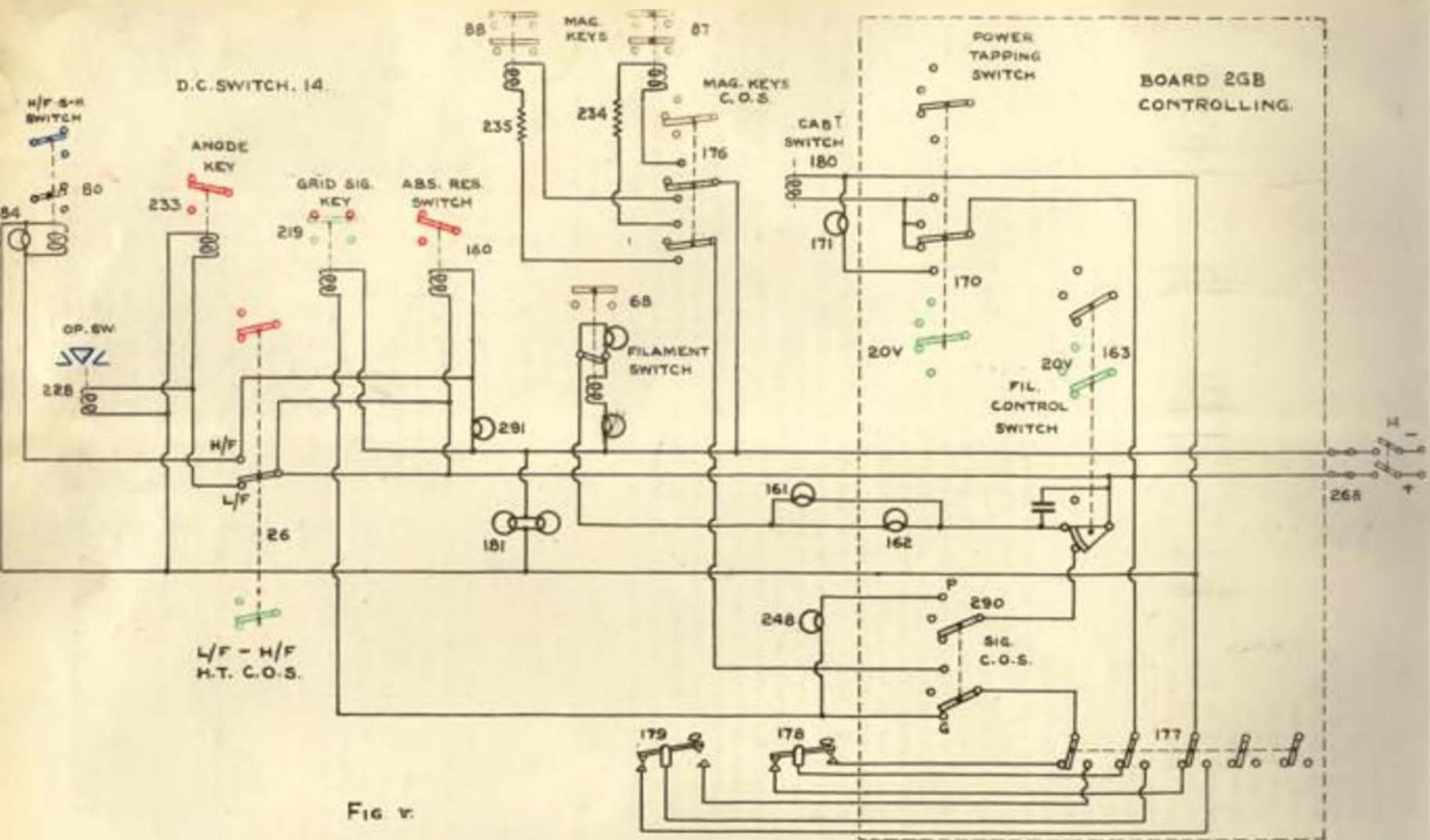
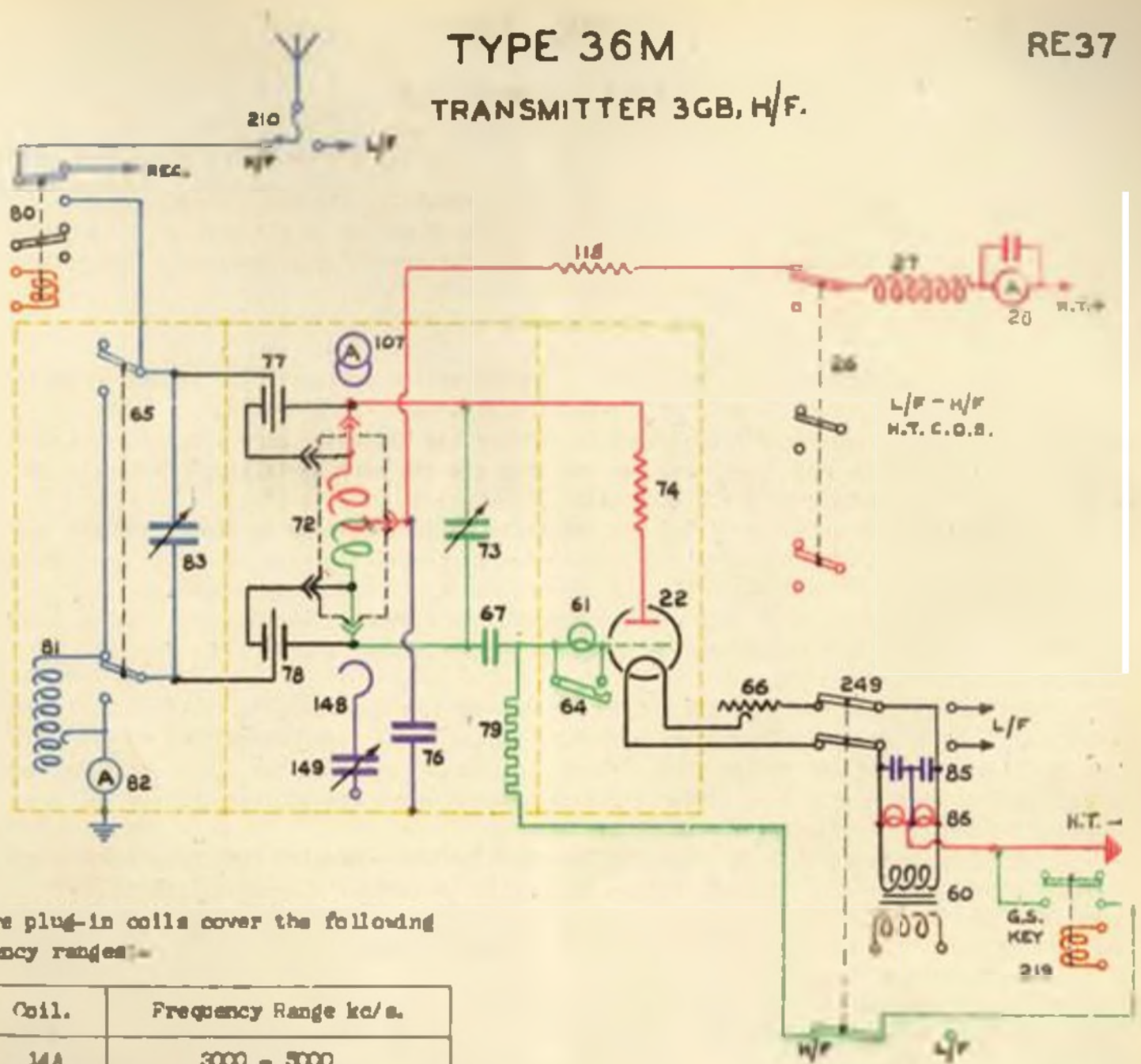


FIG. v.



TYPE 36M TRANSMITTER 3GB, H/F.

RE37



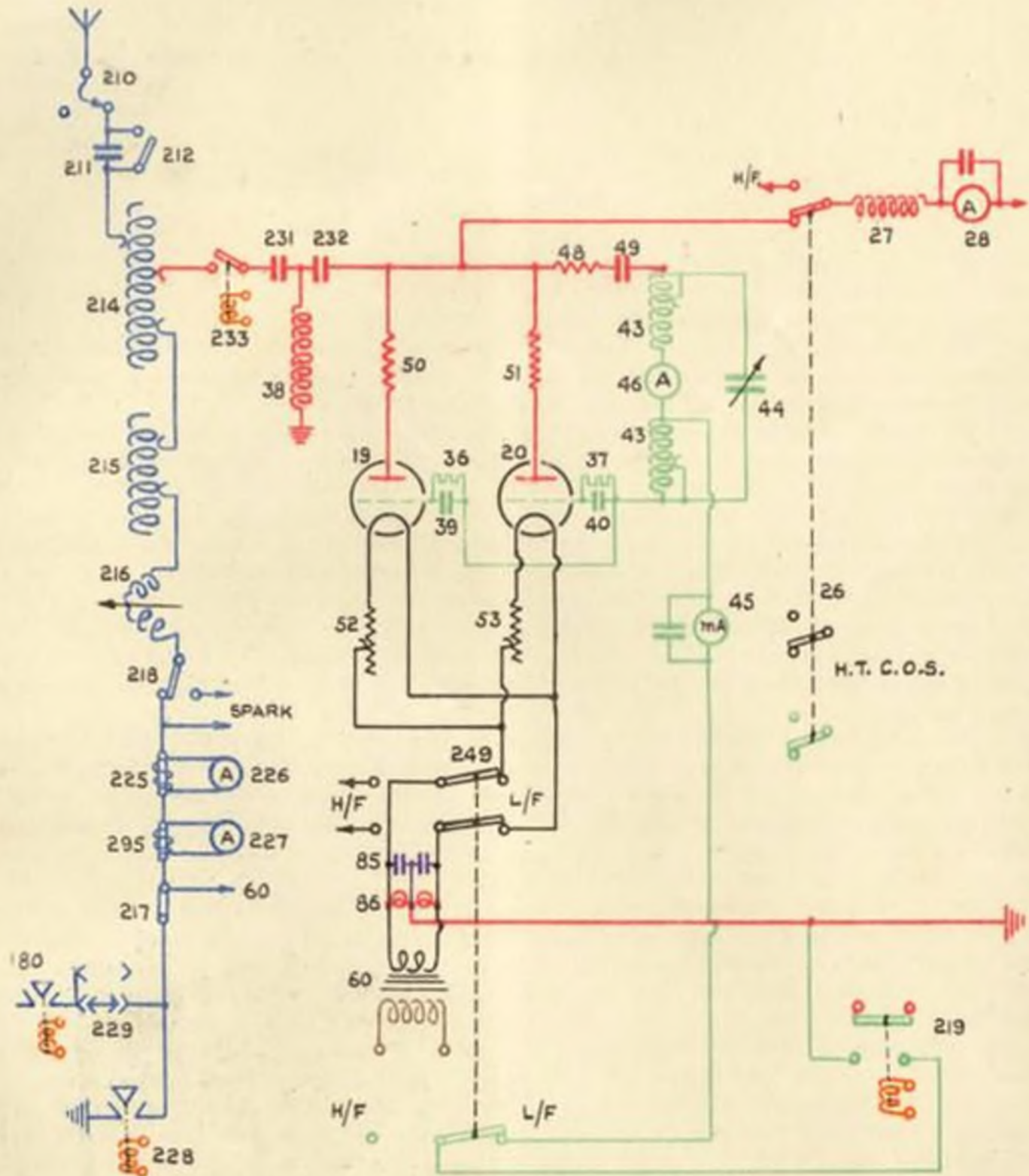
The five plug-in coils cover the following frequency ranges:-

Coil.	Frequency Range kc/s.
14A	3000 - 5000
9A	5000 - 7000
6A	7000 - 10,000
4A	10,000 - 13,000
2A	13,000 - 20,000

FIG. 0.

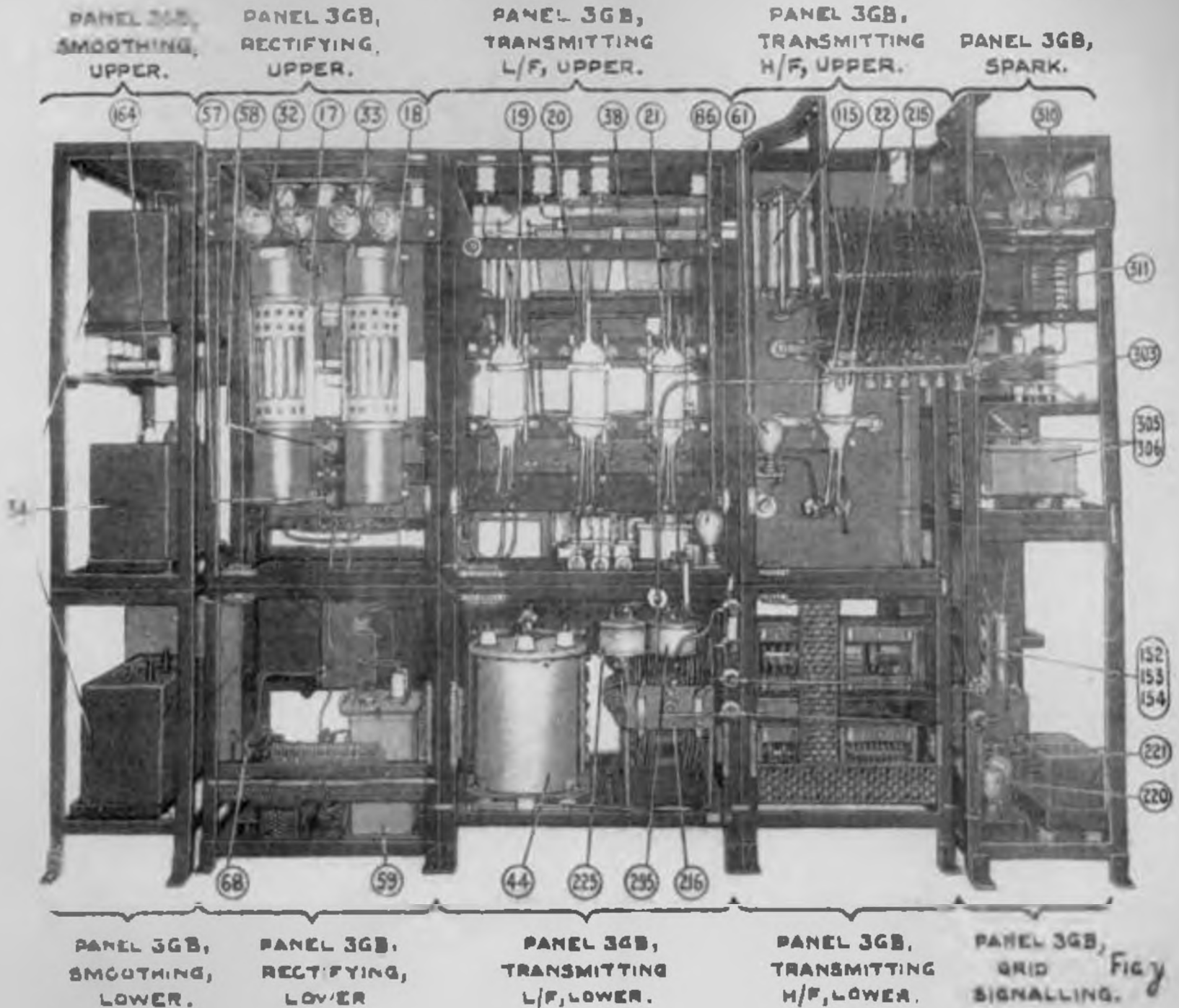
RE34

TYPE 36M TRANSMITTER 3GB, L/F.



TYPE 36M

RE 4 5



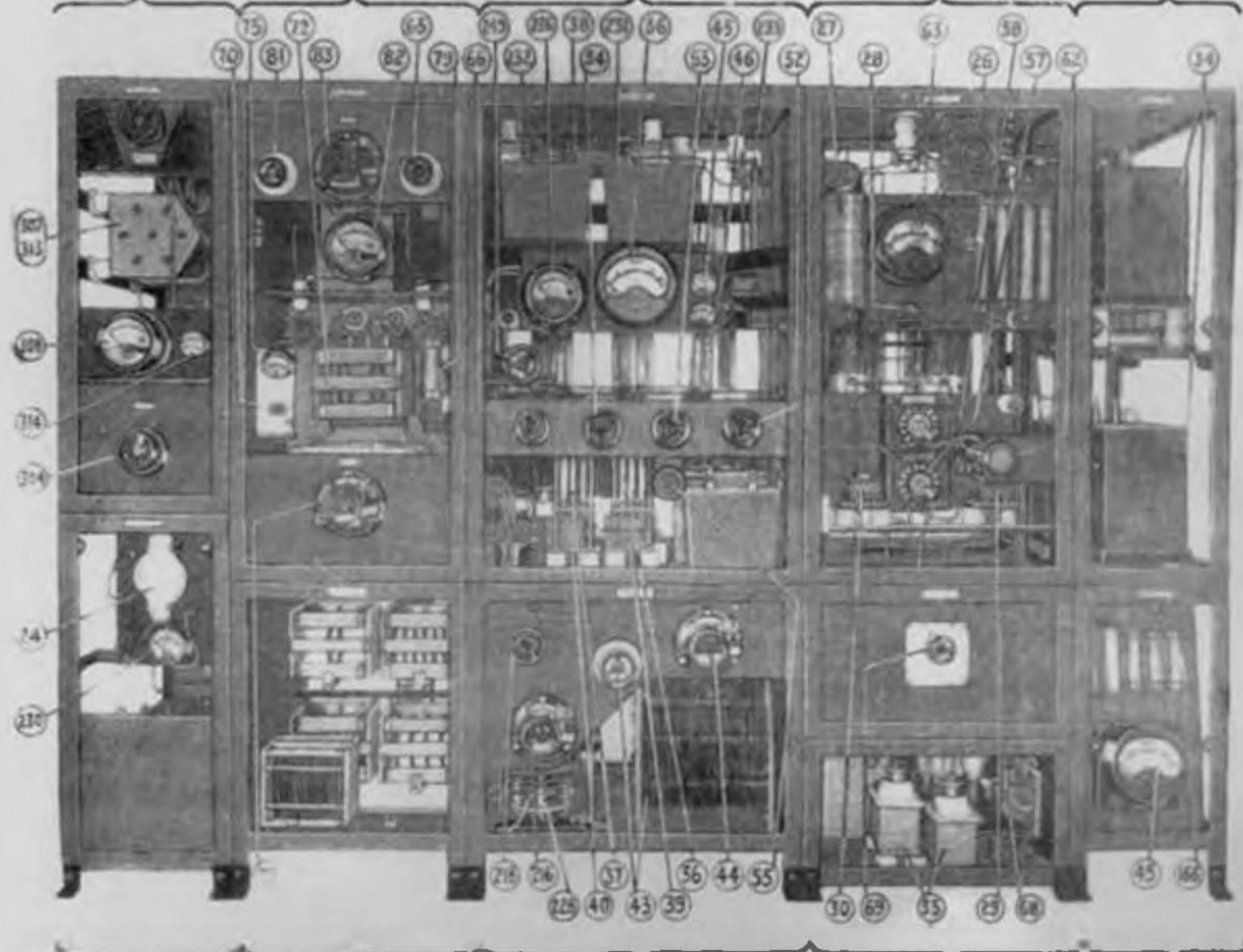
PANEL 3GB,
SPARK.

PANEL 3GB,
TRANSMITTING
H/F, UPPER.

PANEL 3GB,
TRANSMITTING
L/F, UPPER.

PANEL 3GB,
RECTIFYING,
UPPER.

PANEL 3GB,
SMOOTHING,
UPPER.



PANEL 3GB,
GRID
SIGNALLING.

PANEL 3GB,
TRANSMITTING
H/F, LOWER.

PANEL 3GB,
TRANSMITTING
L/F, LOWER.

PANEL 3GB,
RECTIFYING,
LOWER.

PANEL 3GB,
SMOOTHING,
LOWER C.G.

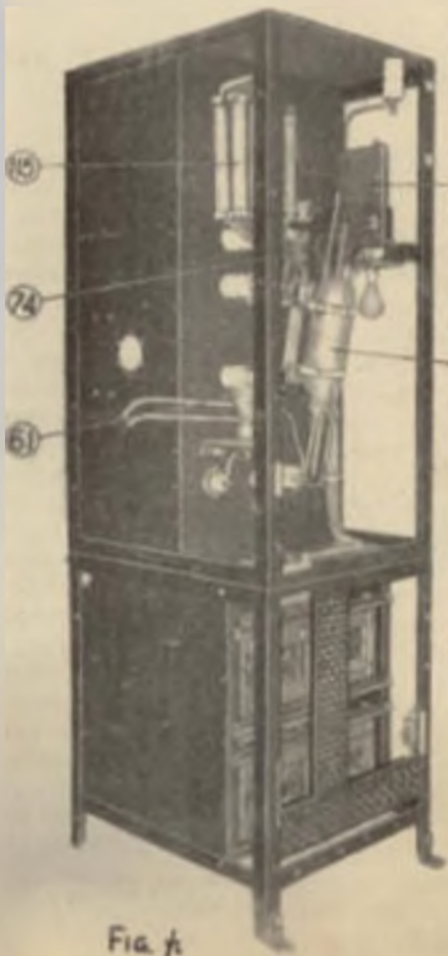


Fig. 7.

PANEL 36E, M/P TRANSMITTING, PANEL 36B, M/P TRANSMITTING,

UPPER.

LOWER.

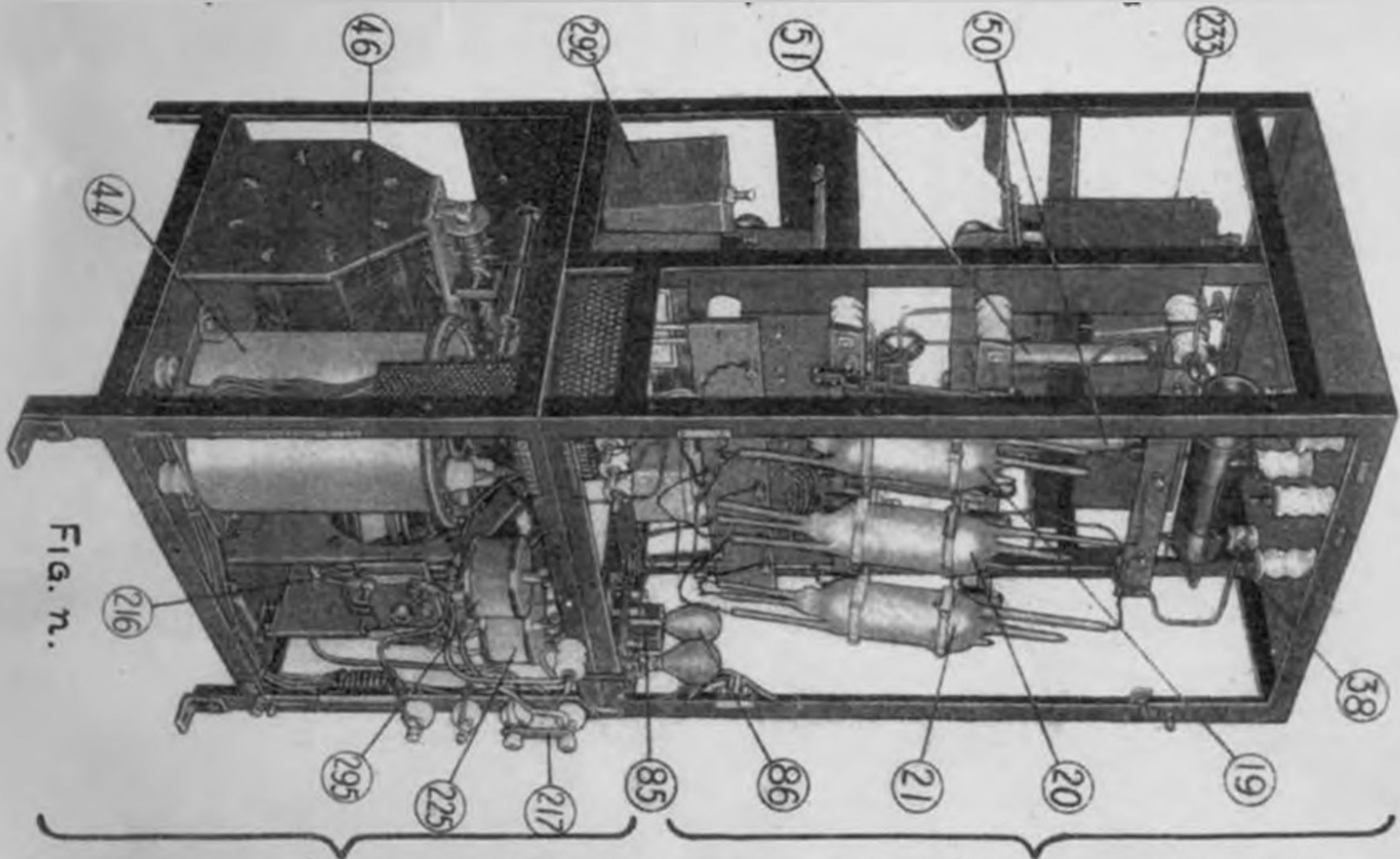


Fig. n.

PANEL 3GB, L/F TRANSMITTING,
LOWER.

PANEL 3GB, L/F TRANSMITTING,
UPPER.

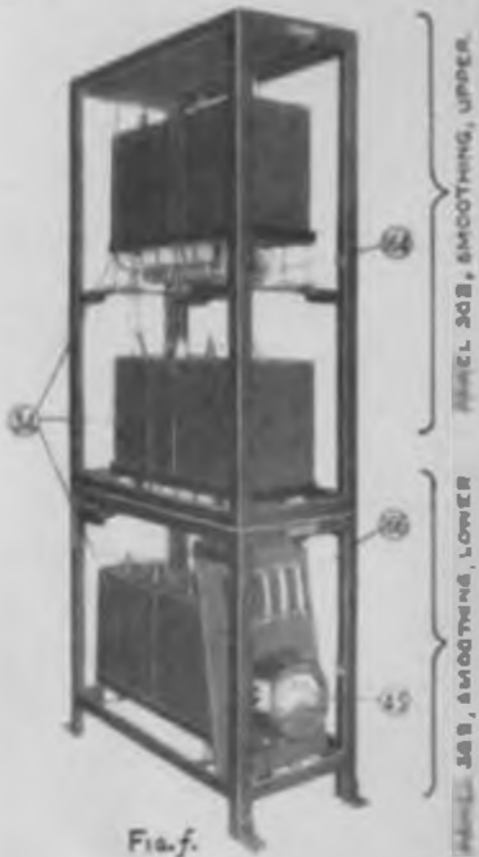


Fig. f.

SMOOTHING, UPPER
 SMOOTHING, LOWER
 SMOOTHING, LOWER



FIG. 8.

PANEL FOR SECTION, LOWER.

PANEL FOR SECTION, UPPER.

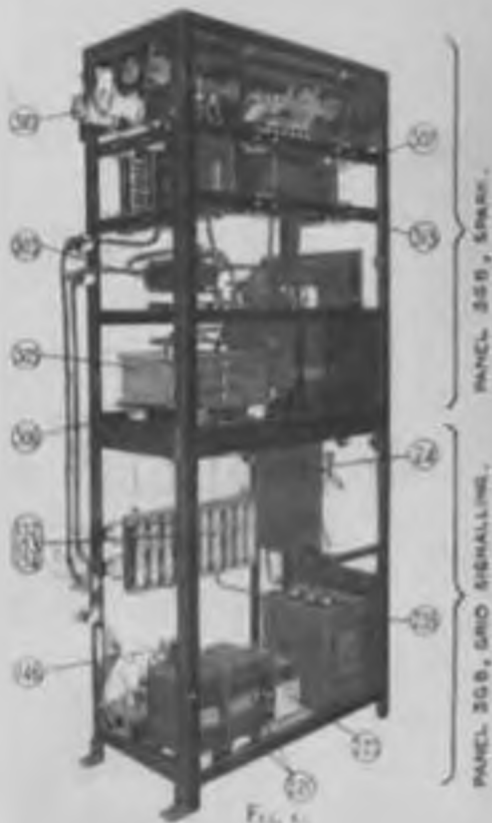


FIG. 6.

TYPICAL LAY-OUT IN HEAVY SHIPS.

SCALE:- $\frac{1}{64}$ IN SIZE.

ARRANGEMENT "A".

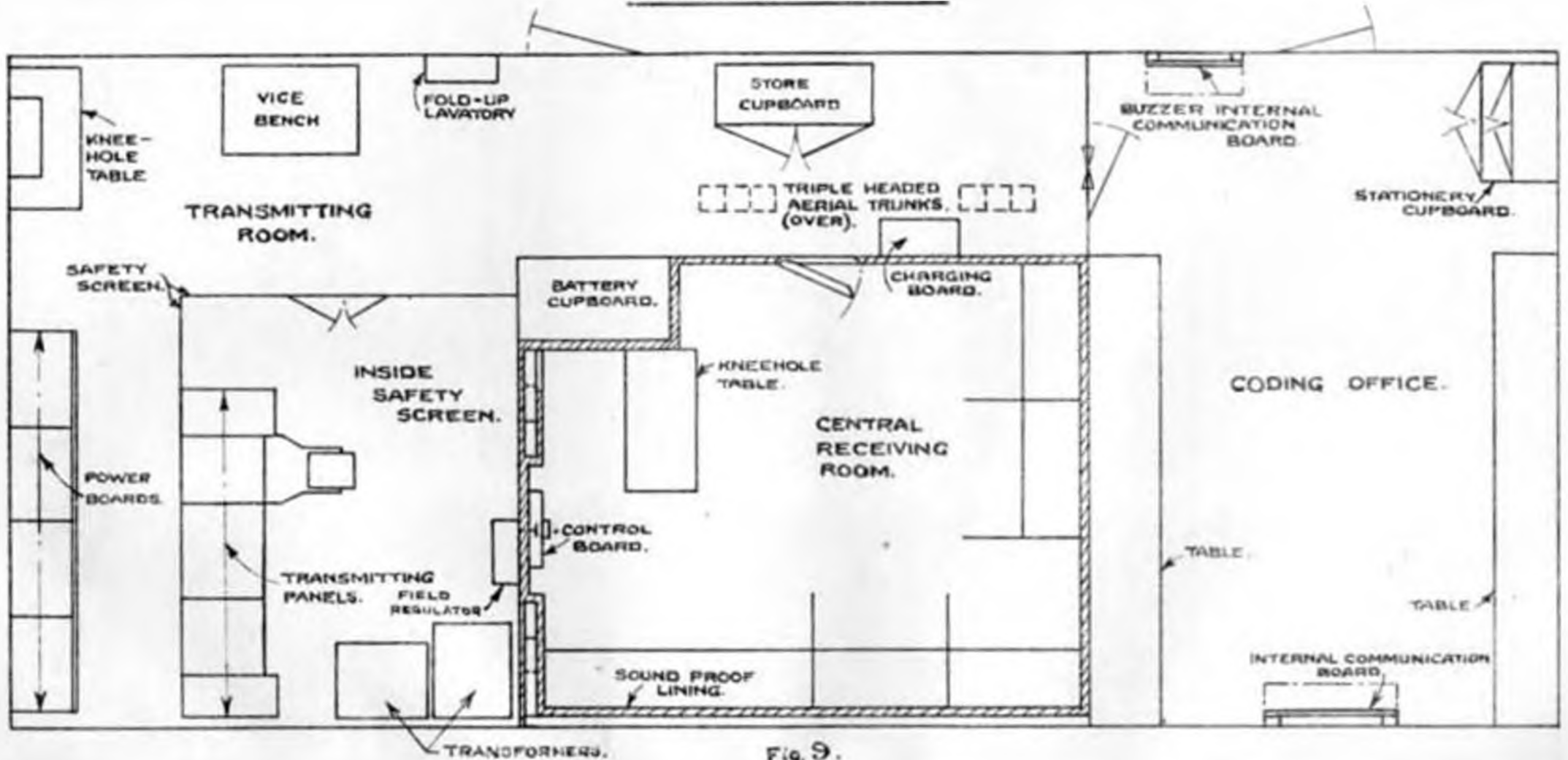


Fig. 9.

ALTERNATIVE LAY-OUT
FOR LIGHT CRUISER.

SCALE:- 1/48TH FULL SIZE.

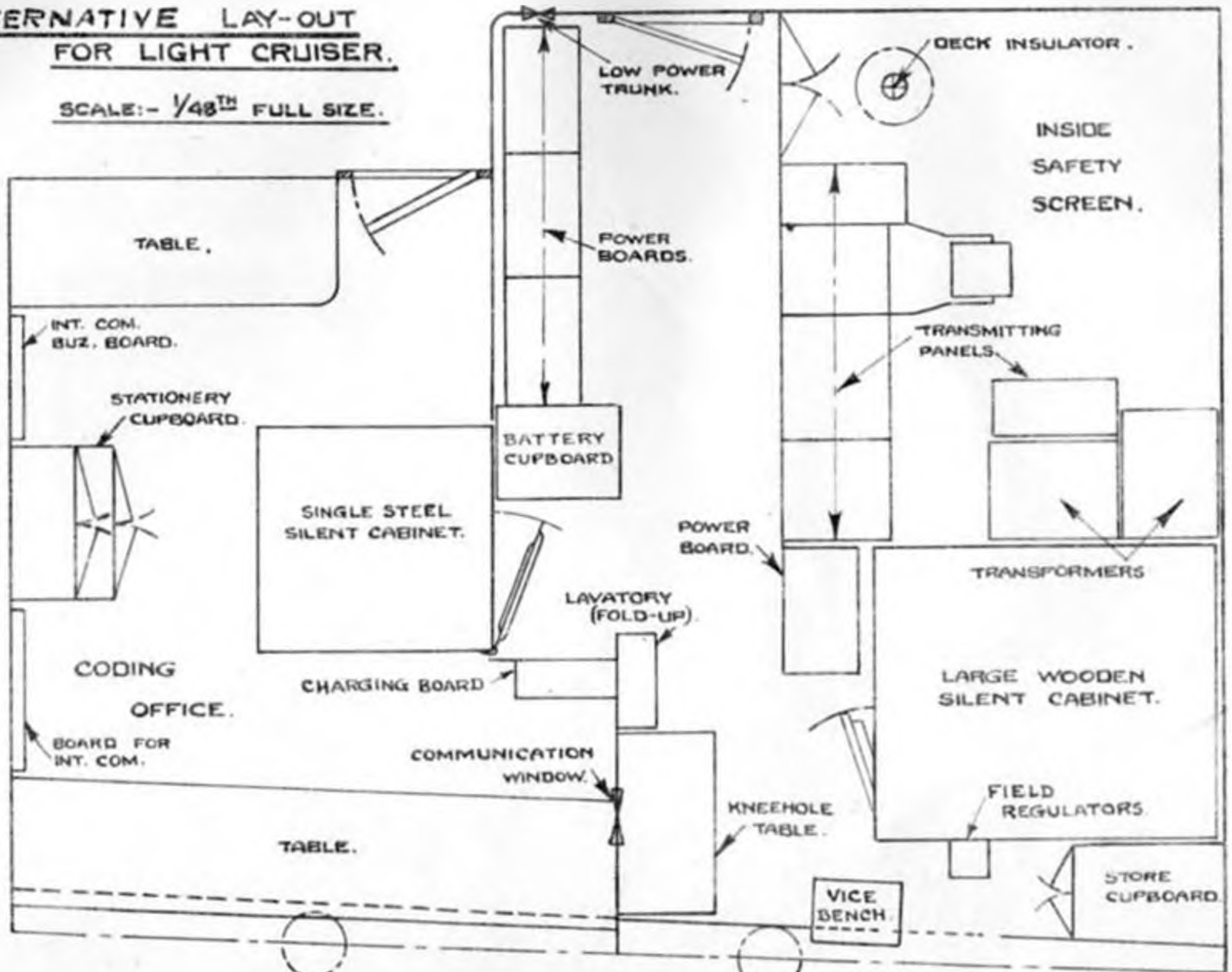


Fig. II

TYPICAL LAY-OUT IN LIGHT CRUISER.

SCALE :- 1/32ND SIZE (APPROX)

ARRANGEMENT "B".

