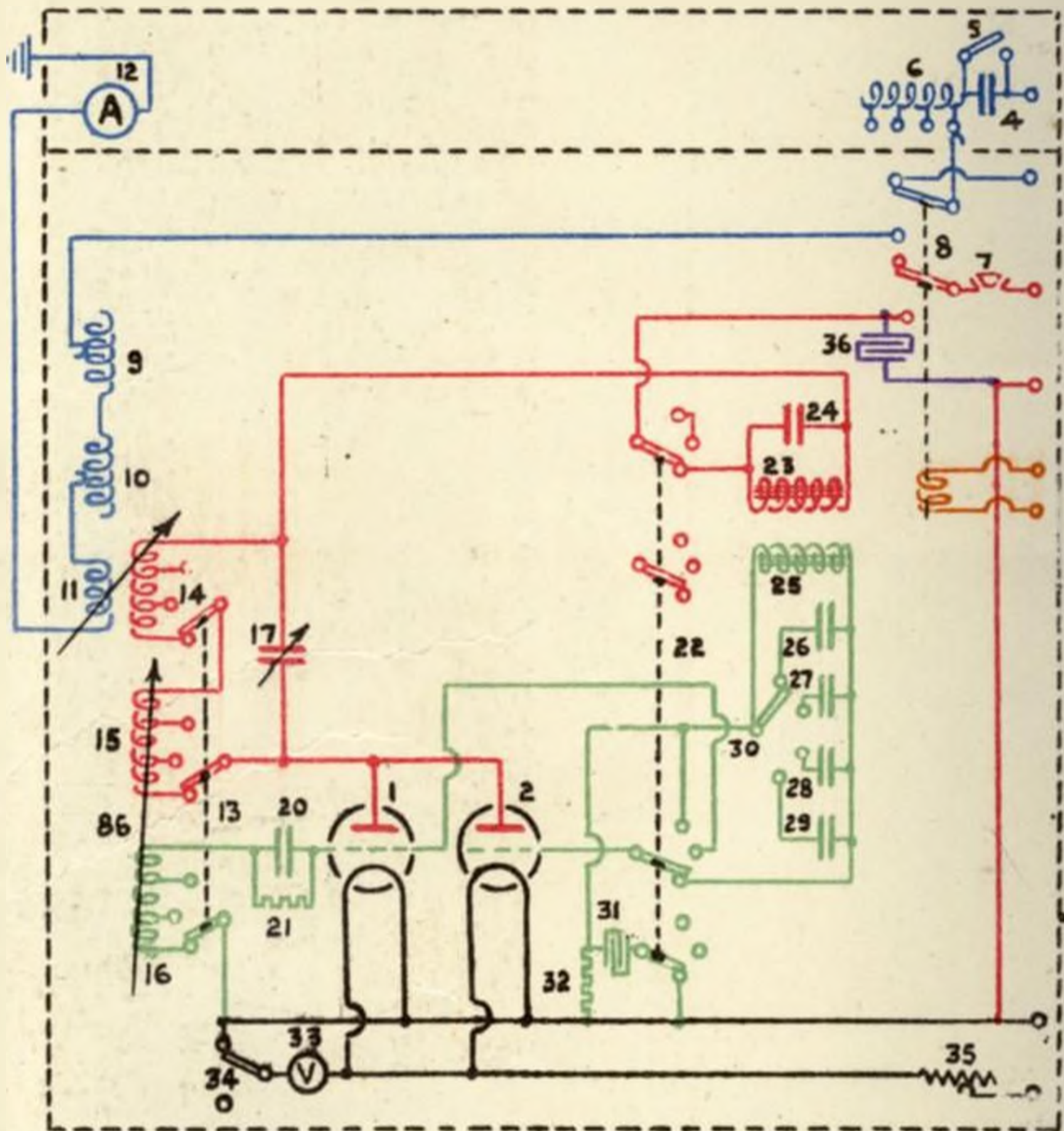
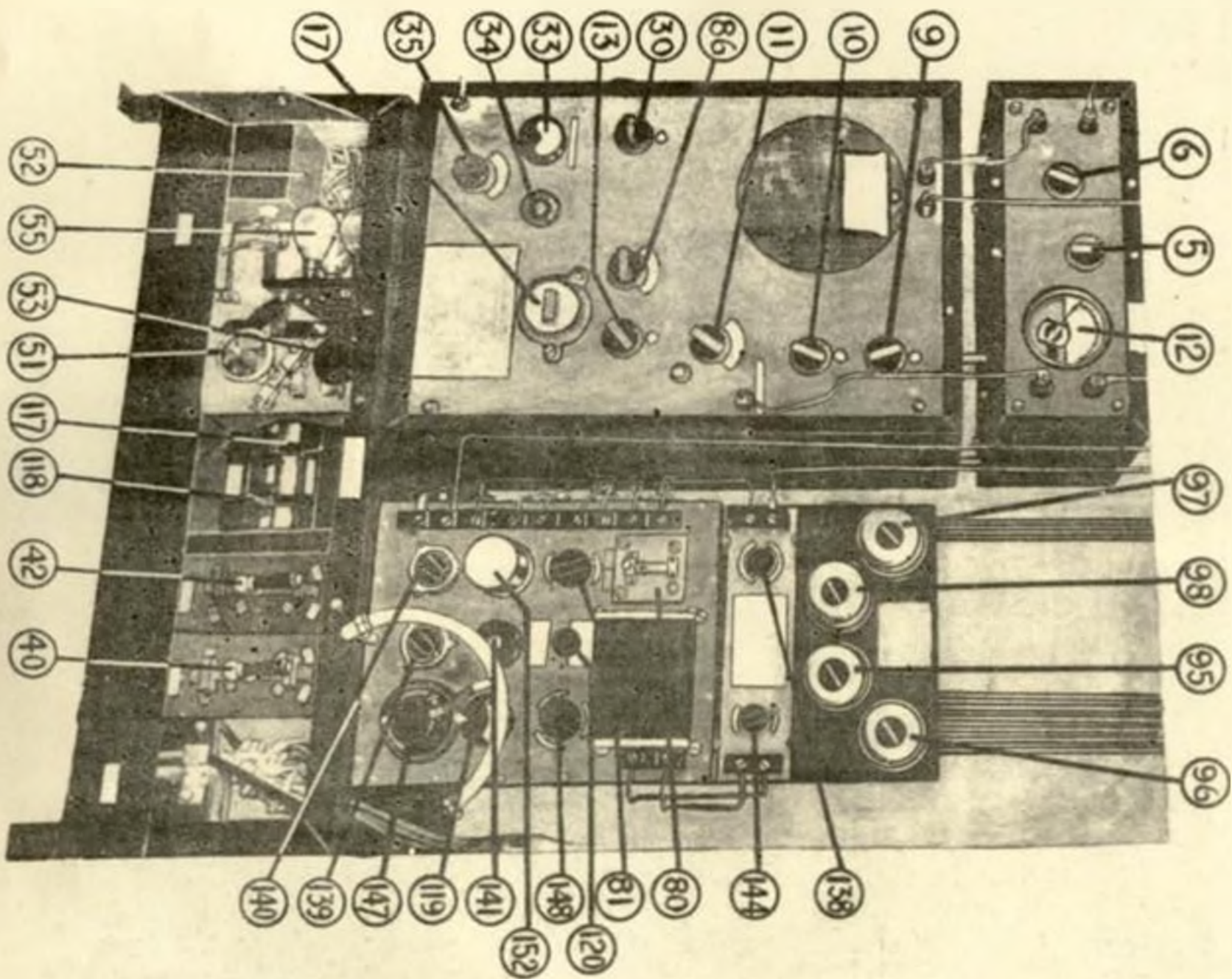


TRANSMITTER 4L



TRANSMITTER 4 L



TRANSMITTER 4 H .

BOARD 2L INPUT AND OUTPUT.

FIG. C.