

K-9  
R121

# TYPE 46 TRANSMITTER 3N L/F (CONT).

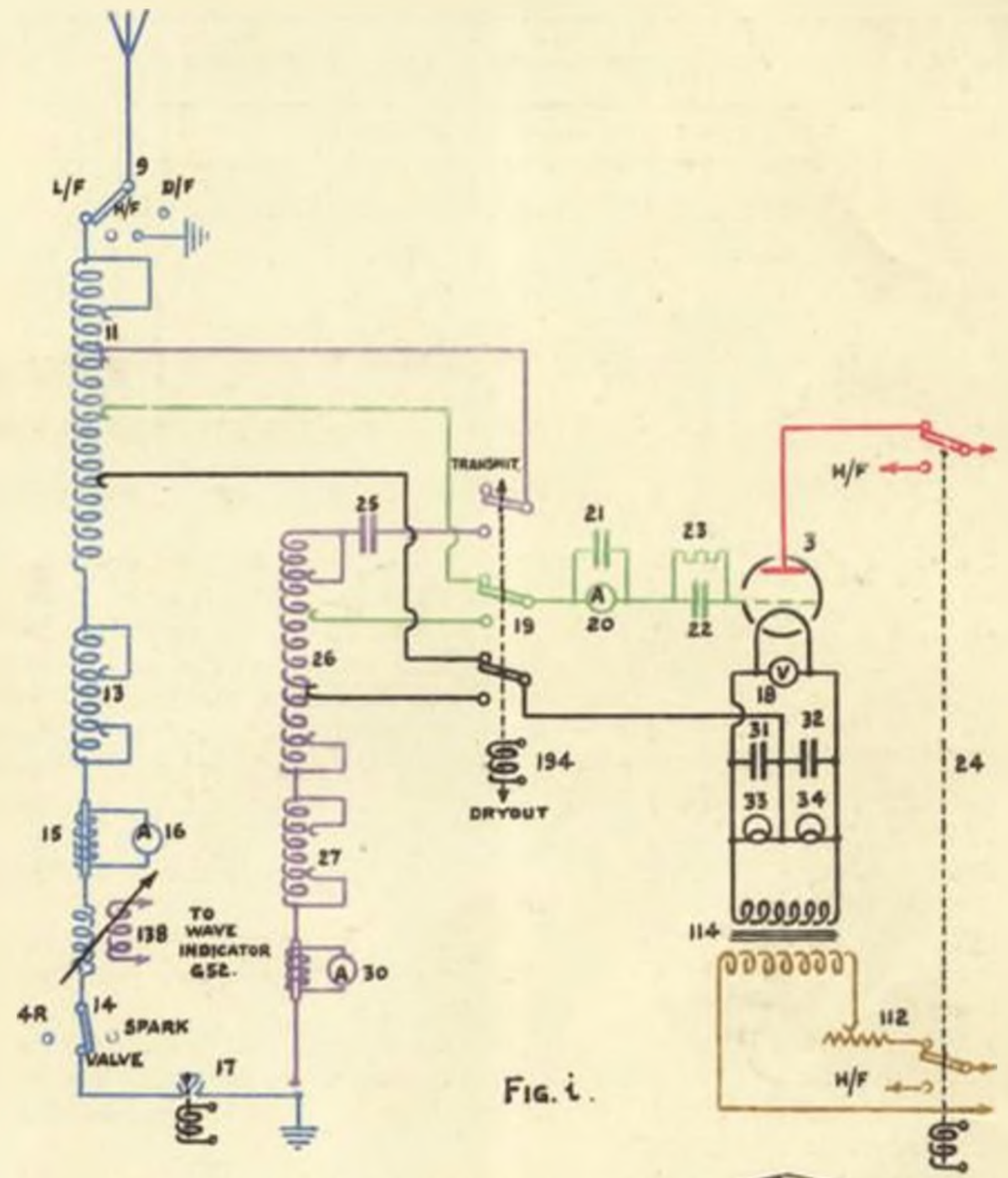
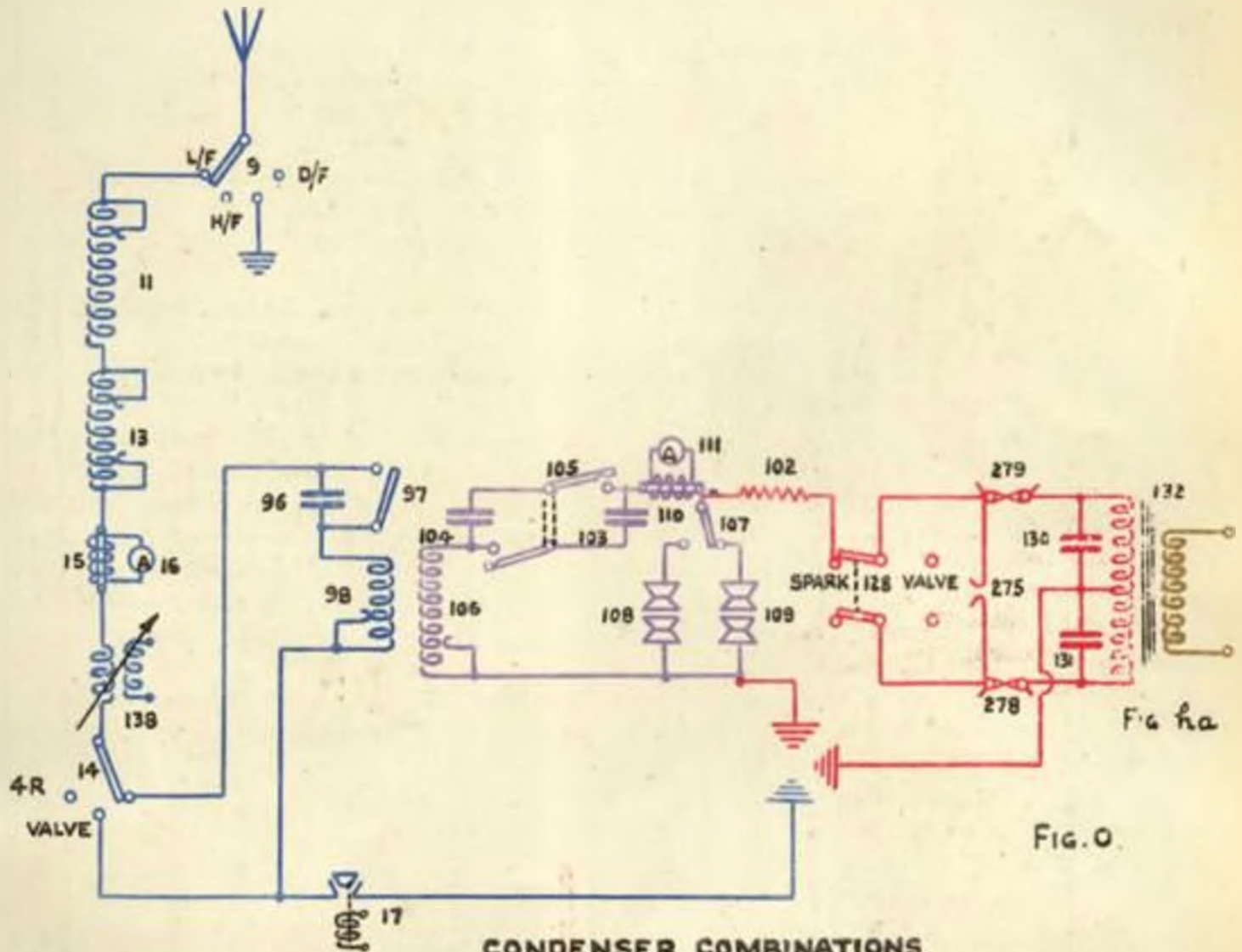


Fig. i.

# TYPE 46

## TRANSMITTER 3K SPARK (CONT).

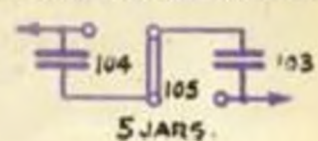
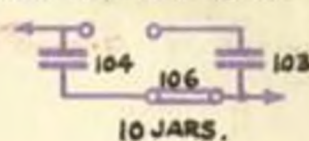
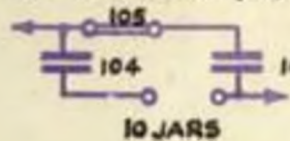


### CONDENSER COMBINATIONS.

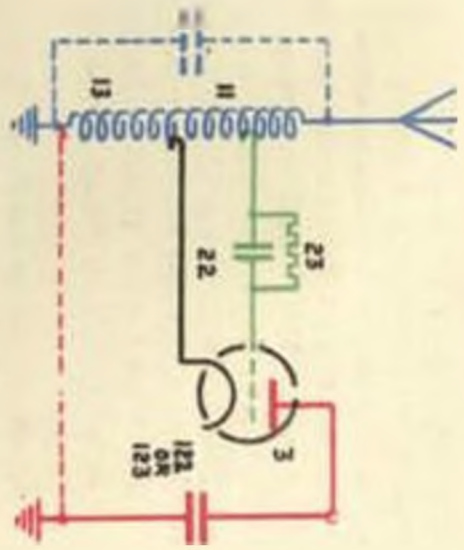
ONE CONDENSER (103)

TWO CONDENSERS IN PARALLEL, ONE CONDENSER (104)

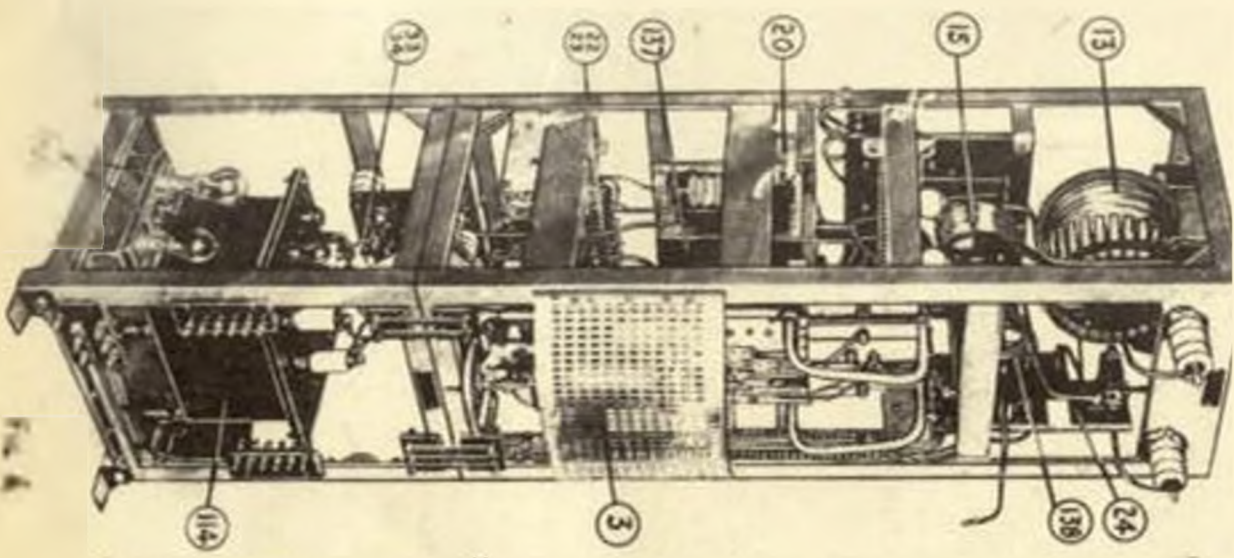
TWO CONDENSERS IN SERIES



**EQUIVALENT CIRCUIT.**



**Fig. j**

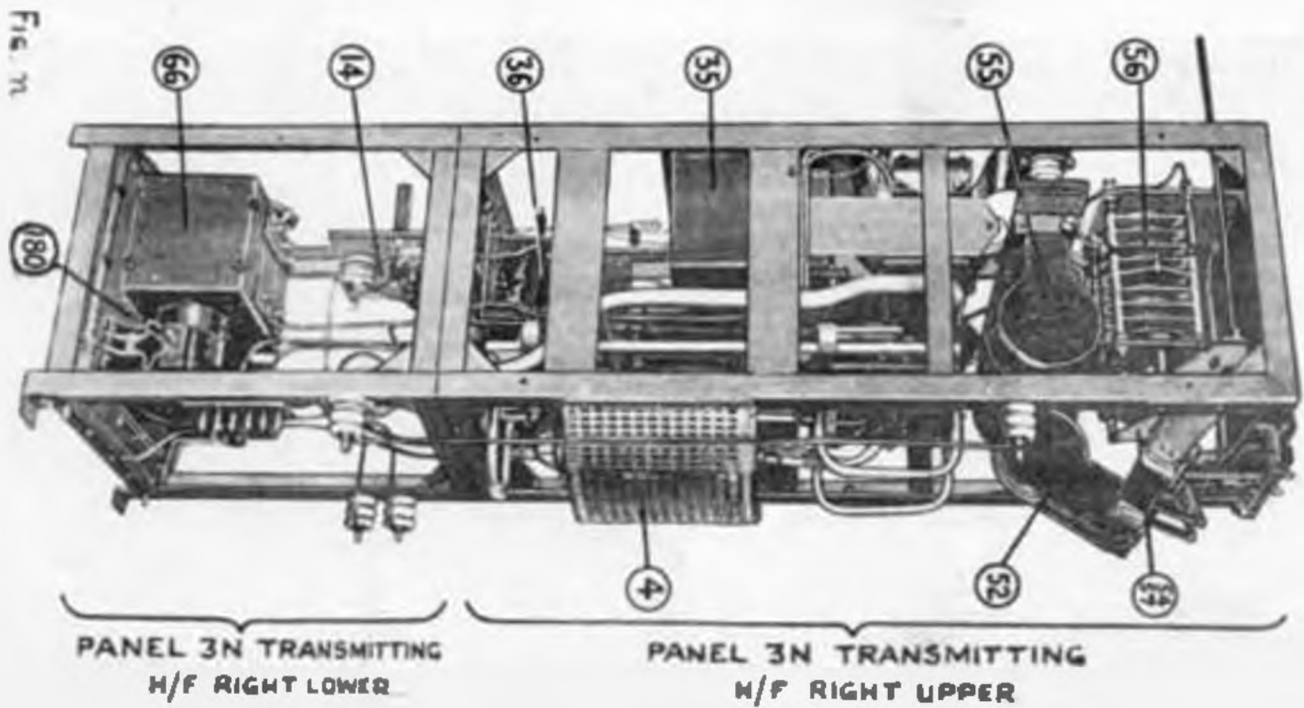
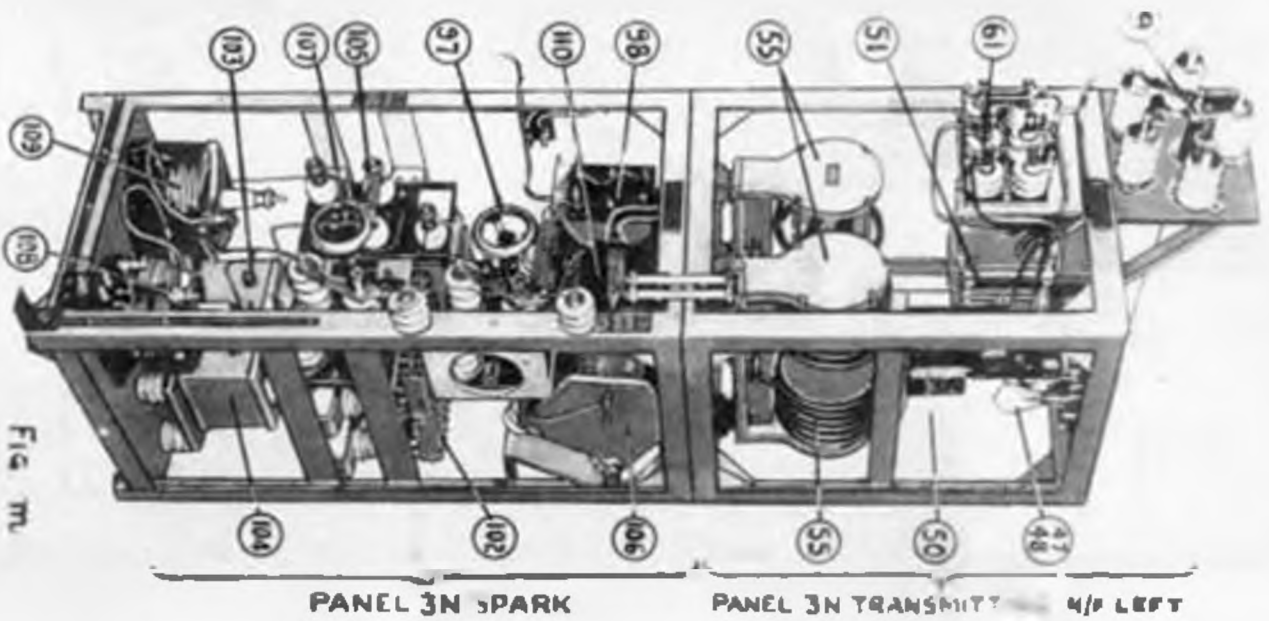


**PANEL IN TRANSMITTING  
L/P LOWER**

**PANEL IN TRANSMITTING  
UPPER**

R124  
PK12

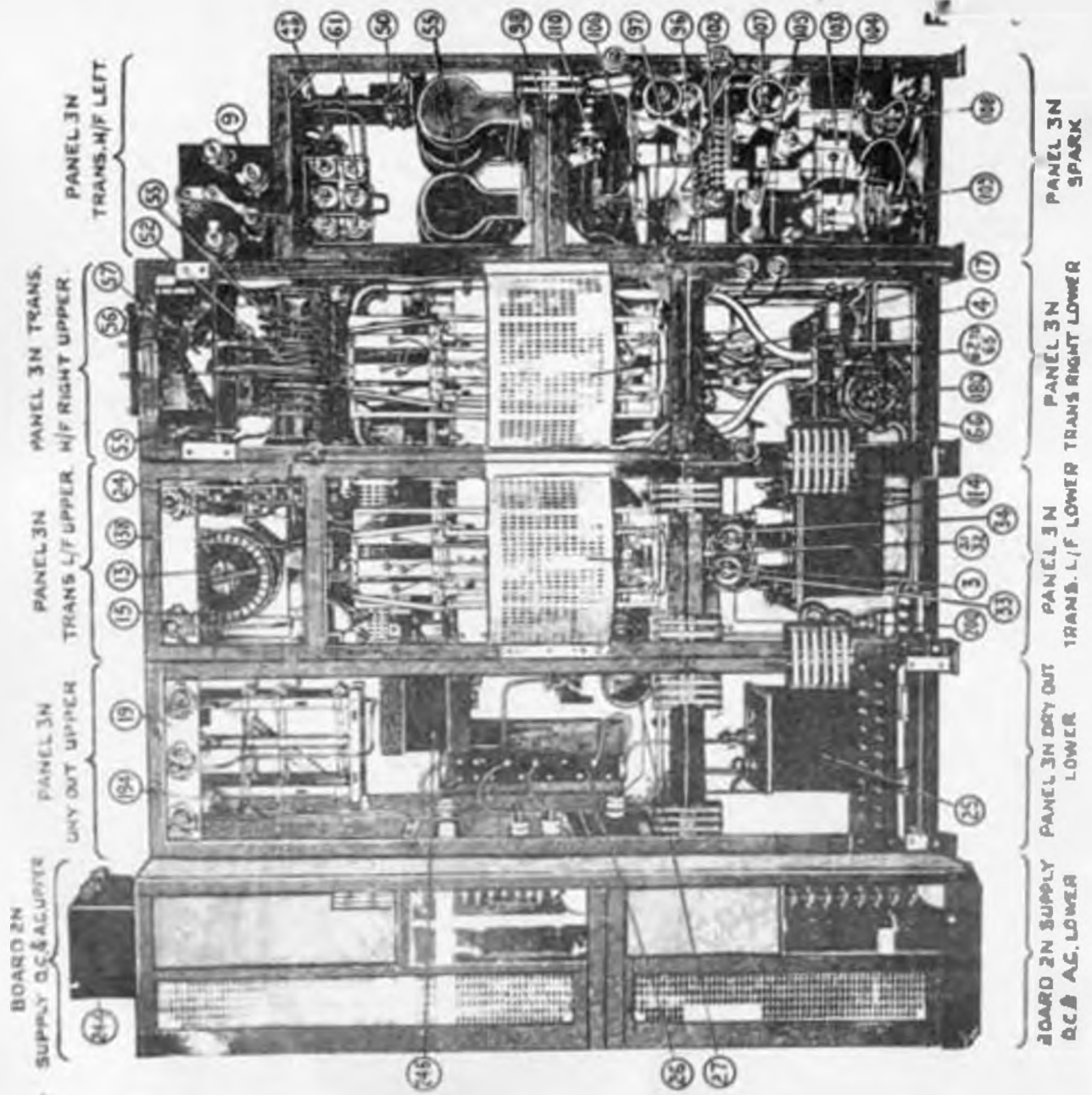
# TYPE 46 TRANSMITTER 3N H/F (CONT)



RK20

R132

# TYPE 46



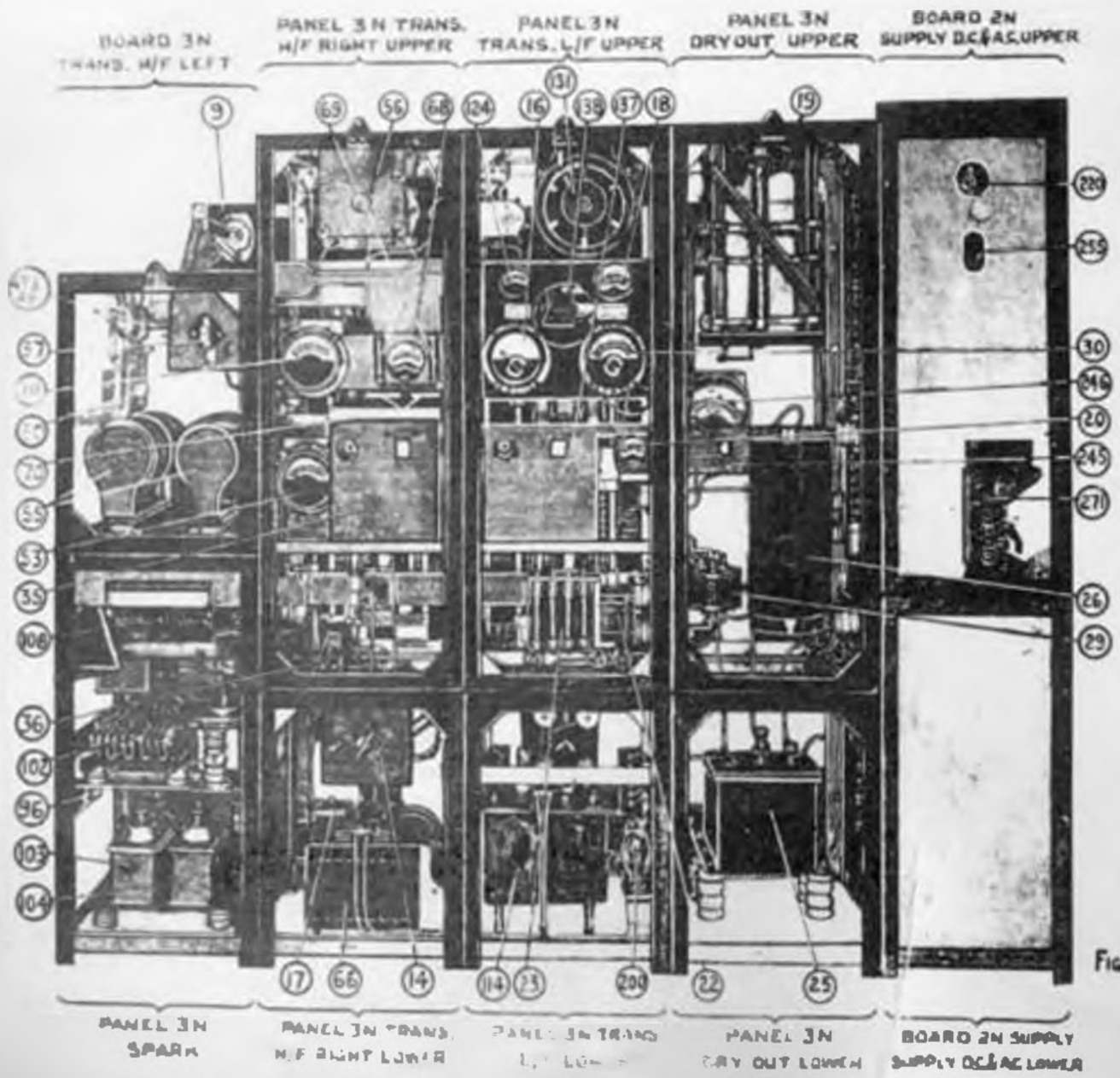


Fig 3