

Fig. 10.

RANGES 1, 2 AND 3.

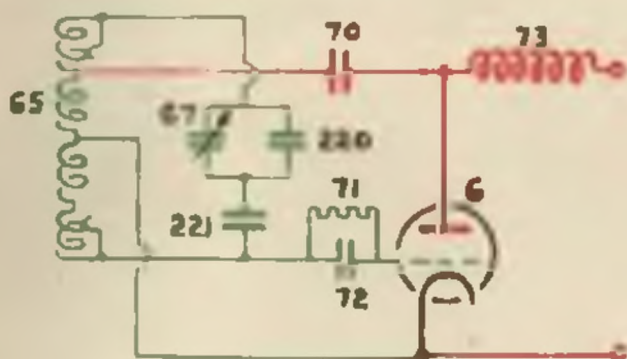


Fig. p.

RANGES 4, 5 AND 6.

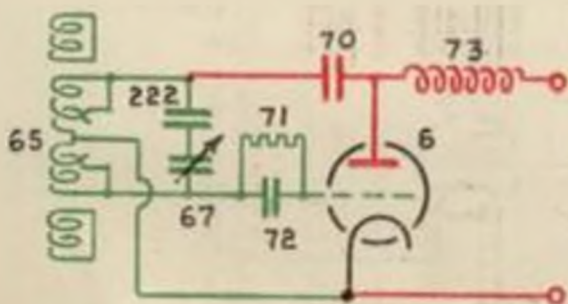
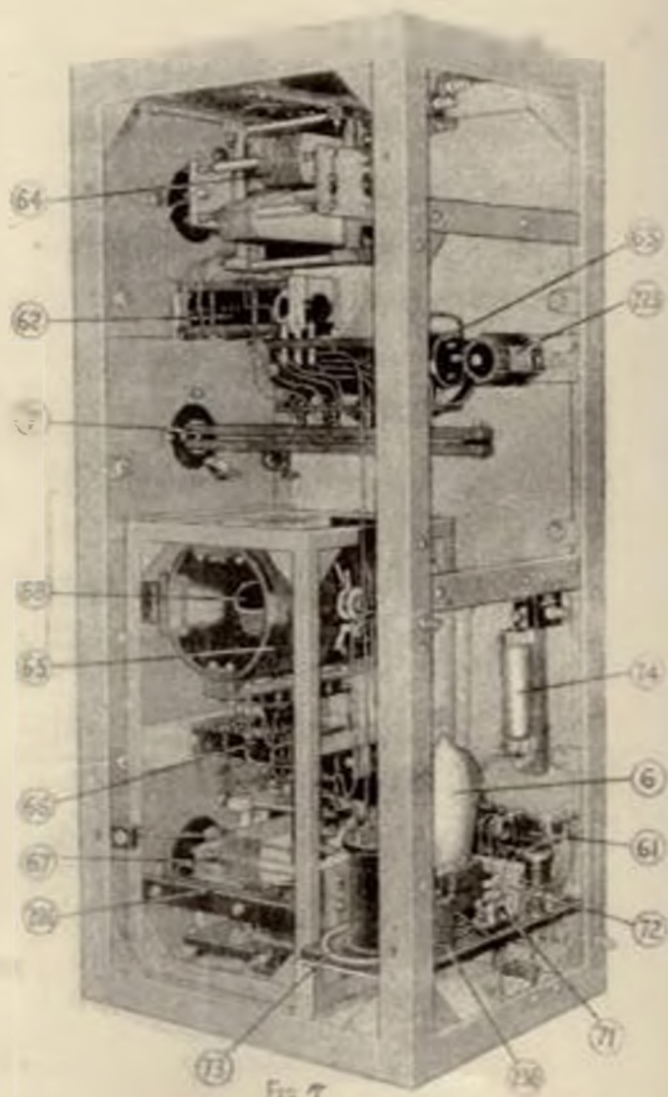


FIG. q.

PANEL 3T, LOW POWER



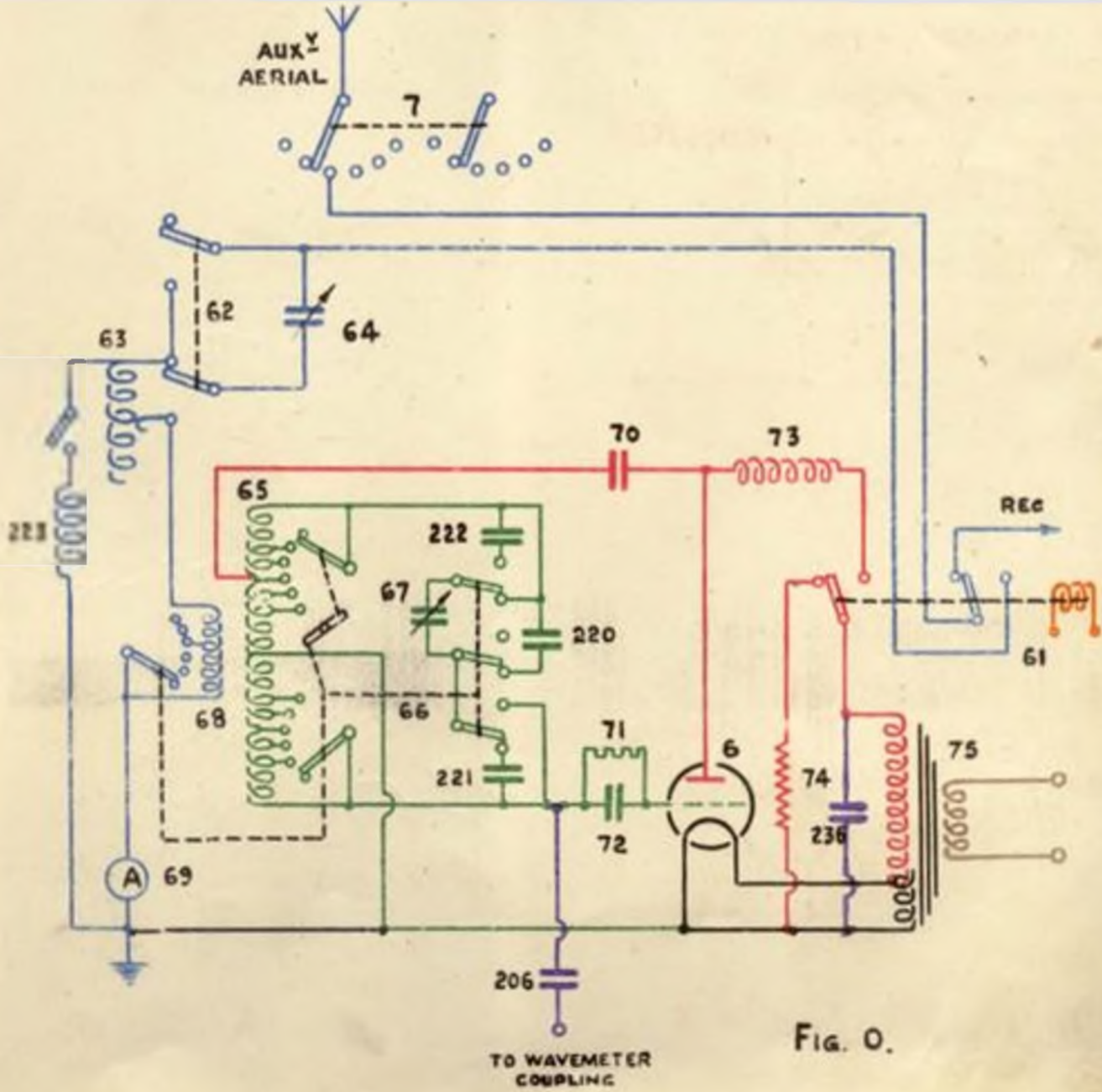


FIG. 0.

TYPE 49

AERIAL CIRCUITS

RN15

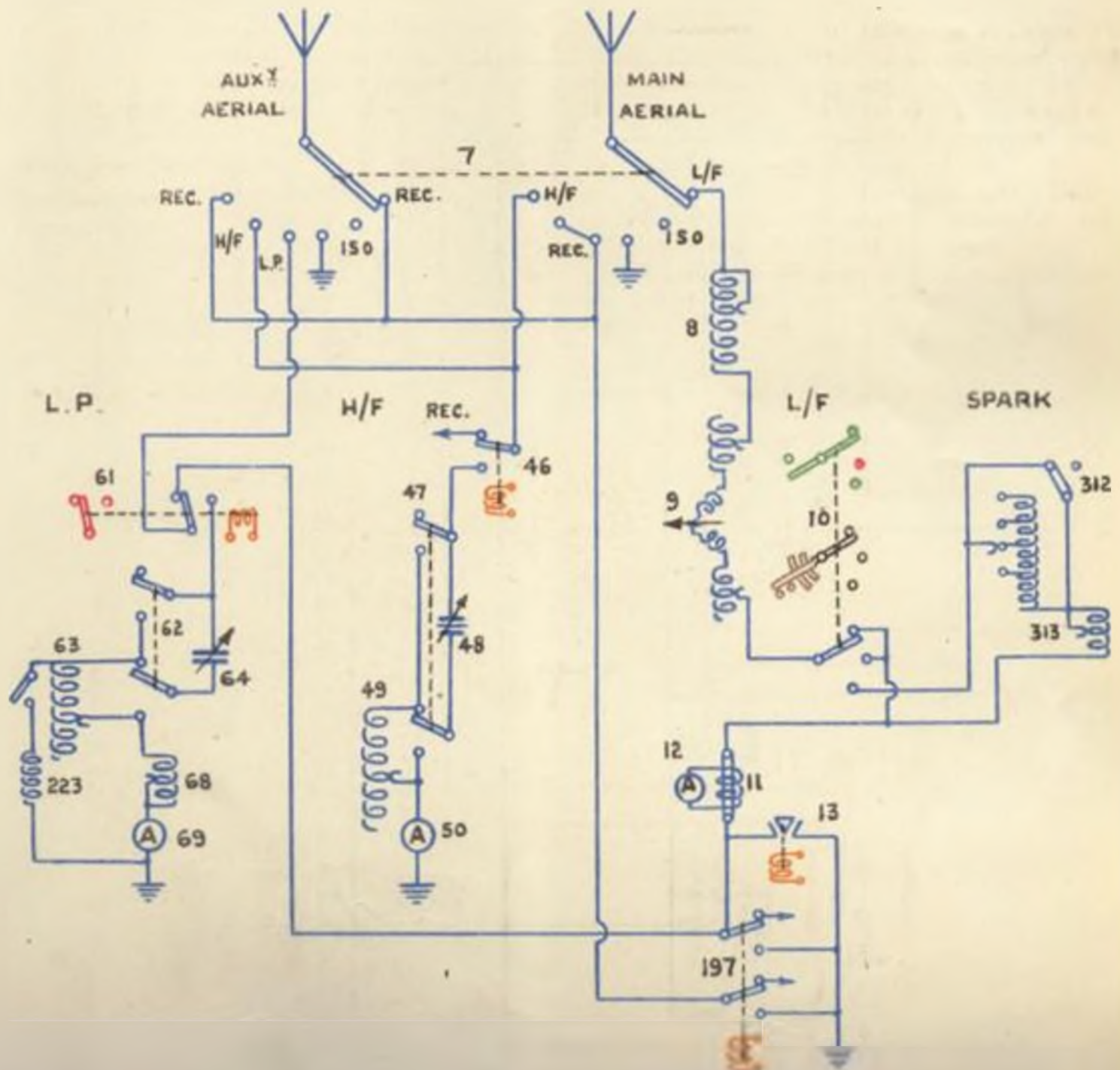
The aerial circuits are connected to the transmitters or receivers by the aerial C.O.S. (7) which is mounted behind the low power panel with its handle projecting through the panel front.

In main office sets of flotilla leaders, destroyers and netlayers, where two aeriels, main and auxiliary, are used, the aerial C.O.S.(7) is a two pole, six position, switch with connections as shown in figure 2. The switch operates so that when one aerial is connected to a transmitter the other is connected to a receiver and both aeriels are isolated or earthed together.

In main office sets of sloops, gunboats, etc., where only one aerial is used, the aerial C.O.S.(7) is a one pole, five position switch.

In second office sets where only one aerial is used the aerial C.O.S.(7) is a one pole, five position switch with auxiliary switches attached which operate the warning circuits from the main W/T office.

In aircraft carriers second office sets, where an alternative aerial can be used, the C.O.S.(7) is connected to the aerial desired by means of hand operated links fitted in a convenient position behind the valve panels.



PANEL 3T, H/F, TRANSMITTING

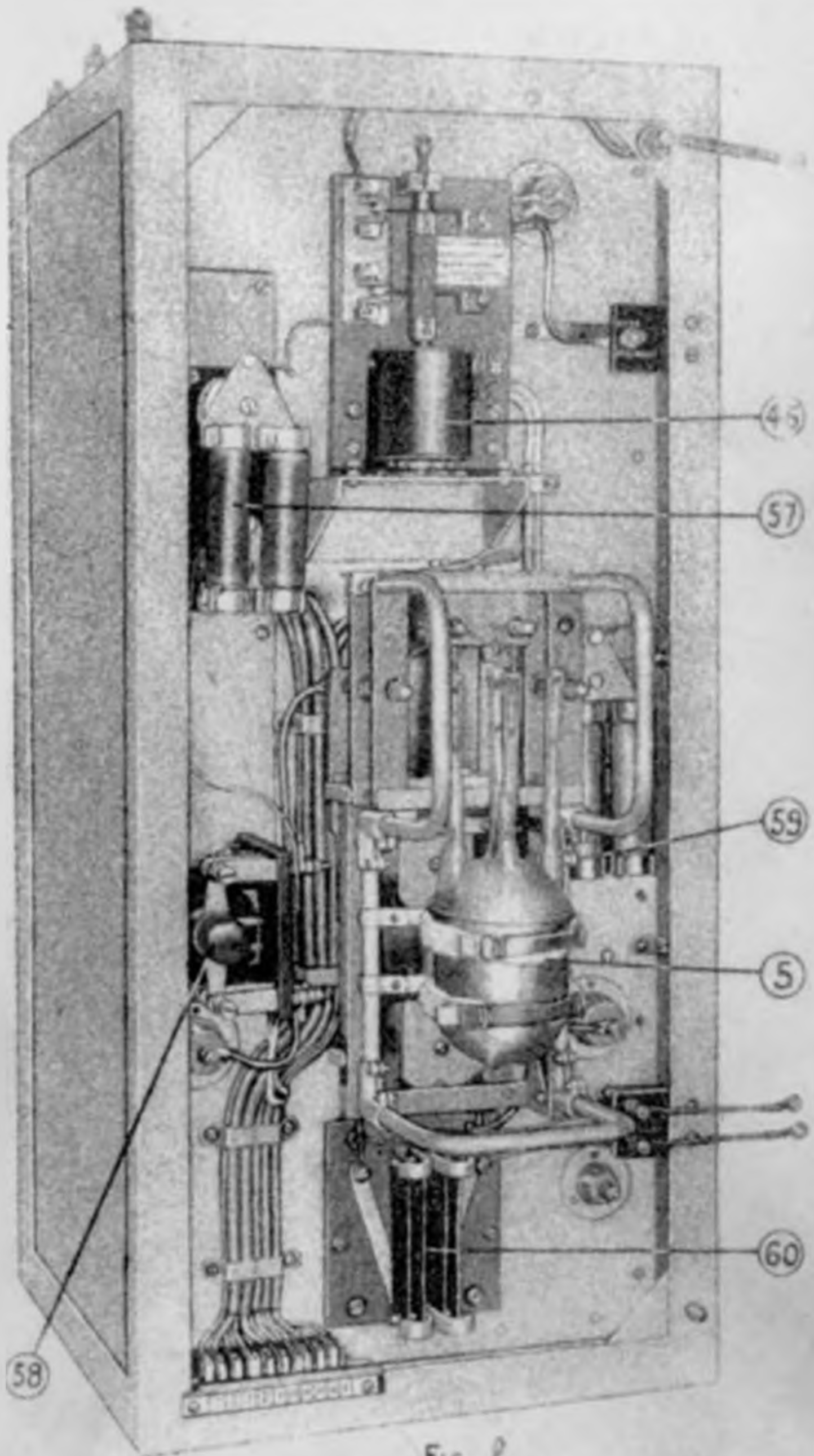


FIG. 2

PANEL 3T, L/F, MASTER OSCILLATOR

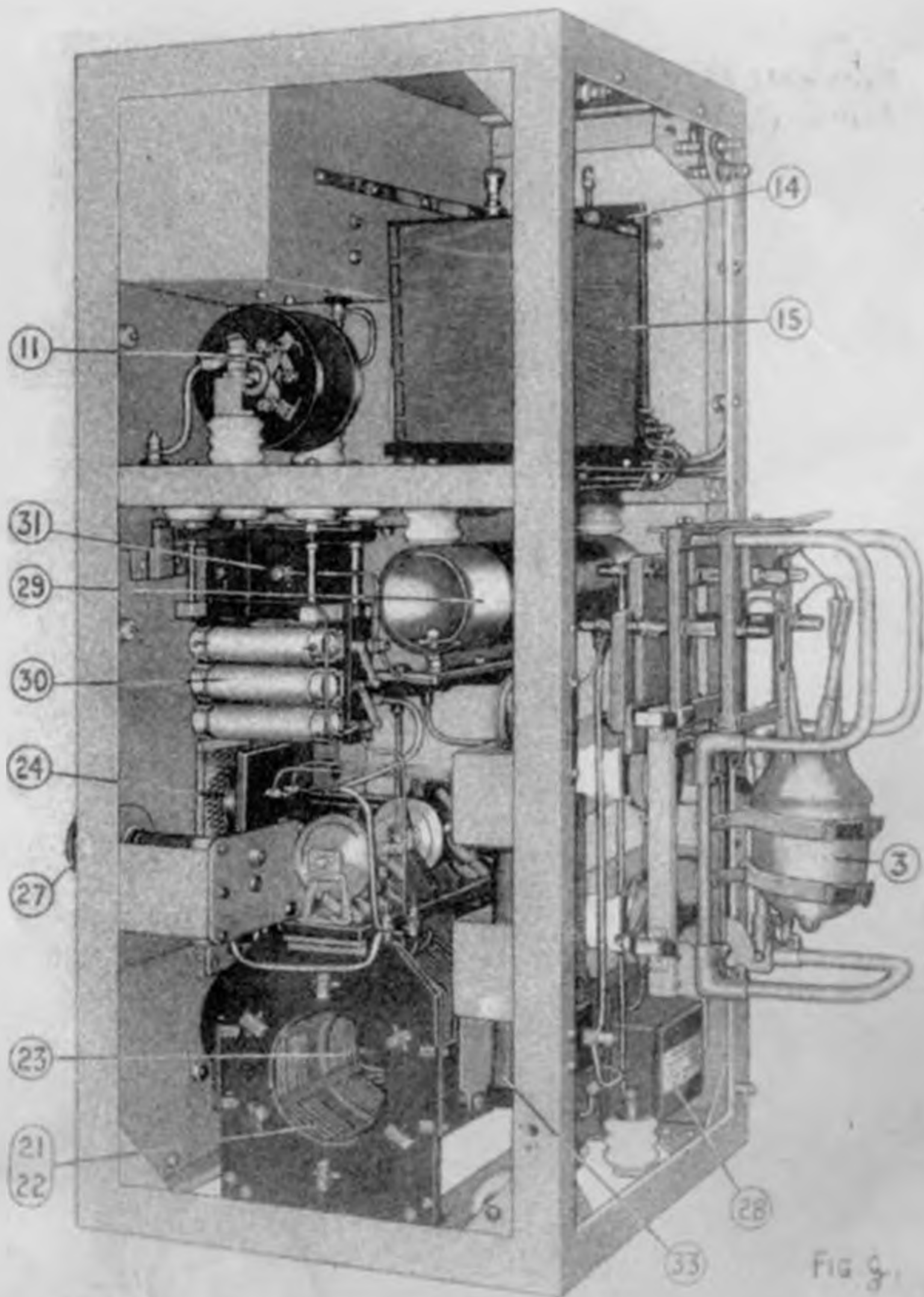


FIG. 9

PANEL 3T, L/P.

NO. 14

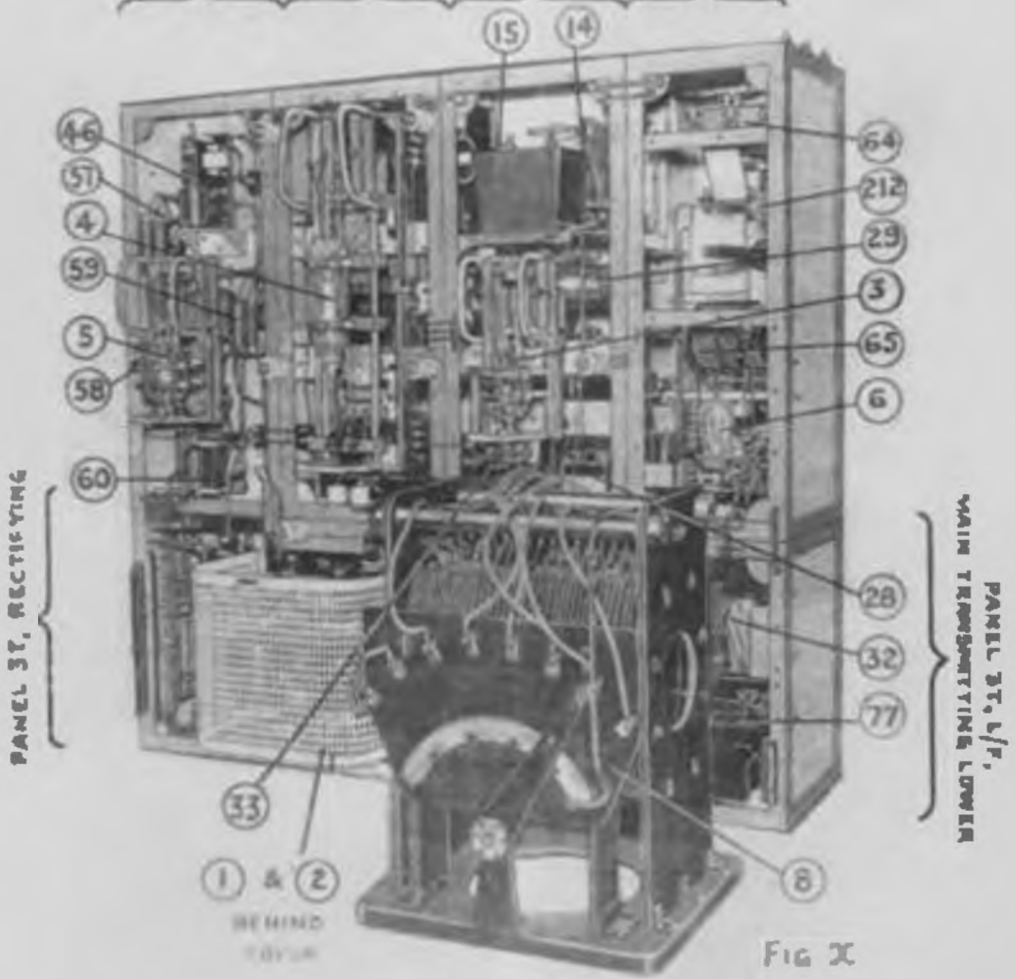
PANEL 3T, L/P.

PANEL 3T, L/P.
TRANSMITTING

TRANSMITTING
JUMPER

MASTER
OSCILLATOR

PANEL 3T, L/P.
LOW POWER



PANEL 3T, RECTIFYING

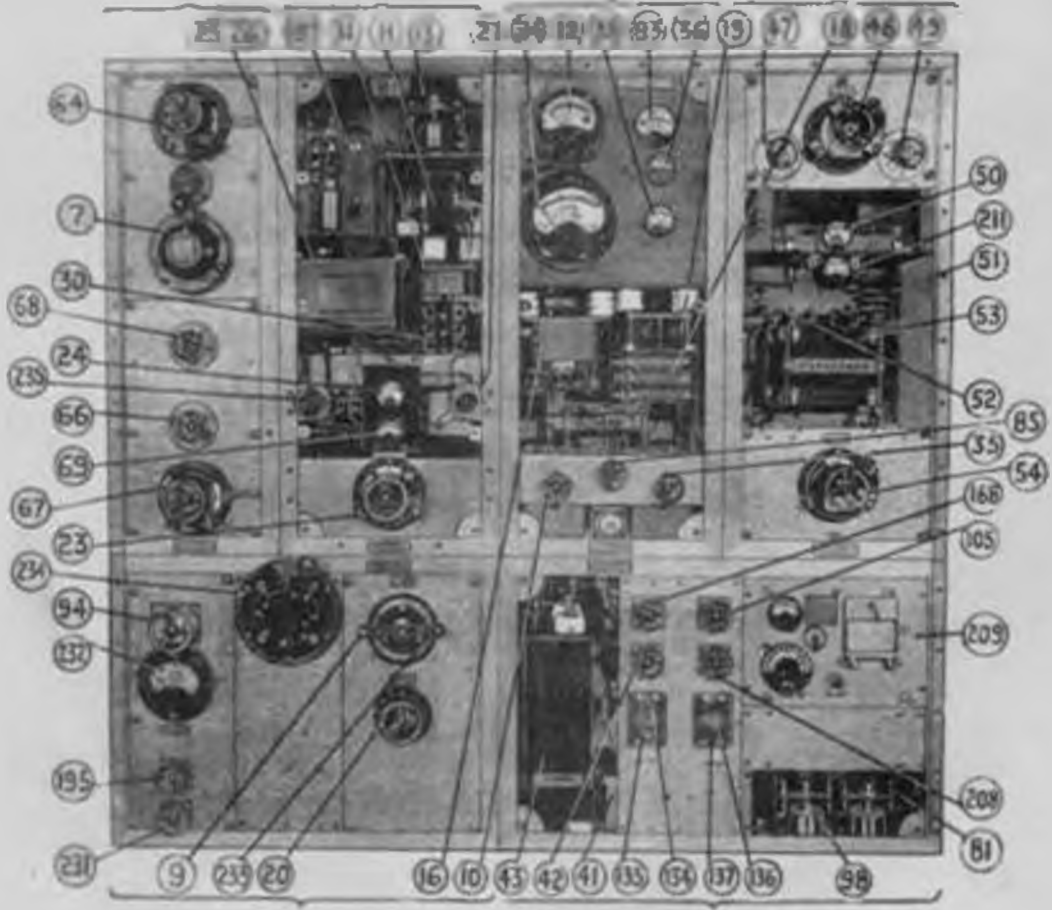
PANEL 3T, L/P,
MAIN TRANSMITTING LOW POWER

1 & 2
BEHIND
COIL

FIG X

MAIN L/P AERIAL COIL .

PANEL 3T, LOW POWER MASTER OSCILLATOR PANEL 3T, L/F, MAIN TRANSMITTING UPPER PANEL 3T, M/F, TRANSMITTING



PANEL 3T, L/F, MAIN TRANSMITTING LOWER PANEL 3T, RECTIFYING.

Fig. y.