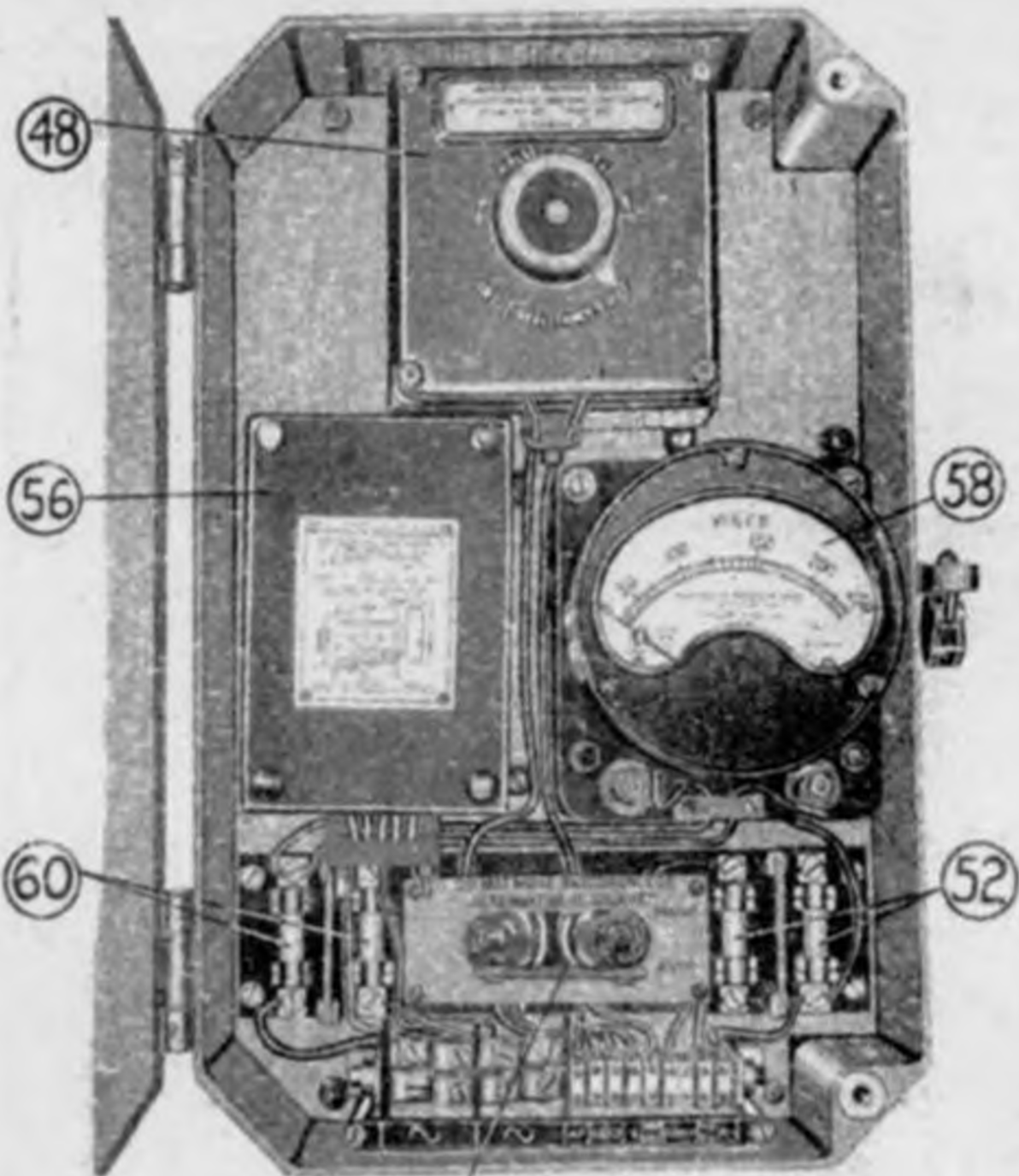


BOARD 2T, AUTO-VOLTAGE CONTROL



50 FIG 2

PANEL 3U RECTIFYING LOWER

PANEL 3U RECTIFYING UPPER AND LOW POWER

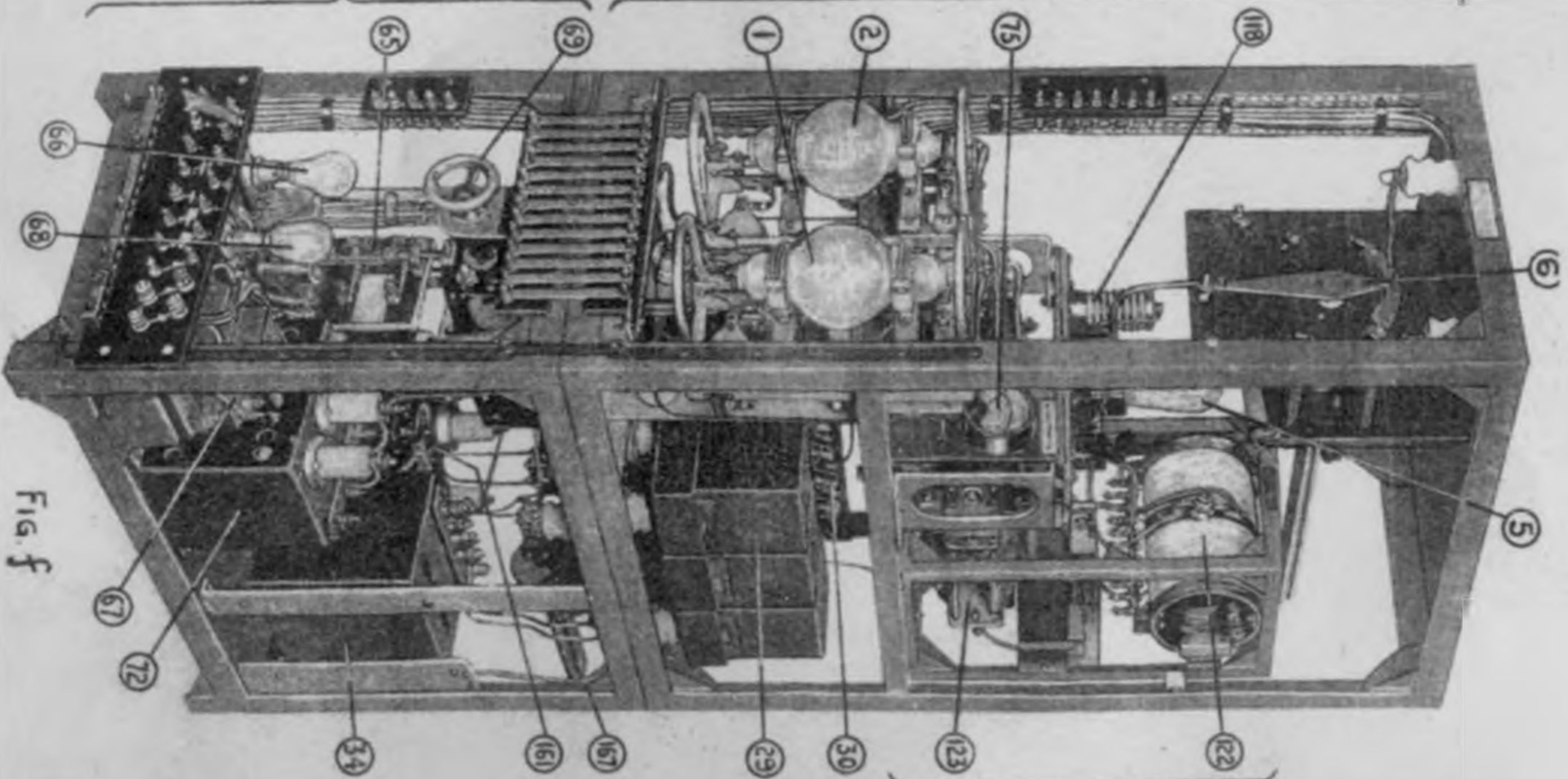


Fig. f

LOW POWER TUNING UNIT

BOARD 2T. A.C. SUPPLY

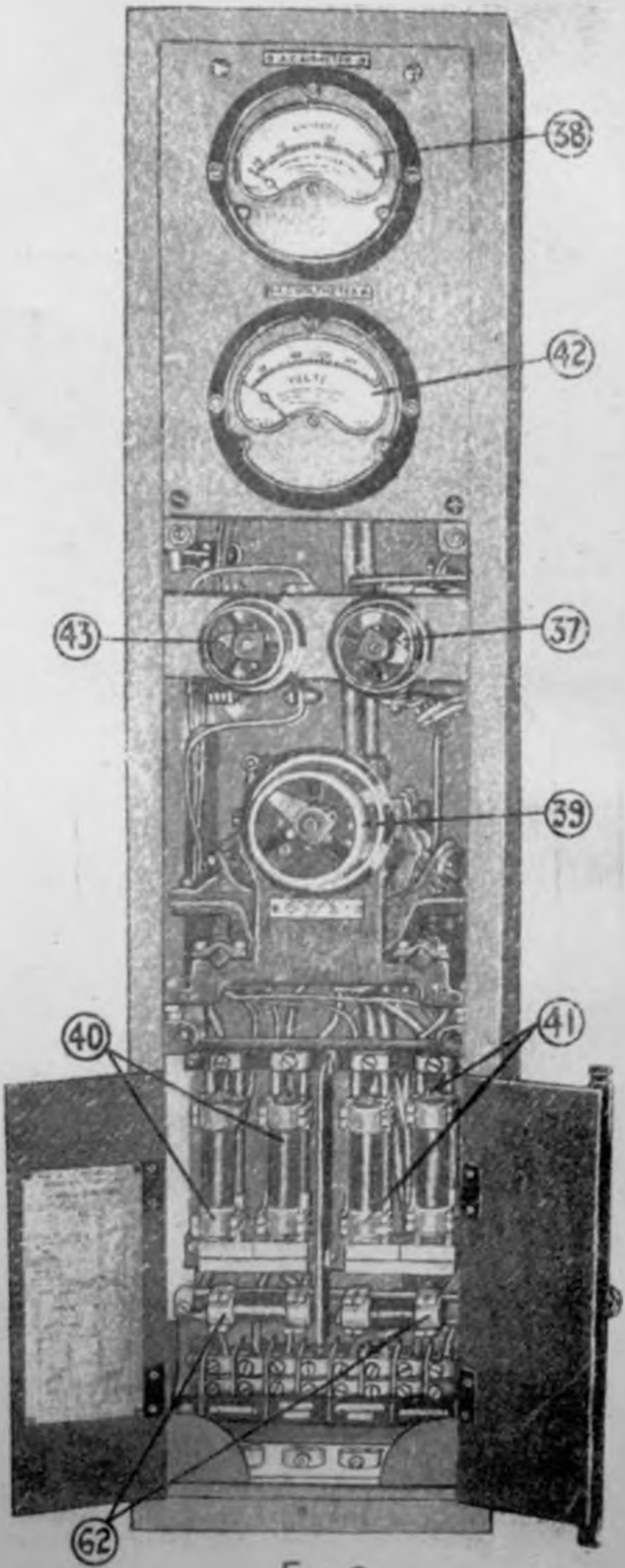


FIG C.

BOARD 2T, SUPPLY 20 VOLTS

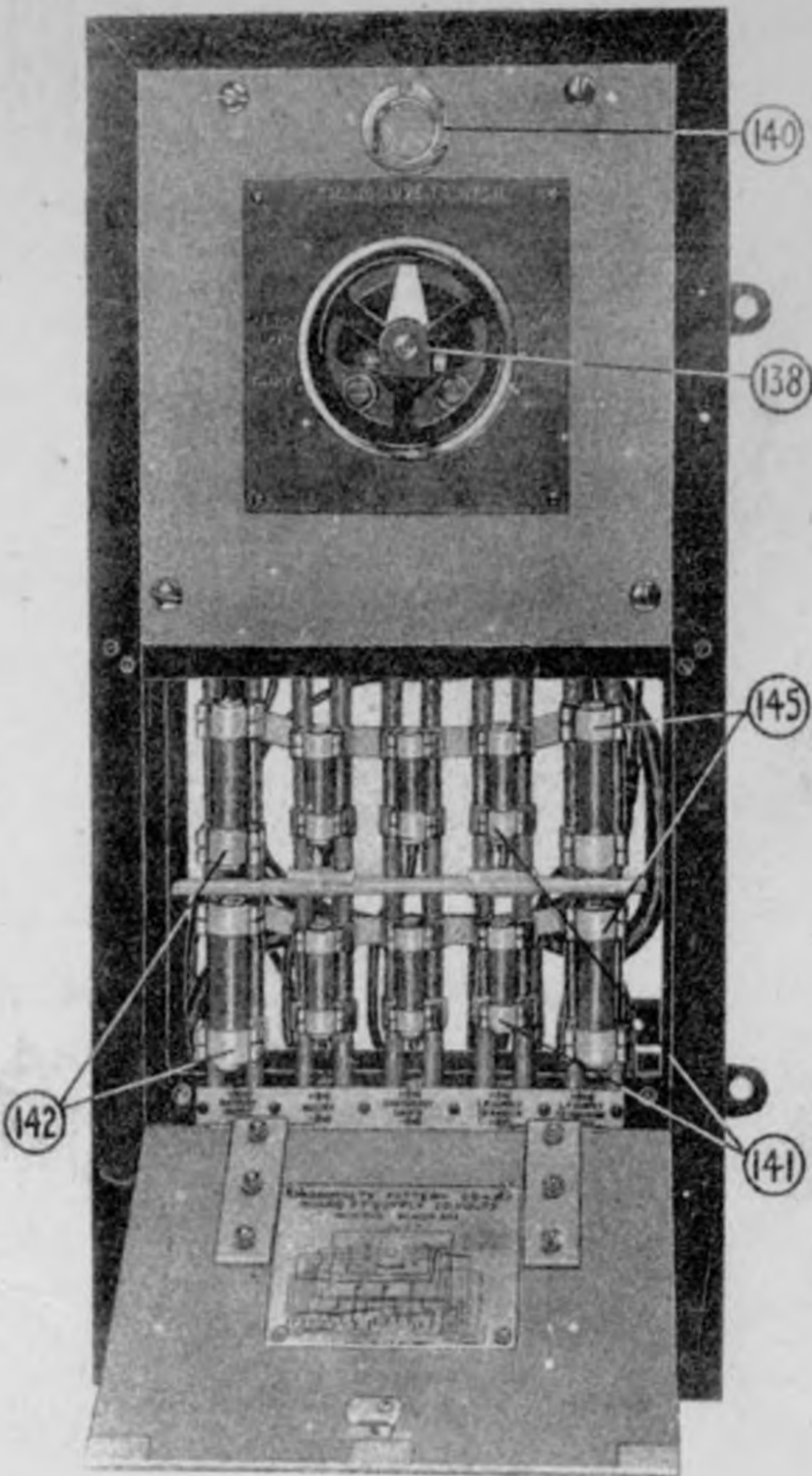


FIG. m

FILAMENT SUPPLY

BOARD 2Y A.C. SUPPLY

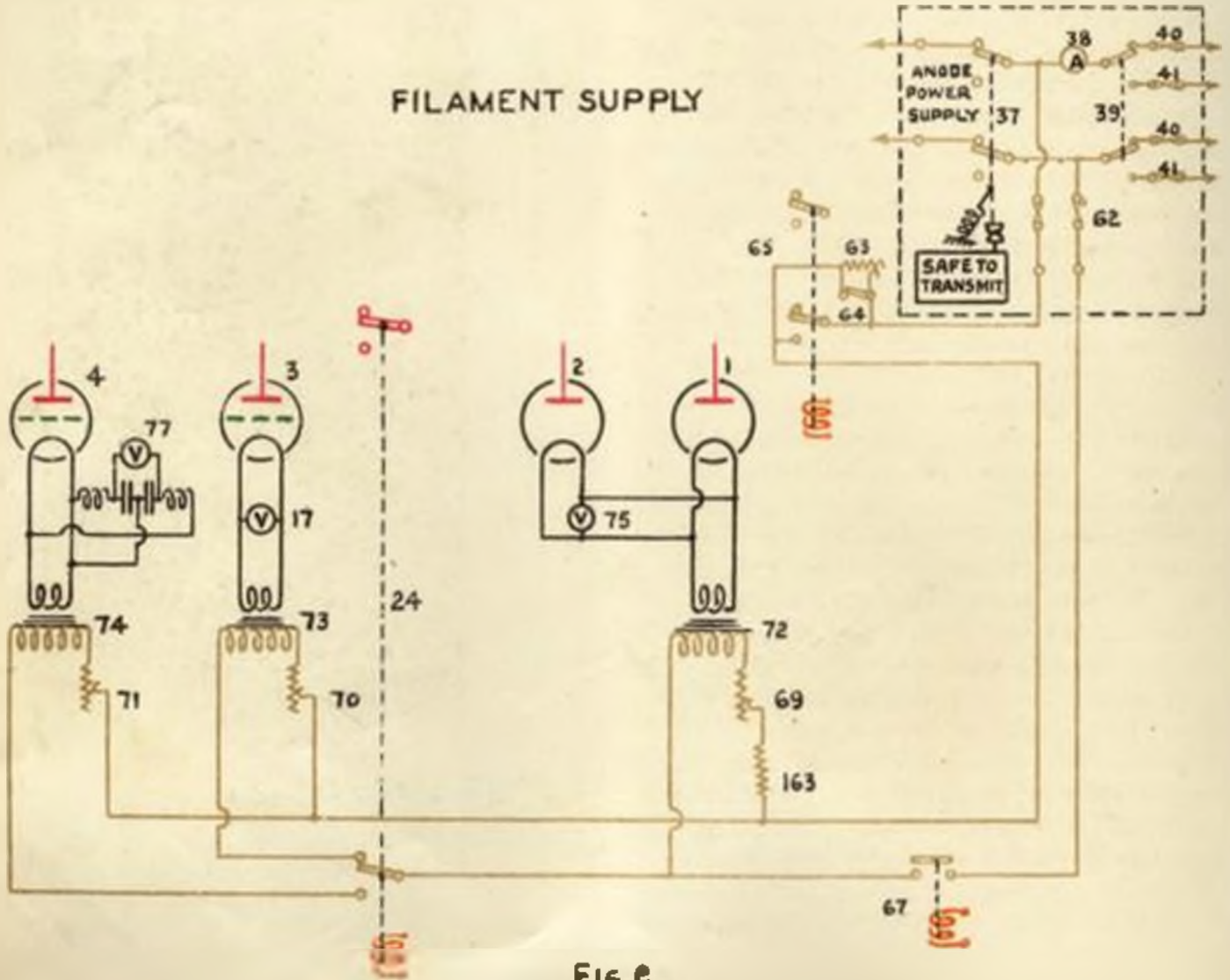


FIG 2

R04

TYPE 50

H.T. SUPPLY

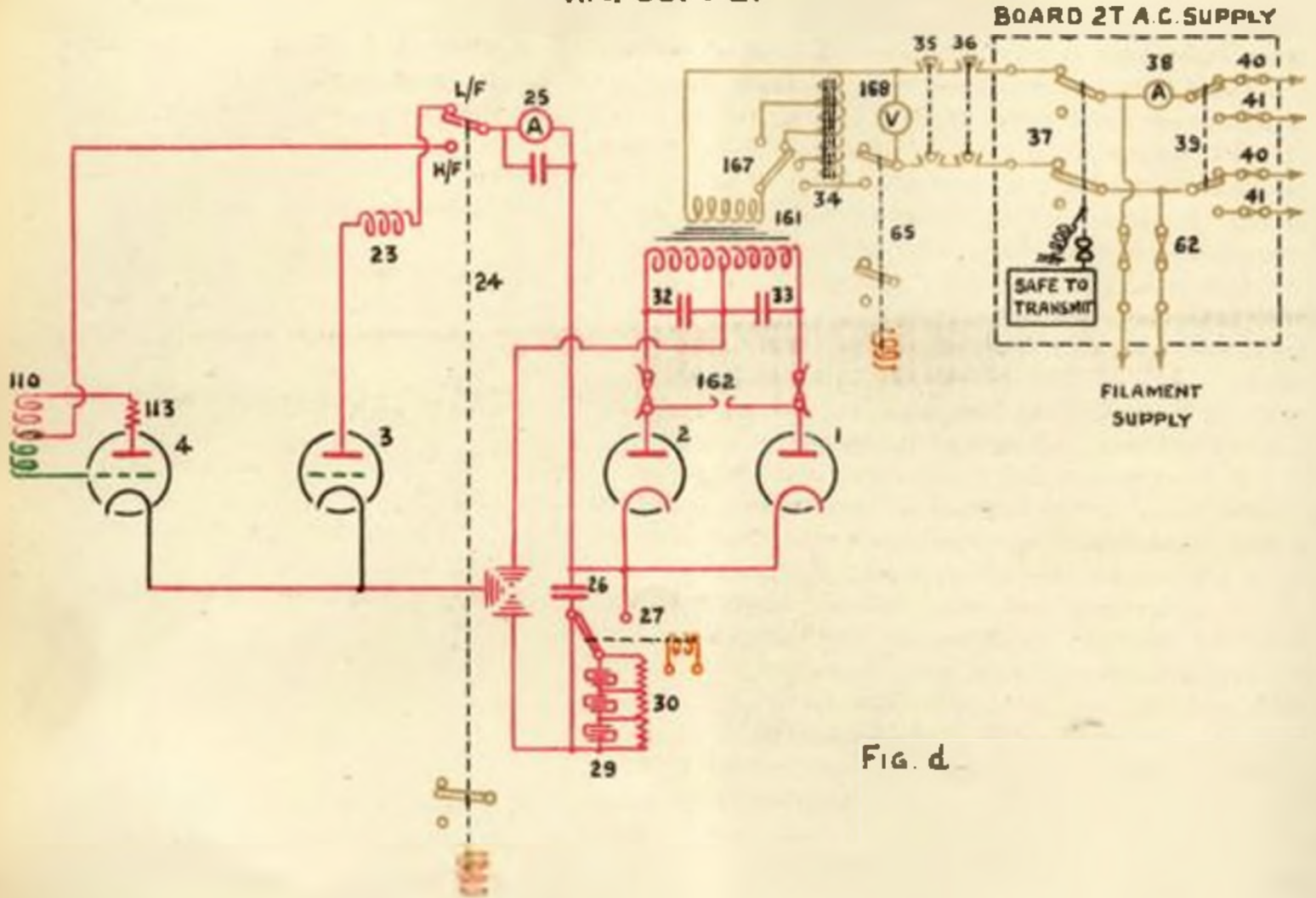


FIG. d

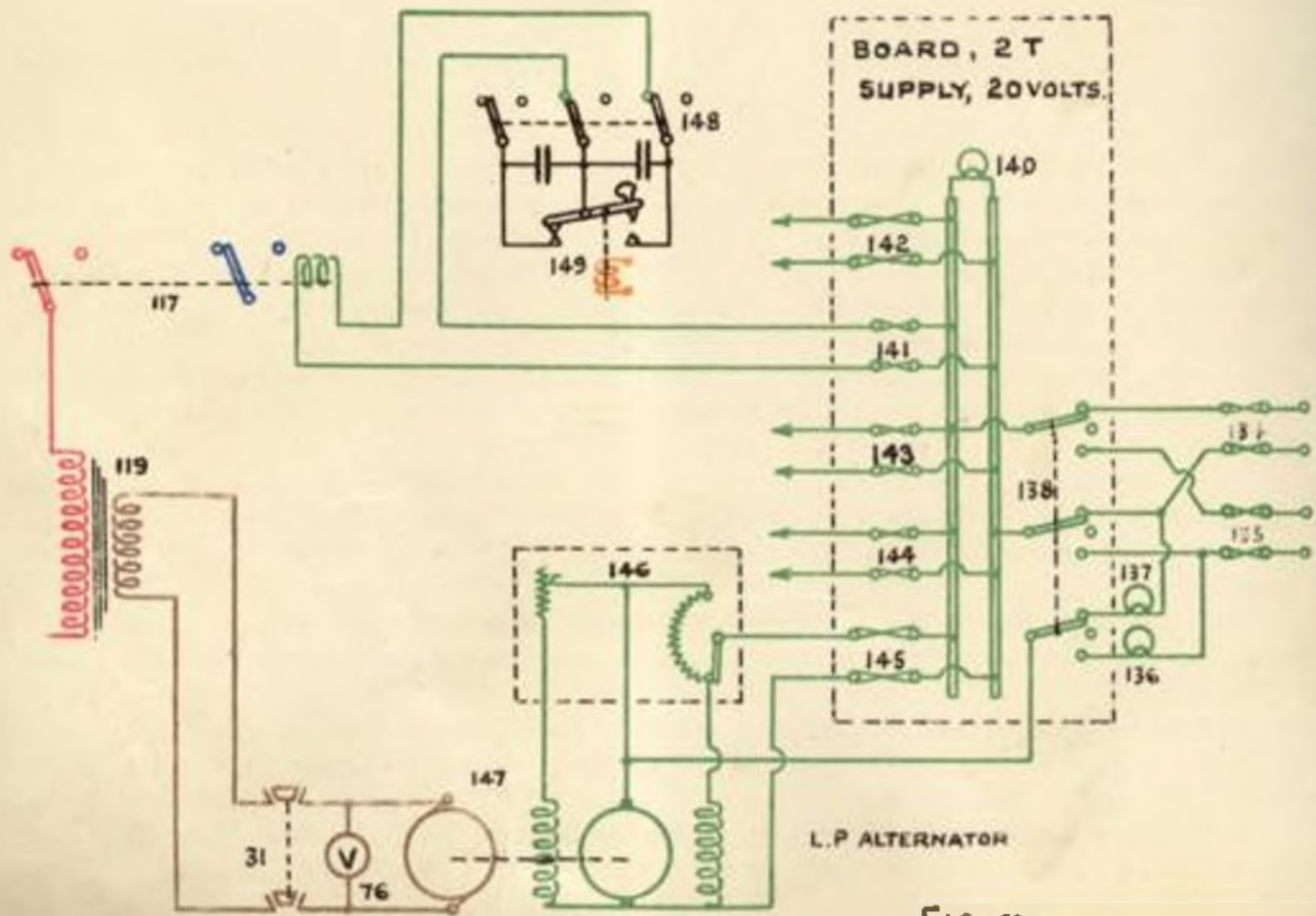


FIG 2

POWER SUPPLY

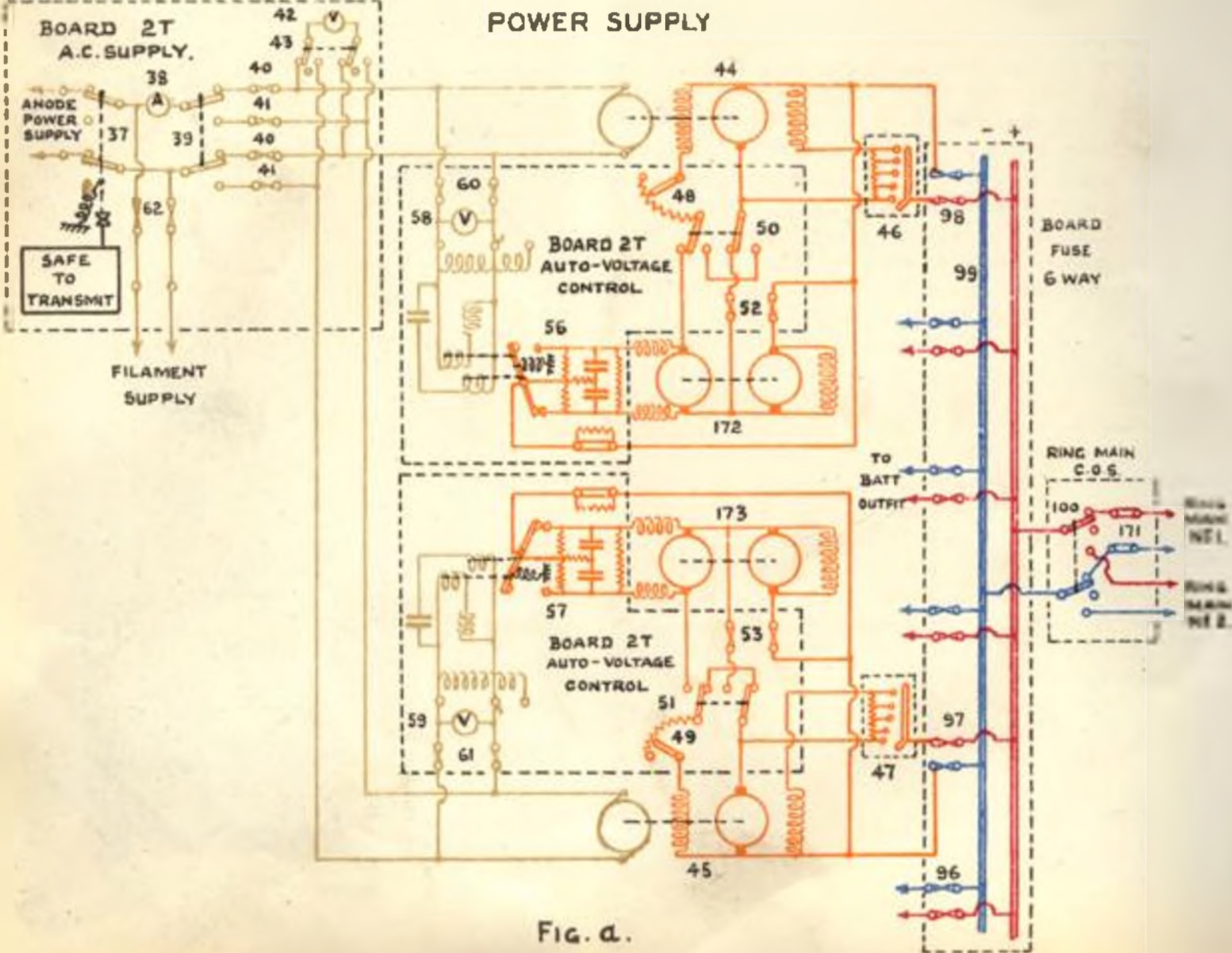


FIG. a.