

R08

TYPE 50 TRANSMITTER 3U H/F

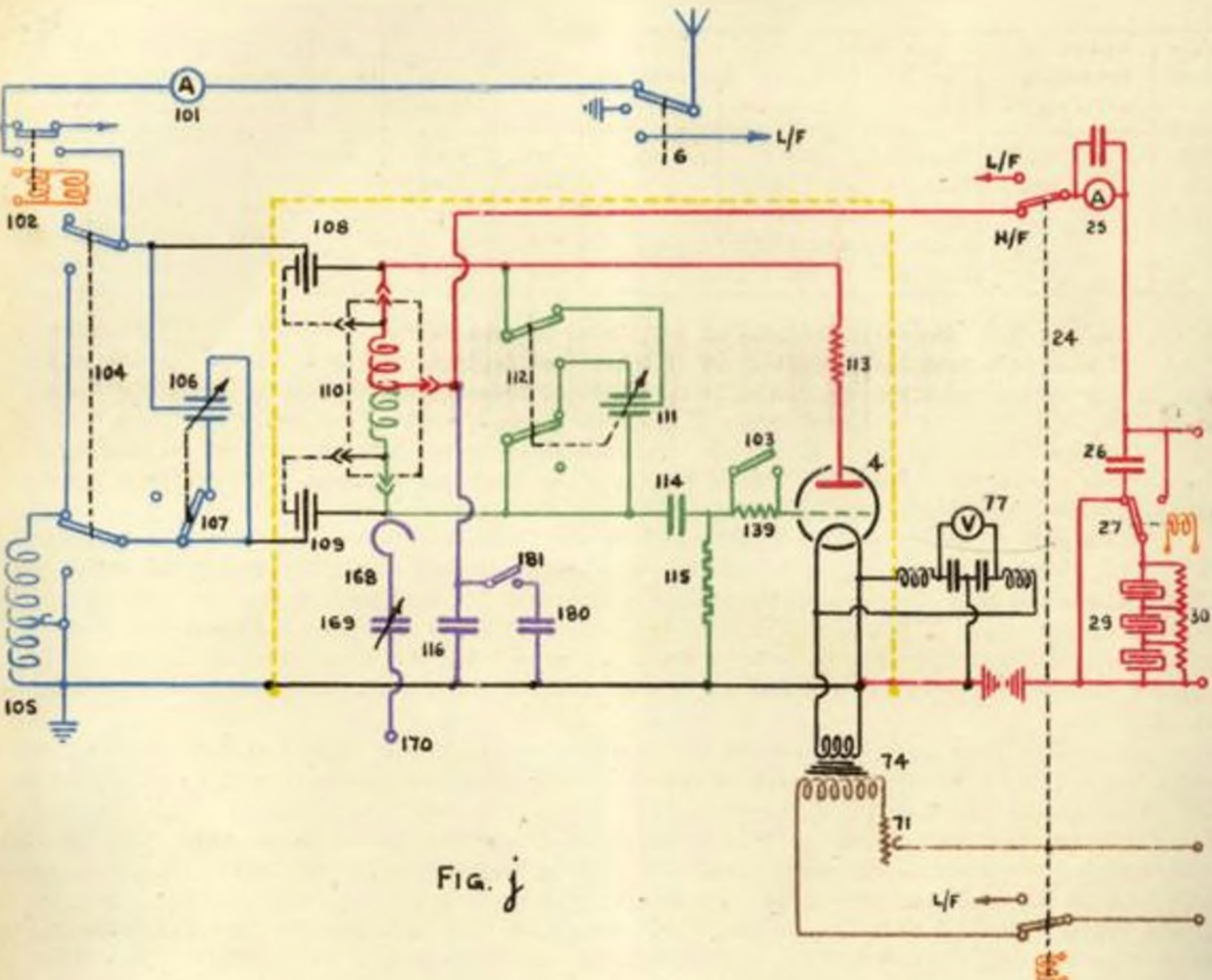


FIG. j

AERIAL CIRCUIT

SERIES POSITION

PARALLEL POSITION

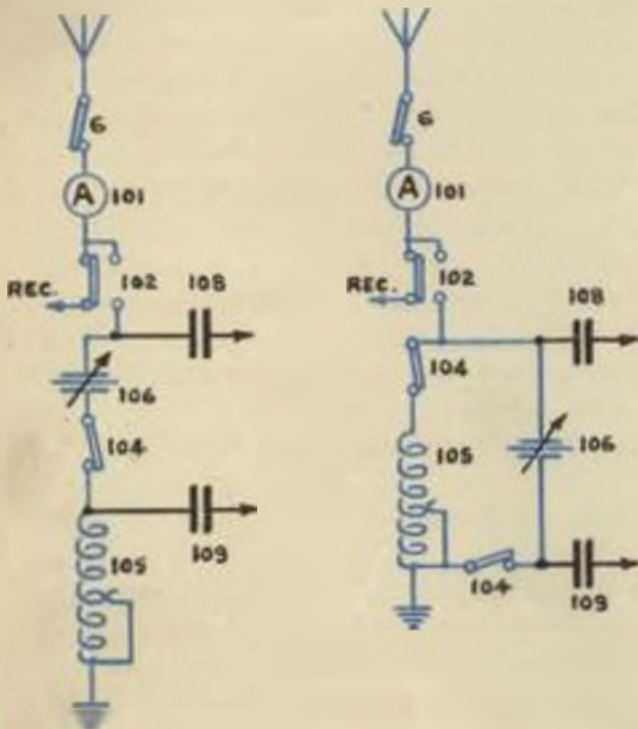
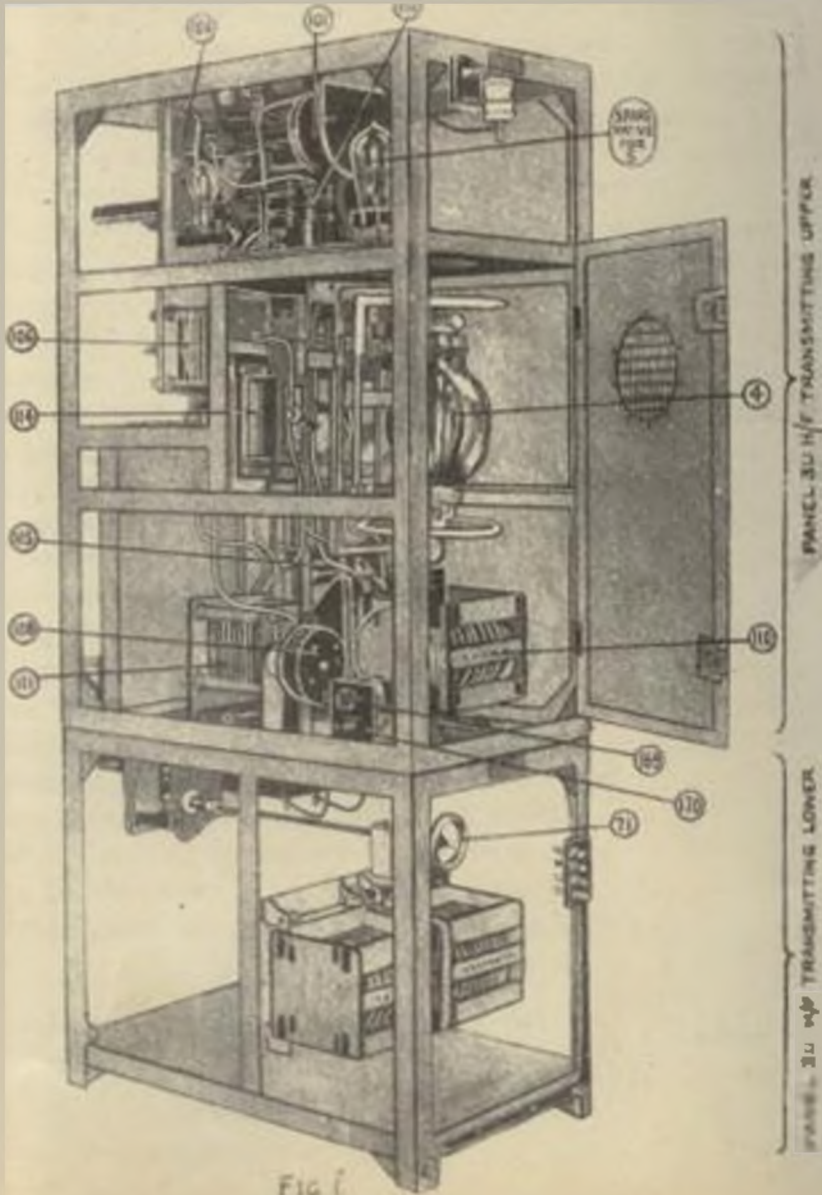


FIG. 2



TYPE 50 TRANSMITTER 3U L/F

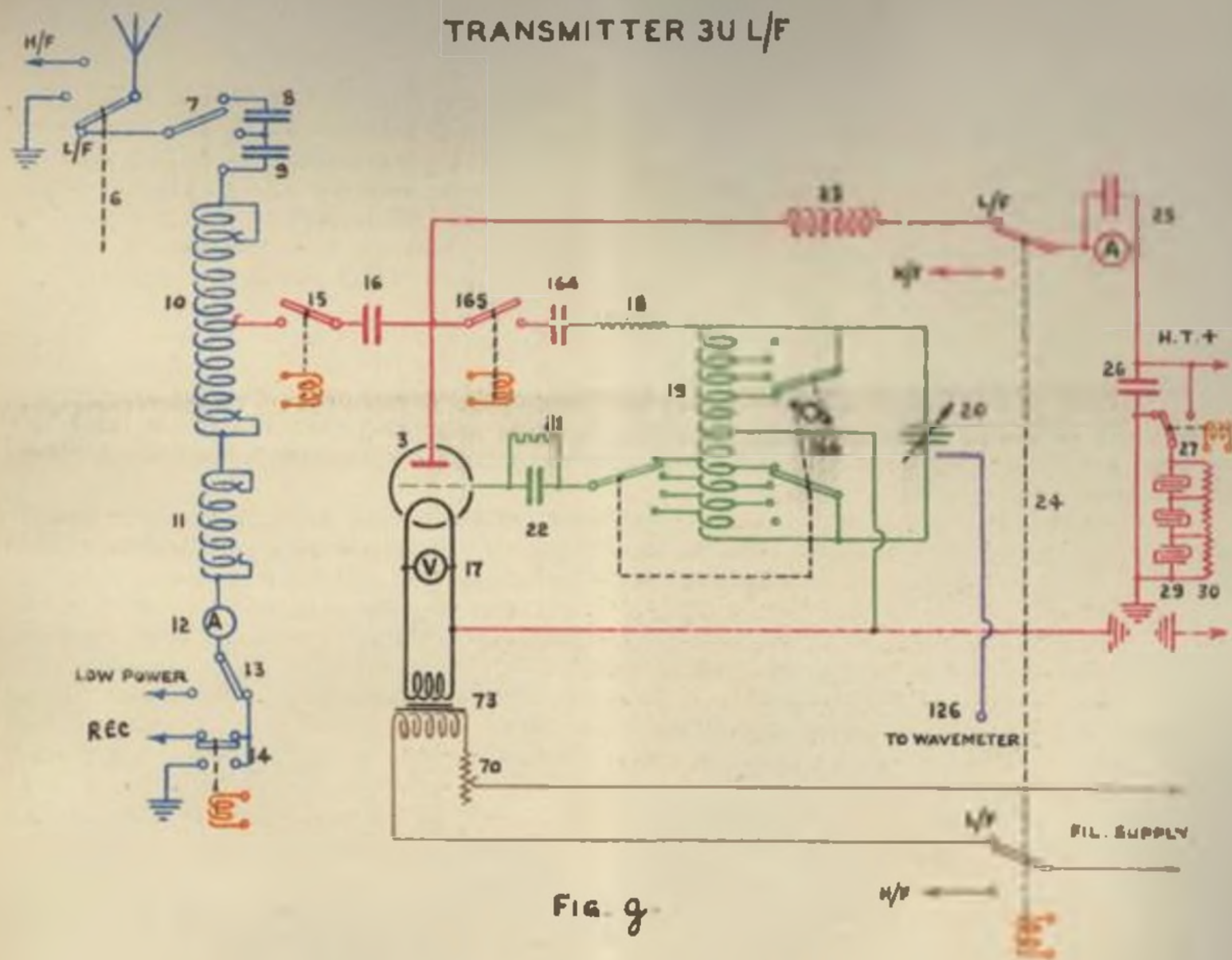


FIG. g

SIMPLIFIED CIRCUIT

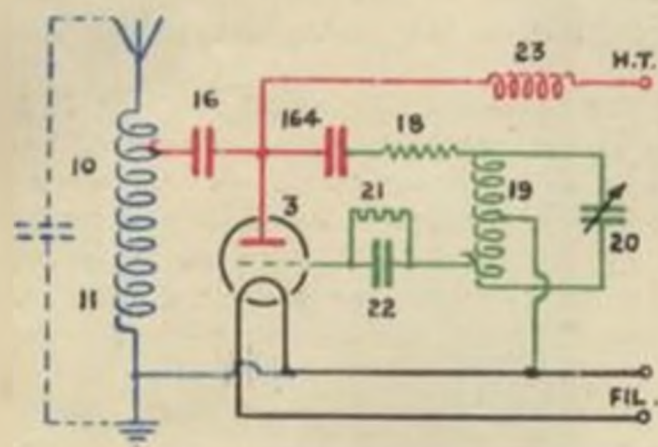
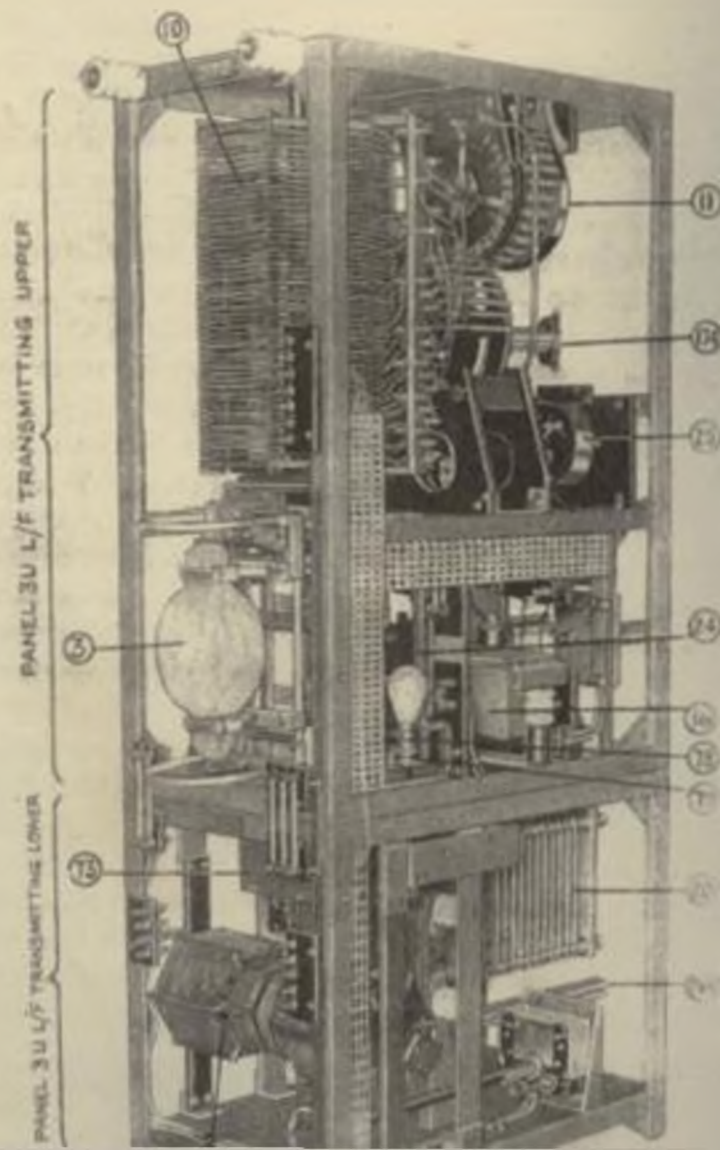


FIG. h



SIMPLIFIED CIRCUITS.

RANGE 1, 2 AND 3.

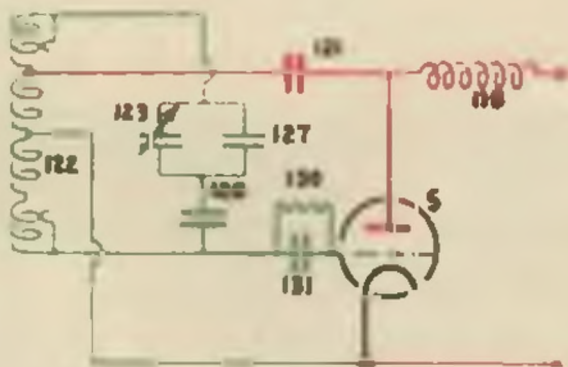


FIG. p.

RANGES 4, 5 AND 6

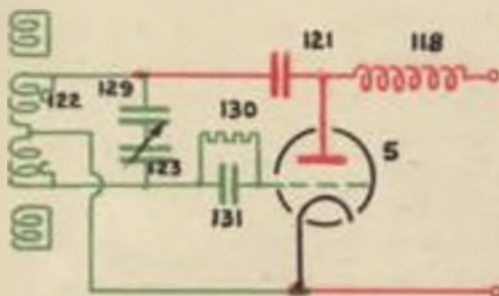


FIG. q.

LOW POWER TUNING UNIT

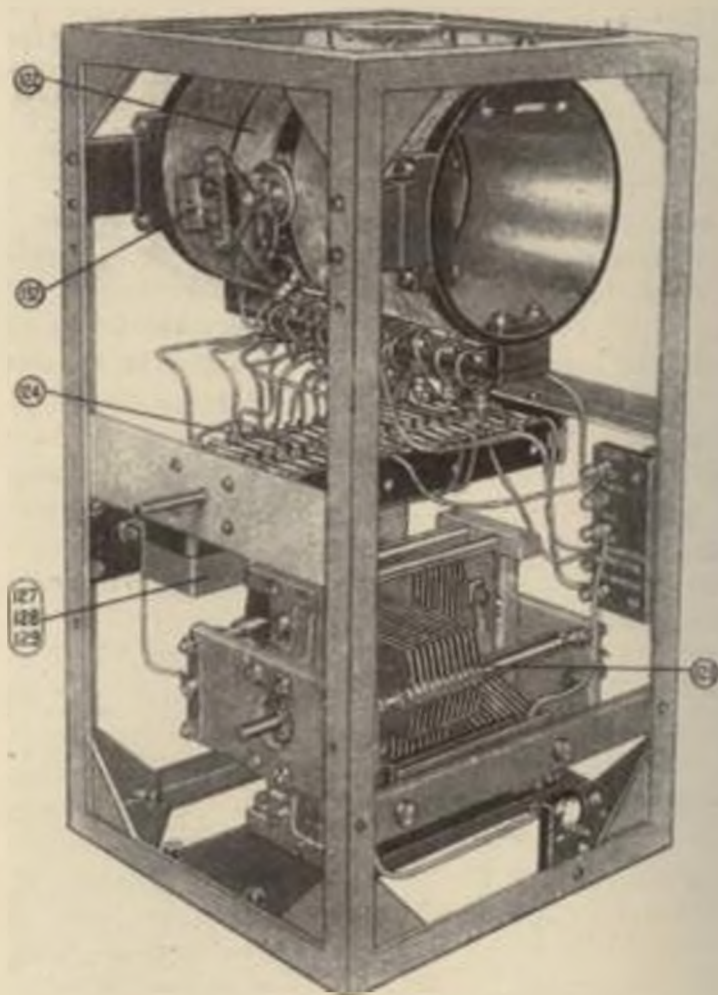


FIG. 1

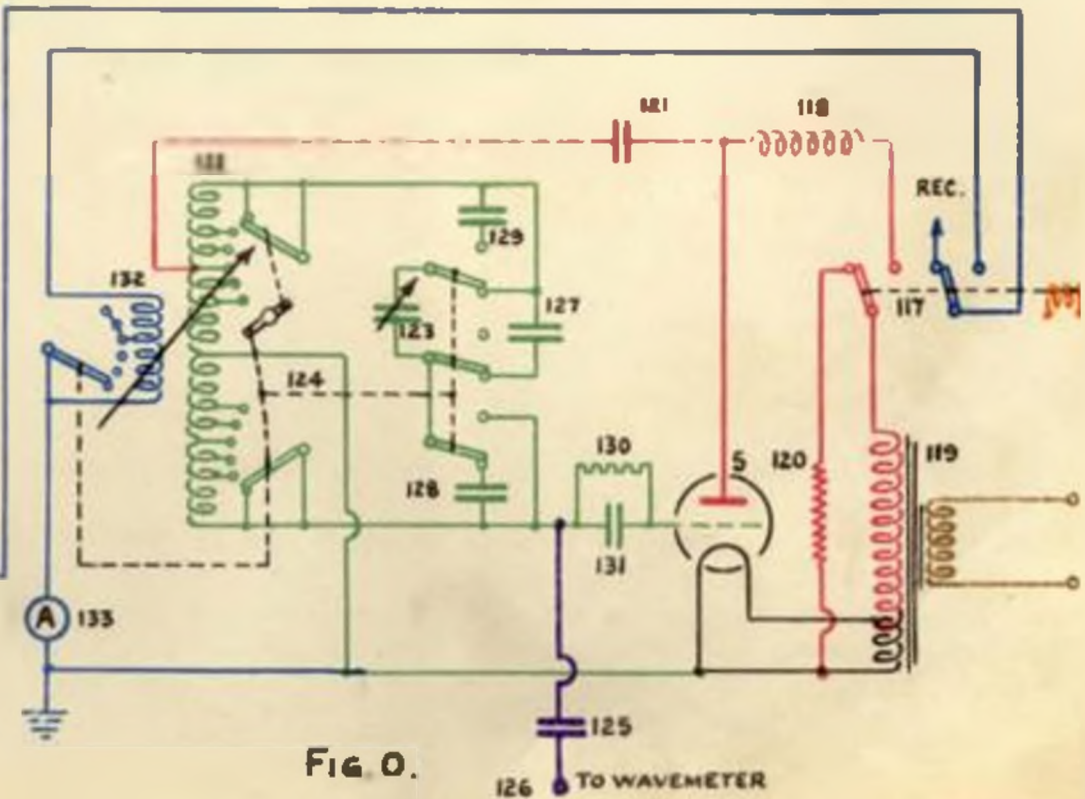
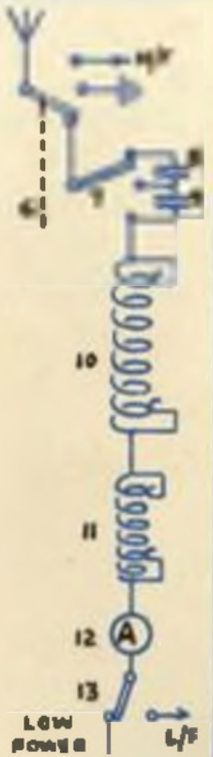
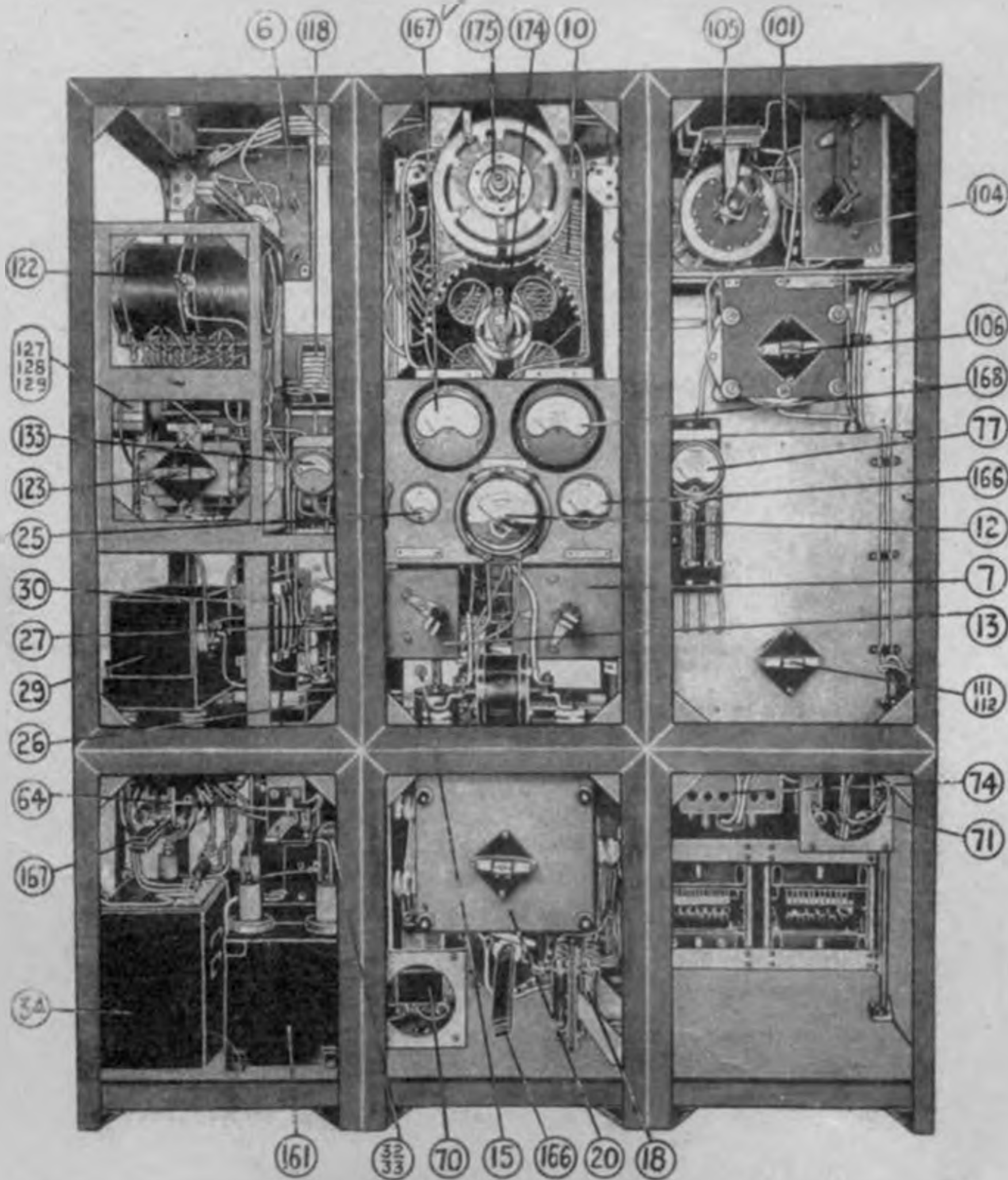


FIG. O.

PANEL 3U RECTIFYING,
UPPER AND LOW POWER

PANEL 3U L/F
TRANSMITTING, UPPER

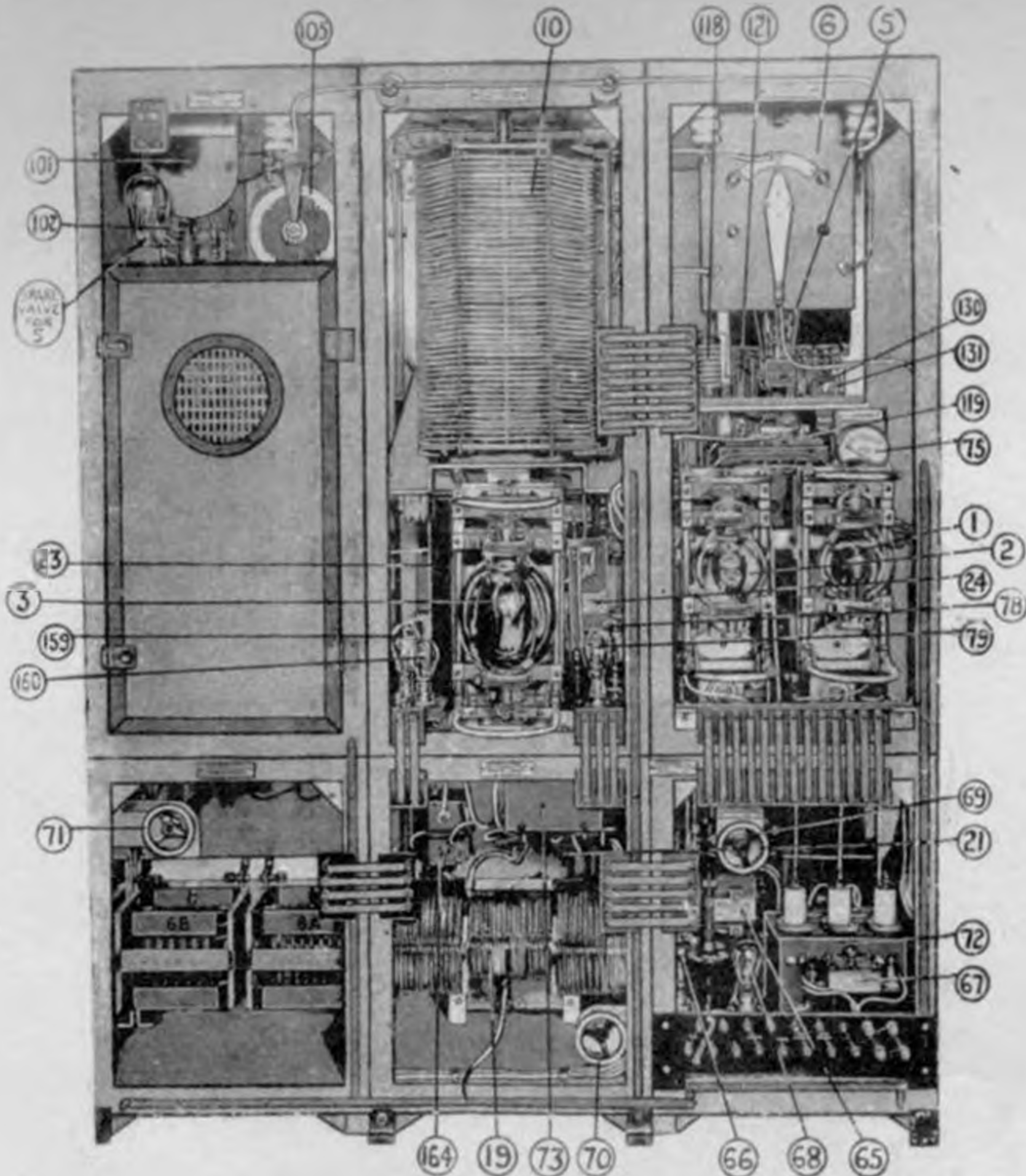
PANEL 3U H/F
TRANSMITTING, UPPER



PANEL 3U RECTIFYING,
LOWER

PANEL 3U L/F
TRANSMITTING, LOWER

PANEL 3U H/F
TRANSMITTING, LOWER



PANEL 3U H/F
TRANSMITTING, LOWER

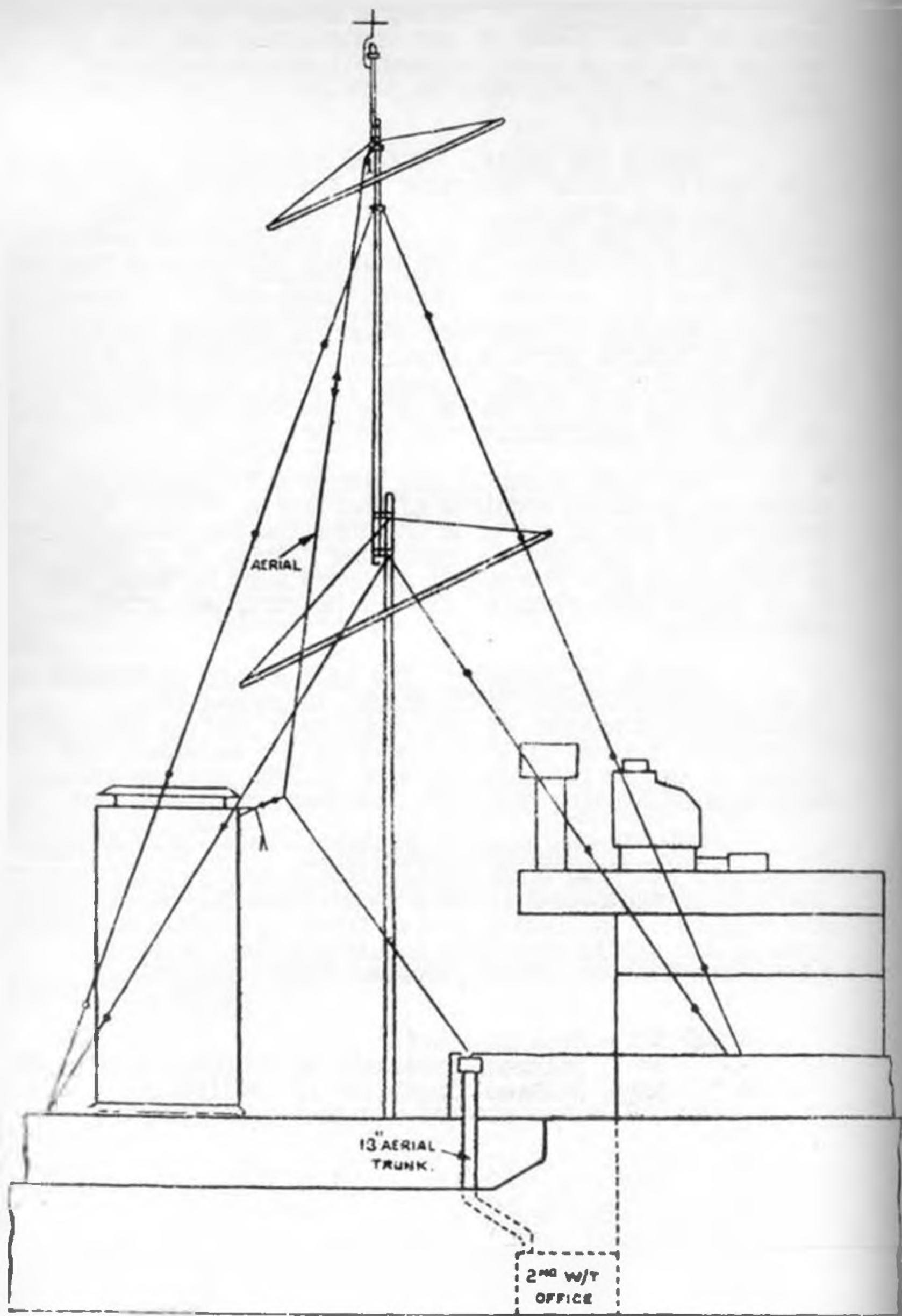
PANEL 3U L/F
TRANSMITTING, LOWER

PANEL 3U RECTIFYING,
LOWER

TYPE 50

TYPICAL RIG FOR CAPITAL SHIPS AND CRUISERS

FOREMAST (PART PROFILE).



TYPE 50
TYPICAL RIG FOR SLOOPS & GUNBOATS

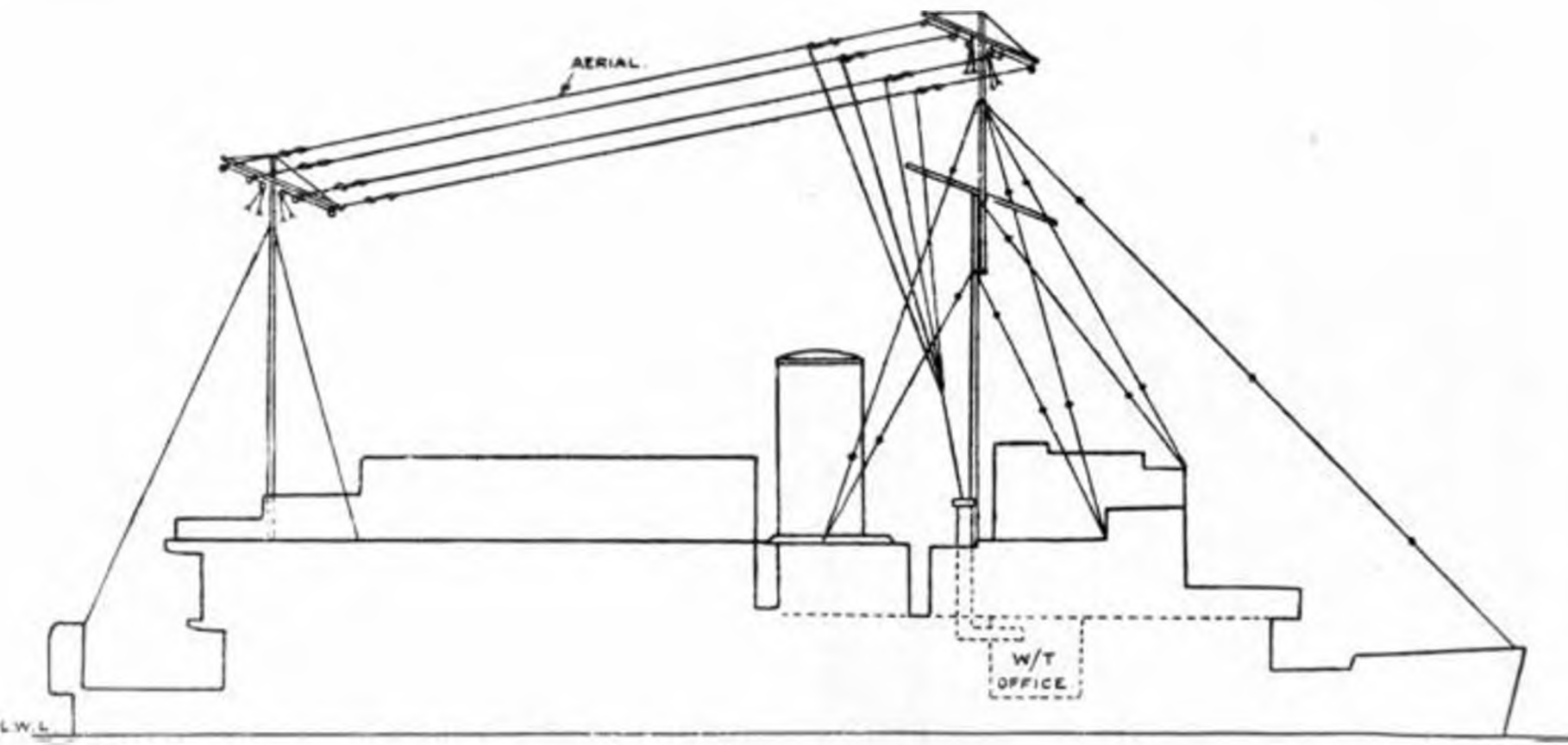


FIG 13