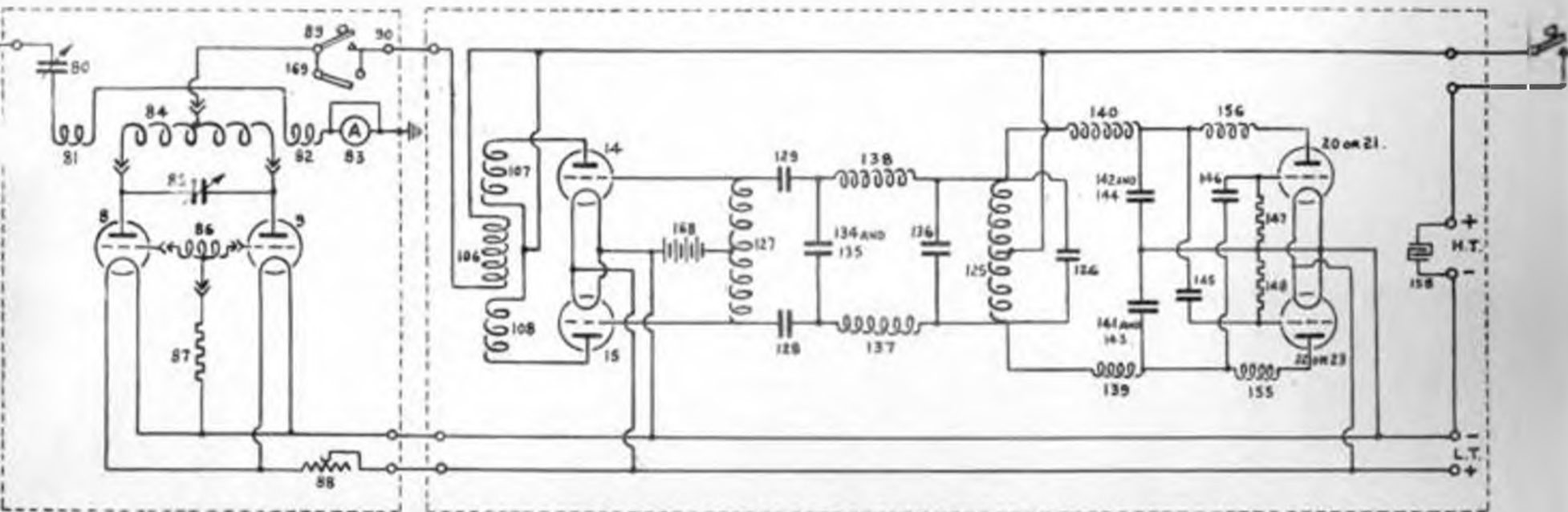


TYPE 75.

SIMPLIFIED DIAGRAM OF TRANSMITTING CIRCUIT.

(FOR 21 kc/s MODULATION).



1-4643.

ADMIRALTY

B.R.1389

AIR PUBLICATION

116E-0201-1

(formerly A.P.2555EA, Vol.1)

GROUP 116: RADIO
SUB-GROUP E: COMMUNICATIONS (GROUND)

**TRANSMITTERS TYPE
T.1131 SERIES
NAVAL WIRELESS SET TYPE 87Q
(TRANSMITTER 75C)**

GENERAL AND TECHNICAL INFORMATION

BY COMMAND OF THE DEFENCE COUNCIL

L. T. Dunnett

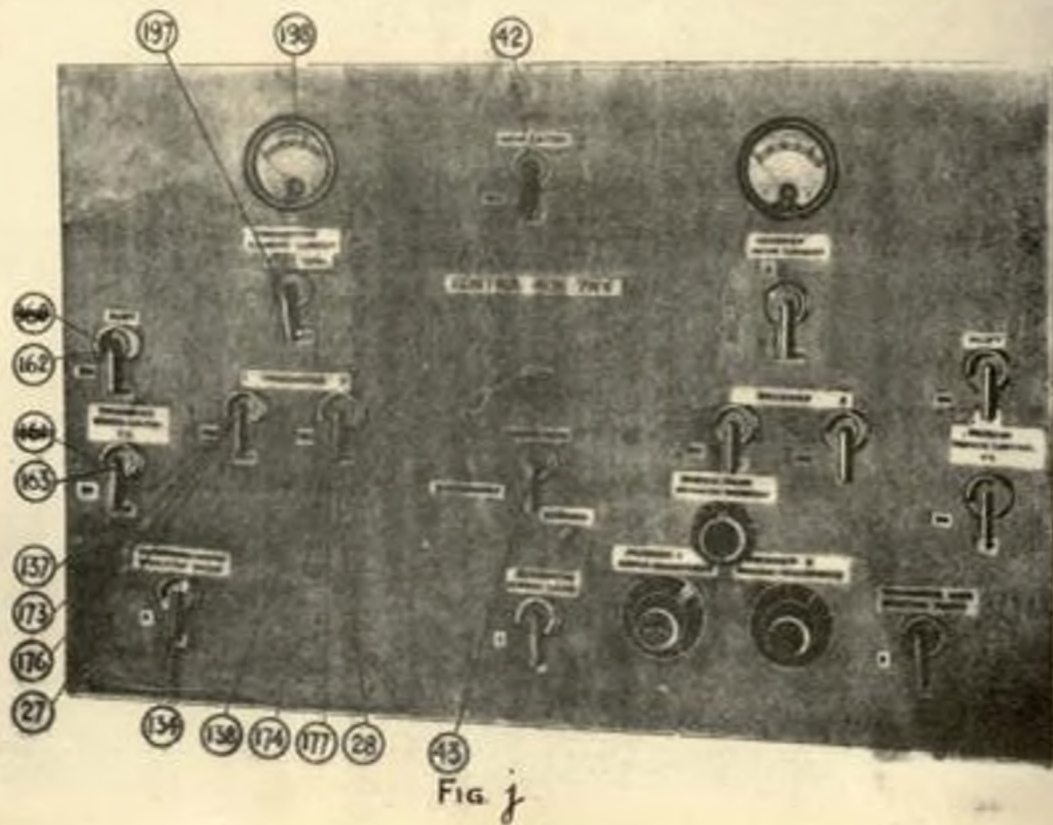
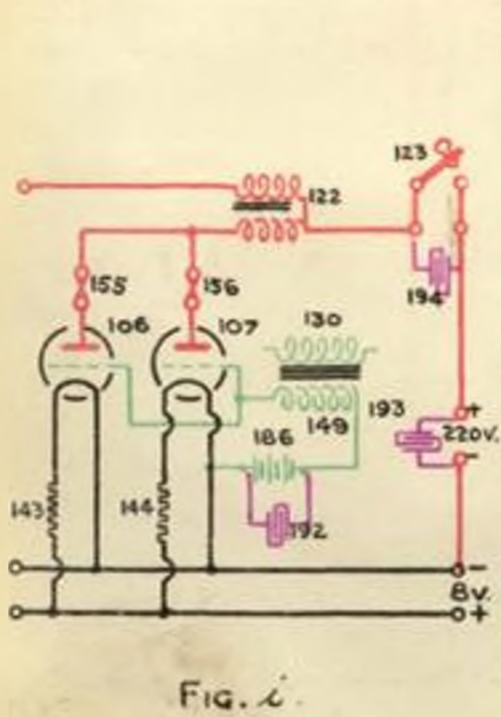
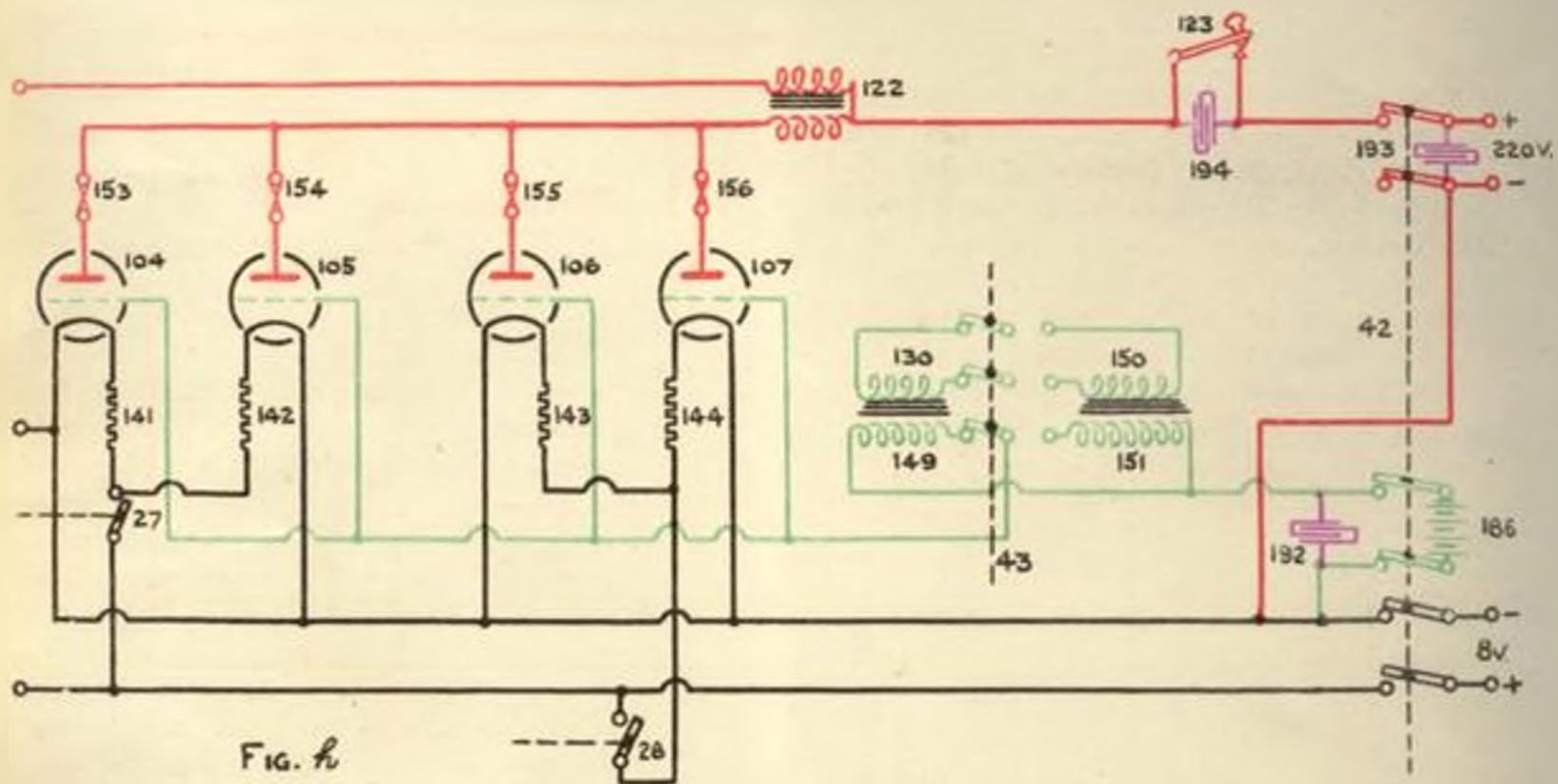
Ministry of Defence

**FOR USE IN THE
ROYAL NAVY
ROYAL AIR FORCE**

(Prepared by the Ministry of Technology)

A.L.18, Dec.67

FOR OFFICIAL USE ONLY



EQUIVALENT CIRCUIT.

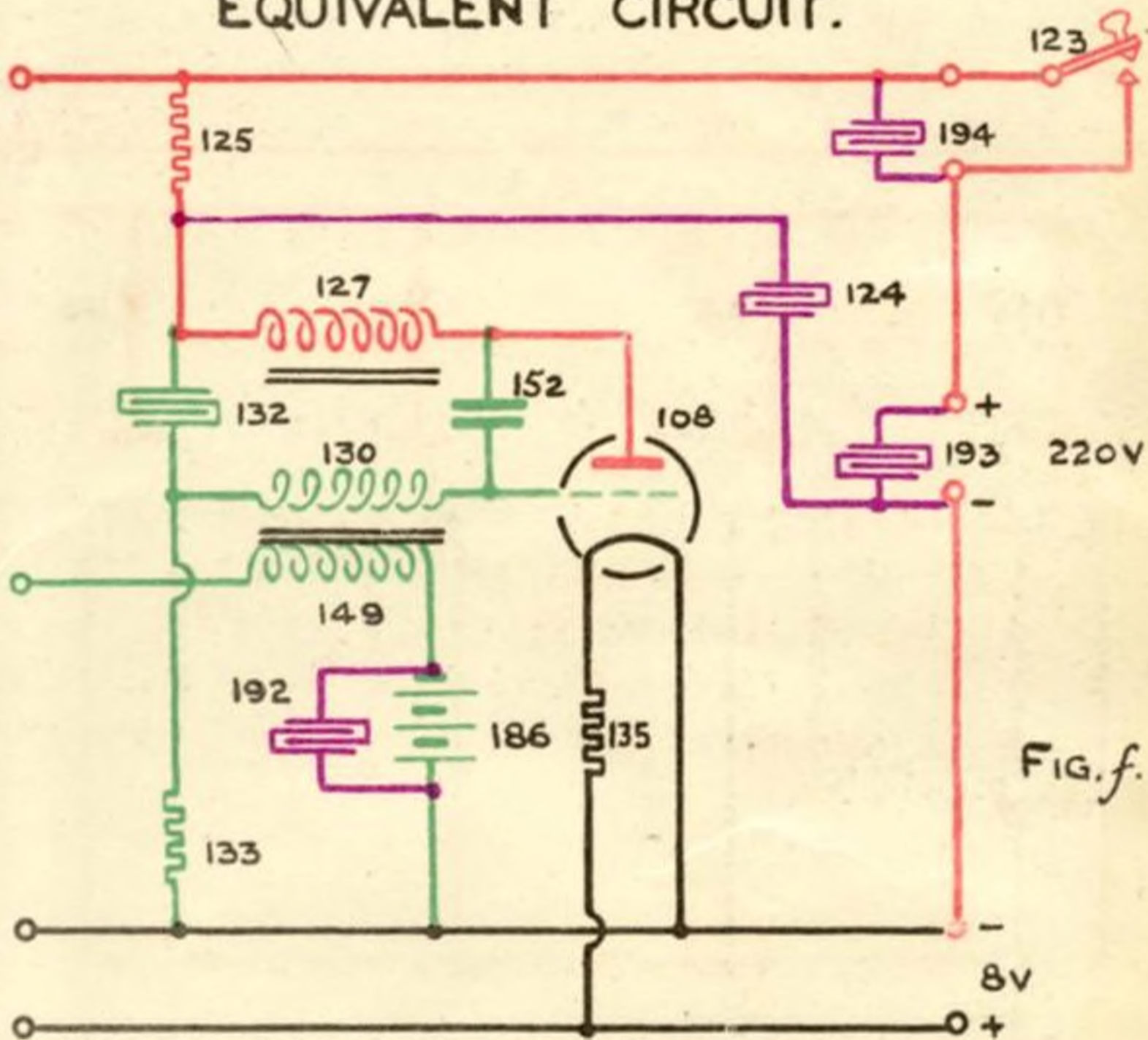


FIG. f.

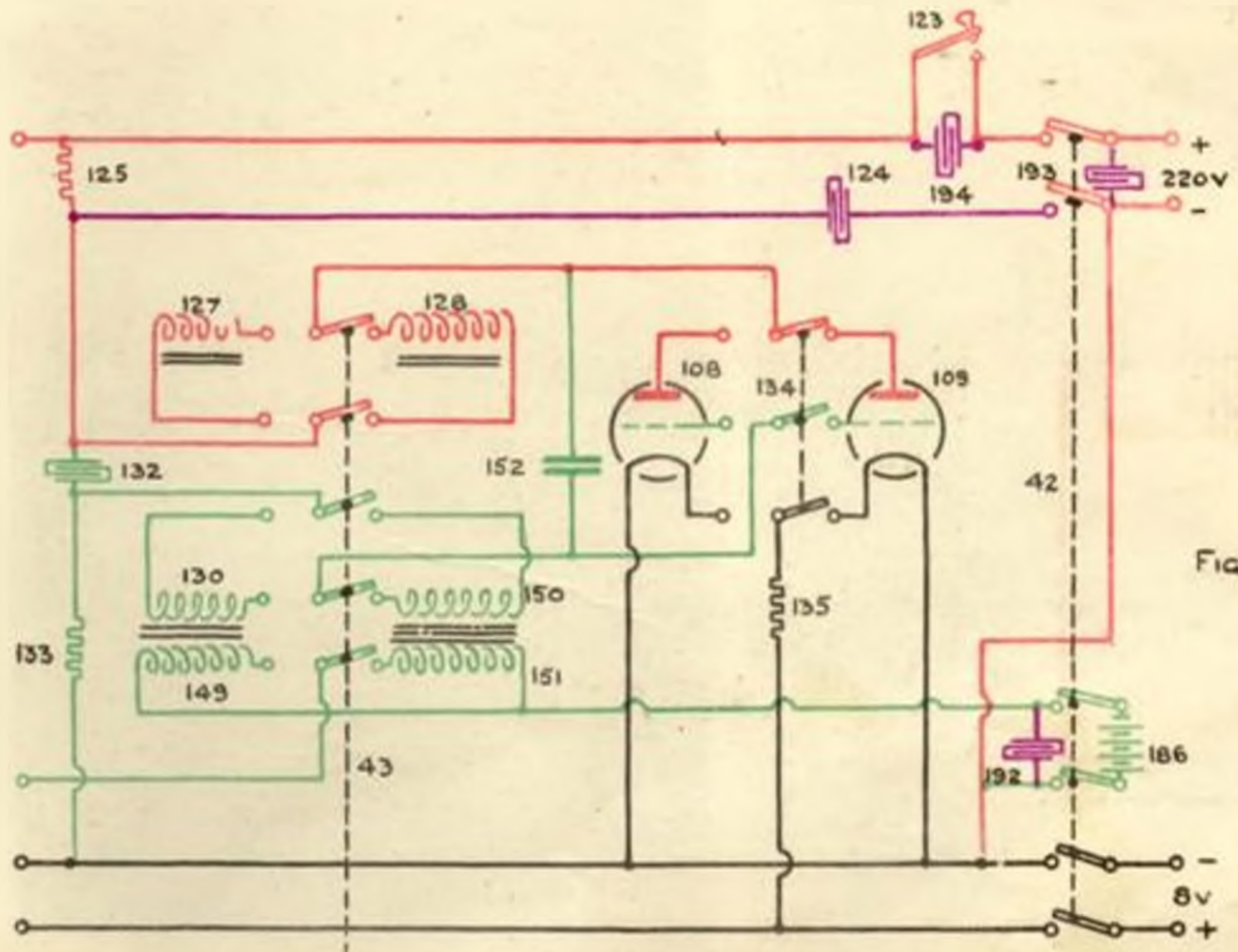


Fig. 9.

Main Modulator Equivalent

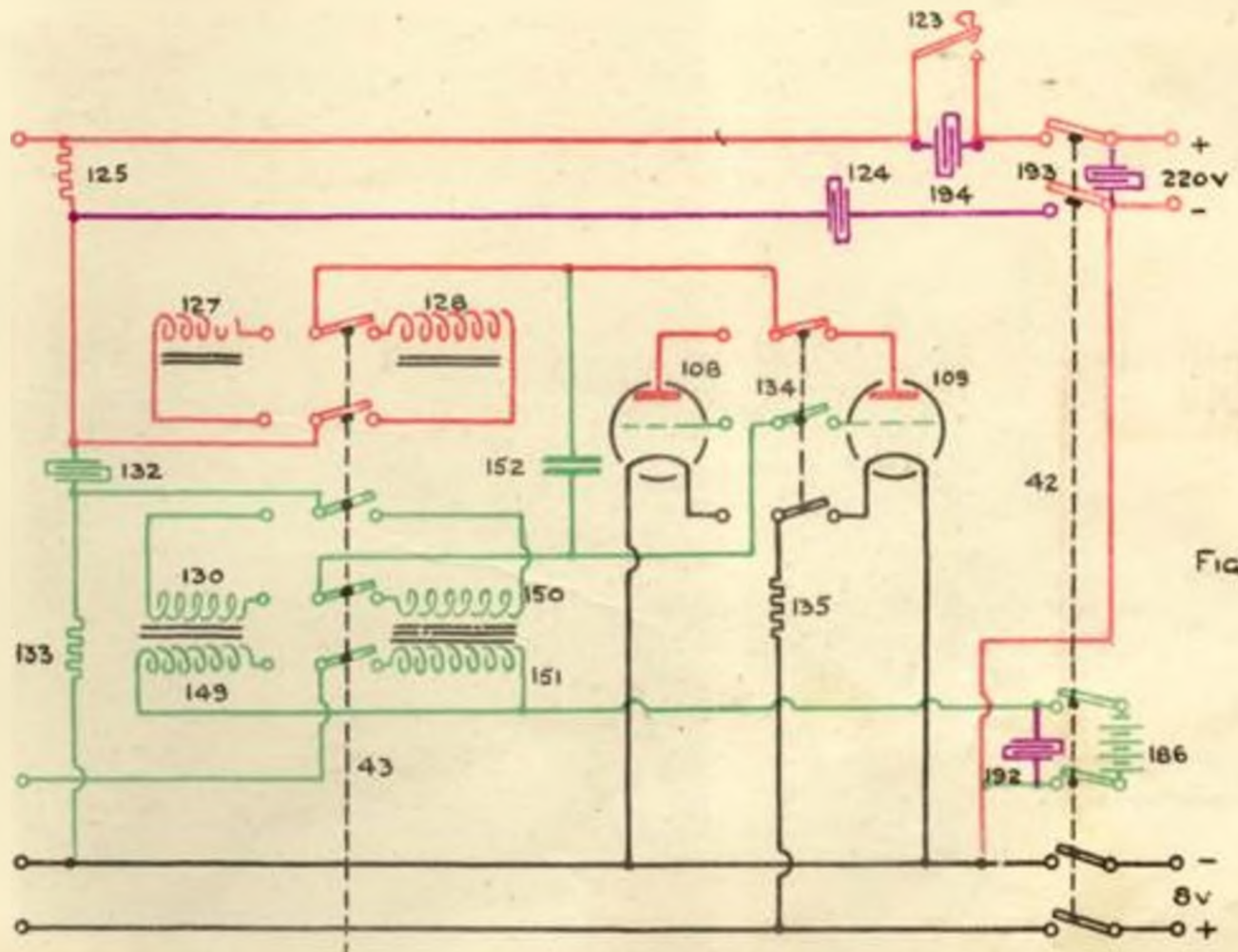


Fig. 9.

Main Modulator Equivalent Circuit Two

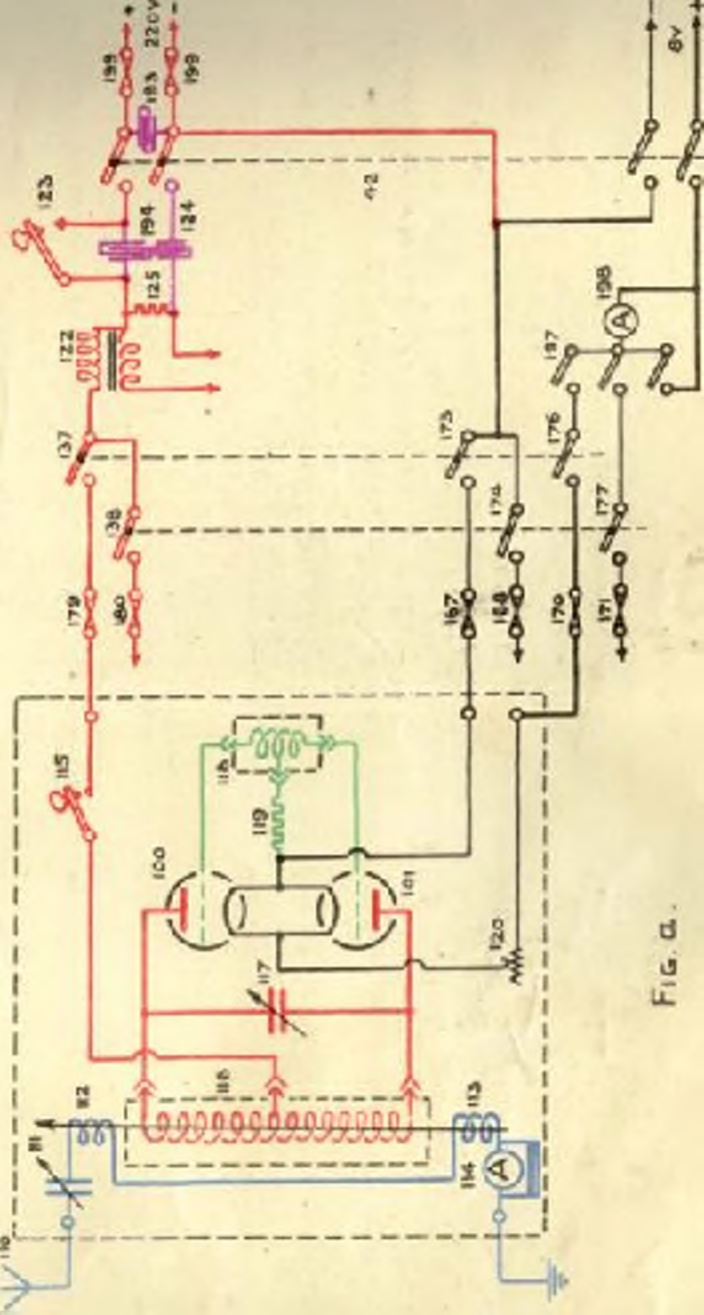
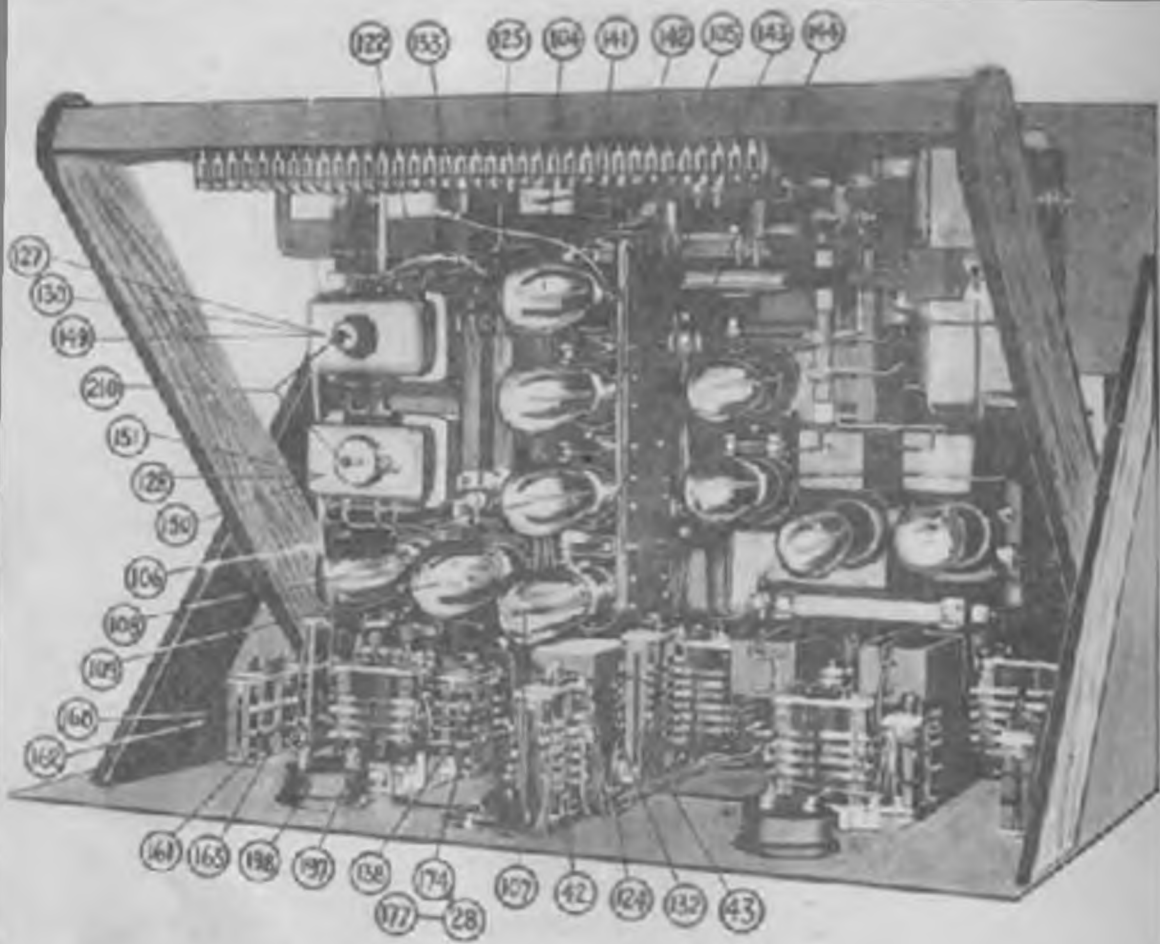
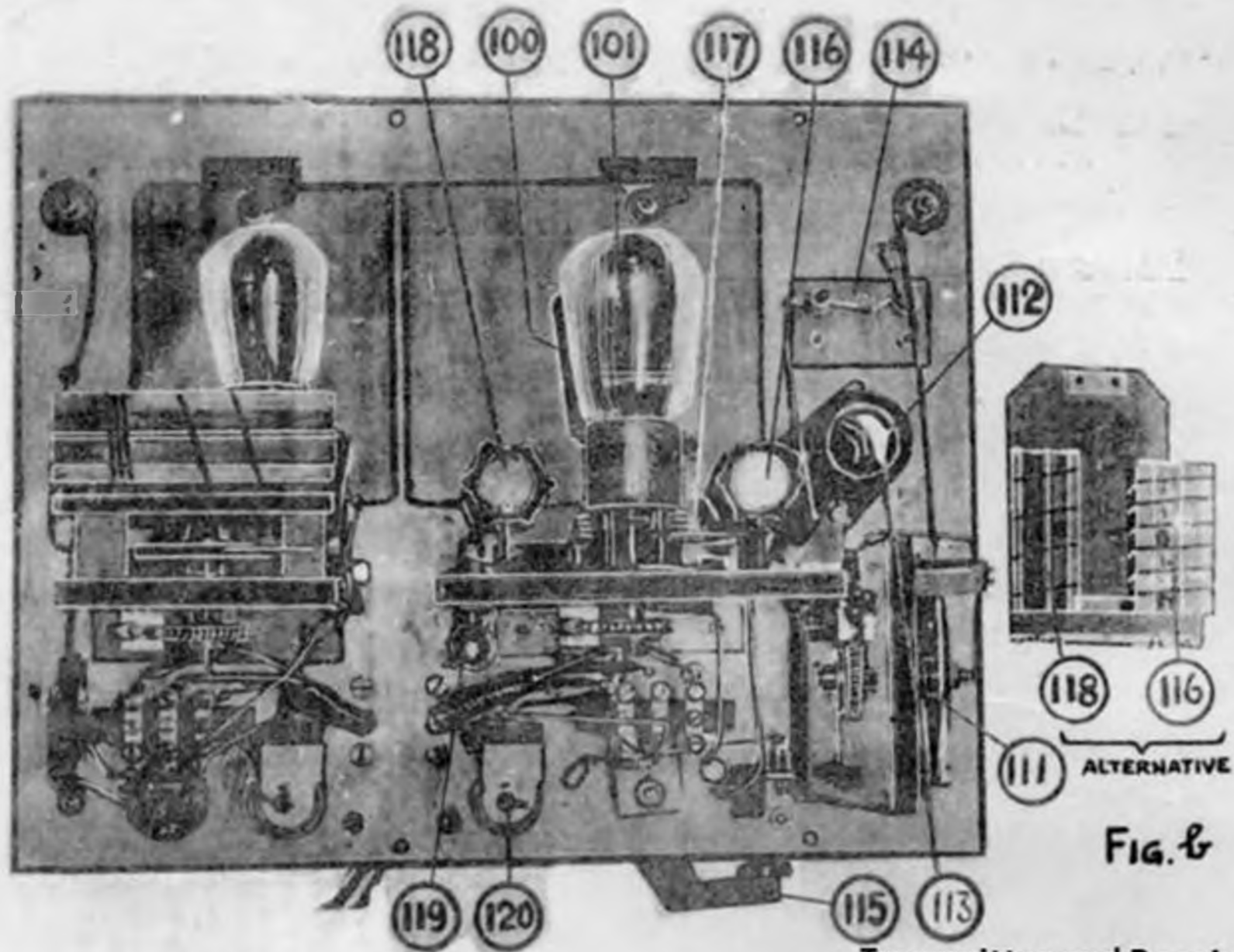


FIG. a.

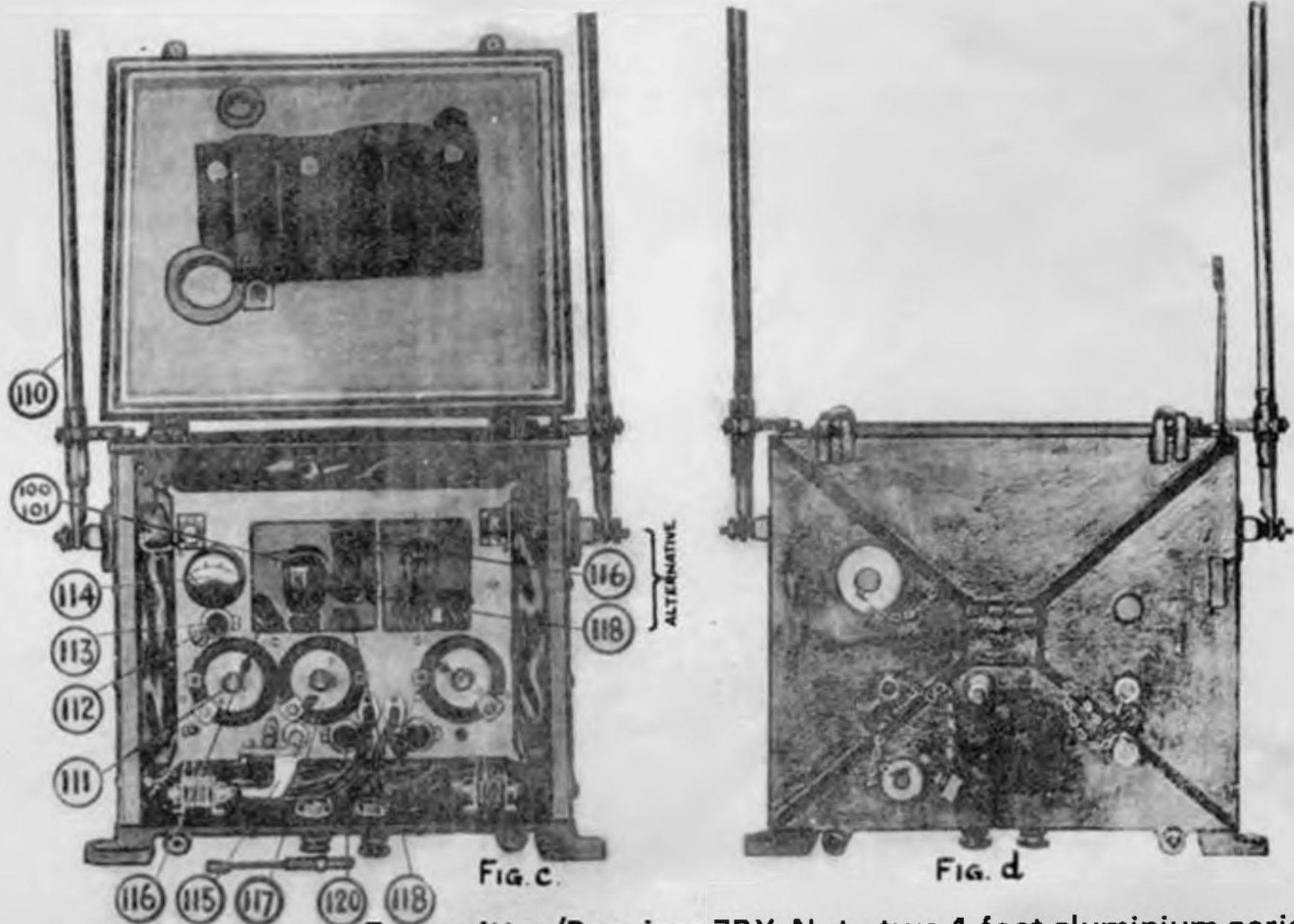


Master Modulator

Fig. e



Transmitter and Receiver 7RX



Transmitter/Receiver 7RX. Note two 4-foot aluminium aerials, the left hand one being the TX and the right the RX aerials.

CONTROL UNIT.

MASK IN POSITION.

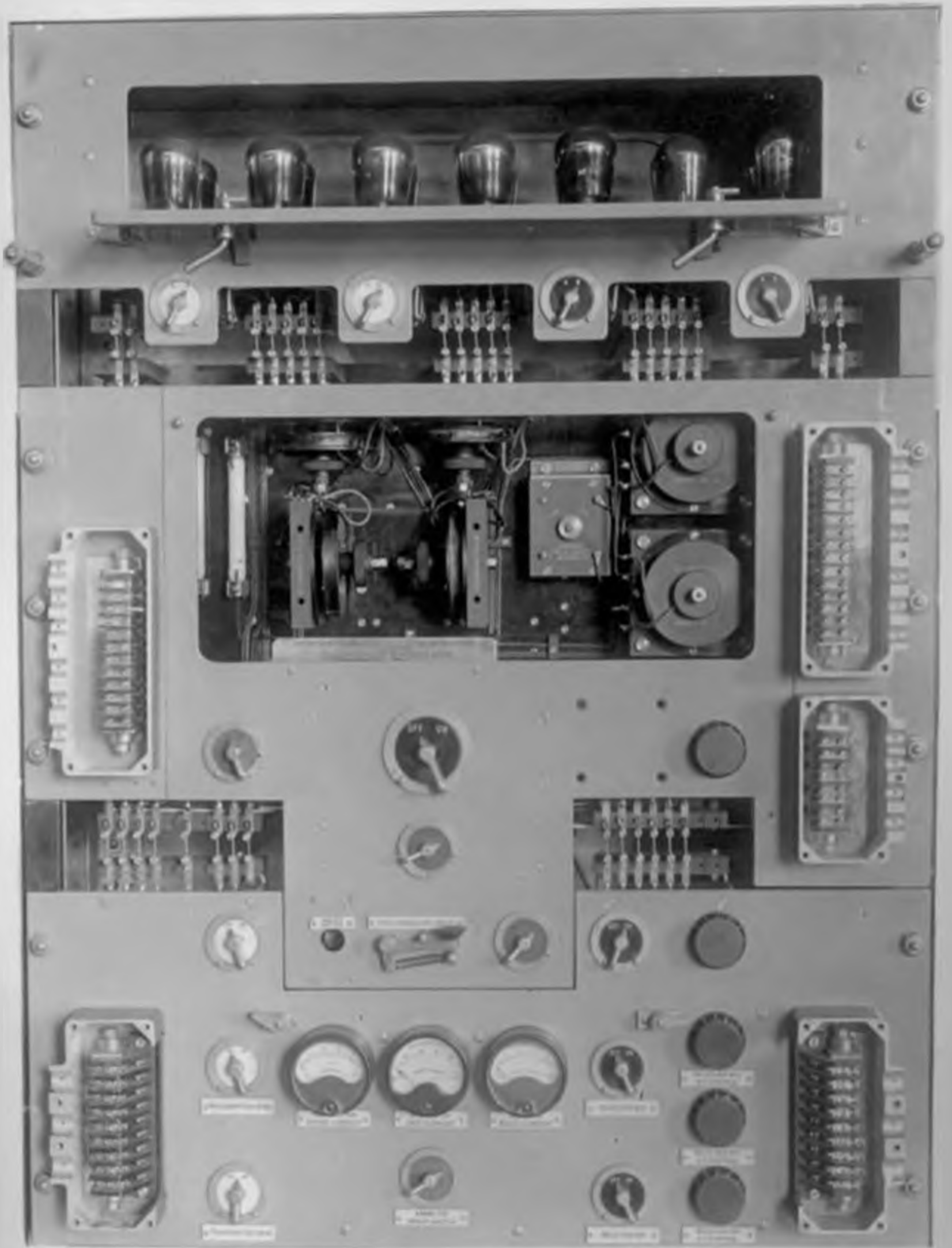


SS.3820.

FIG. 4.

CONTROL UNIT.

MASK REMOVED.



SS 3821.

FIG. 5.